

Han 10B-HCC-HC-DL-M32-black

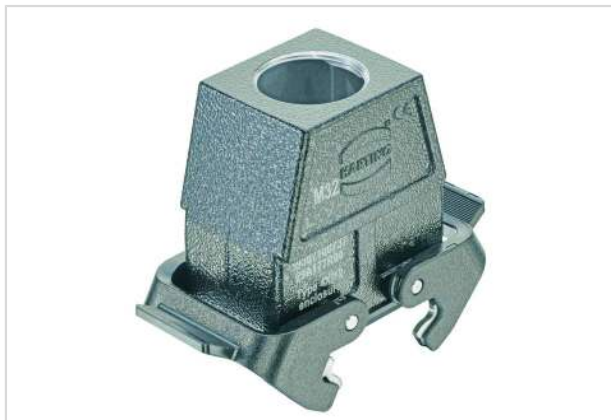


Image is for illustration purposes only. Please refer to product description.

Part number	19 30 710 0737
Specification	Han 10B-HCC-HC-DL-M32-black
HARTING eCatalogue	https://b2b.harting.com/19307100737

Identification

Category	Hoods/Housings
Series of hoods/housings	Han [®] B
Type of hood/housing	Cable to cable housing
Description of hood/housing	Black
Type	High construction

Version

Size	10 B
Version	Top entry
Cable entry	1x M32
Locking type	Double locking lever
Han-Easy Lock [®]	Yes
Field of application	Standard hoods/housings for industrial connectors

Technical characteristics

Limiting temperature	-40 ... +125 °C
Note on the limiting temperature	For use as a connector according to IEC 61984.
Degree of protection acc. to IEC 60529	IP65
Type rating acc. to UL 50 / UL 50E	4 4X 12

Material properties

Material (hood/housing)	Aluminium die-cast
-------------------------	--------------------



Pushing Performance
Since 1945

Material properties

Surface (hood/housing)	Powder-coated
Colour (hood/housing)	RAL 9005 (jet black)
Material (seal)	NBR
Material (locking)	Polycarbonate (PC) Stainless steel
Colour (locking)	RAL 9005 (jet black)
Material flammability class acc. to UL 94 (locking levers)	V-0

Specifications and approvals

CE	Yes
Approvals	DNV GL

Commercial data

Packaging size	1
Net weight	195.8 g
Country of origin	Germany
European customs tariff number	85389099
GTIN	5713140279742
ETIM	EC000437
eCl@ss	27440202 Shell for industrial connectors