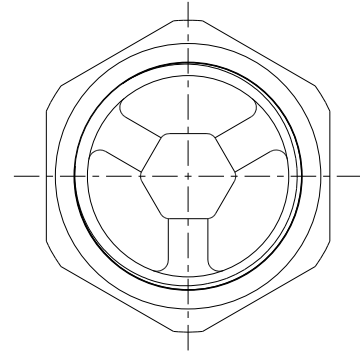
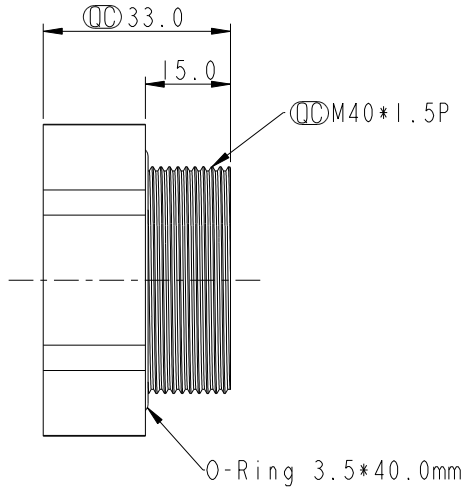
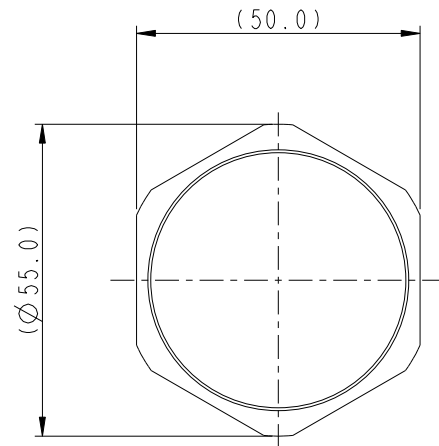
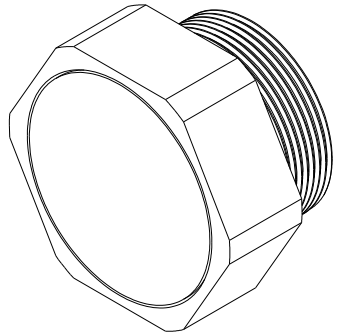
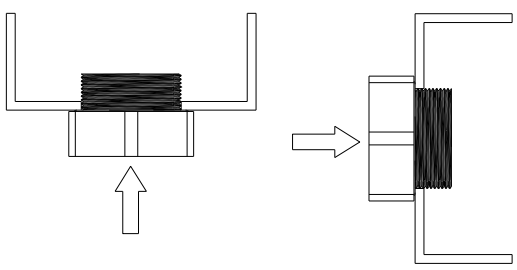


THIS DOCUMENT IS SUBJECT TO CHANGE WITHOUT NOTICE. IT IS CONFIDENTIAL AND A PROPERTY OF AMPHENOL LTW. DISCLOSURE TO THIRD PARTY HAS TO BE AUTHORIZED BY AMPHENOL LTW.

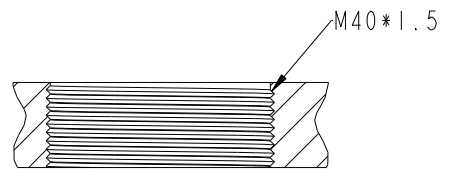
REV.	ECN NO.	DATE	SIGN	DESCRIPTION
A		2023-01-06	Kyle Huang	New Item



VENT-MS5NME-08002
 S5: M40*1.5 — ME: Metallic



Recommended installation orientation
 建議安裝朝向



Recommended Panel Cut-Out
 建議開孔尺寸

- Note:
- * \varnothing Important Dimension.
 - * Waterproof Rate: IP68(2m/1h), IP69K
 - * Body: Aluminum Alloy, Anodizing
 - * Cap: Aluminum Alloy, Anodizing
 - * Membrane: ePTFE
 - * O-Ring: Silicone, UL94V-0
 - * Air Permeability: >3000ml/min @70mbar
 - * Opening Pressure: 6±2KPa
 - * Recommended Torque: 3.5~5.5N.m

UNIT: mm		TITLE VENT, M40, METAL, SPRING LOADED		Amphenol LTW		ITEM NO. VENT-MS5NME-08002	DRAWN BY Kyle Huang	DATE 2023-01-06
		TOLERANCE .X ±0.25 .XX ±0.1 .XXX ±0.05 ANGLES ±1°	SCALE 3/4	SIZE A4	SHEET 1 OF 1	安費諾亮泰企業股份有限公司	DWG NO. VENT-MS5NME-08002	CHECKED BY Fisher Wang
		REV. A	WC-REV. .0	\varnothing : Inspection item		CUSTOMER ALTW	APPROVED BY Max Yang	DATE 2023-01-06