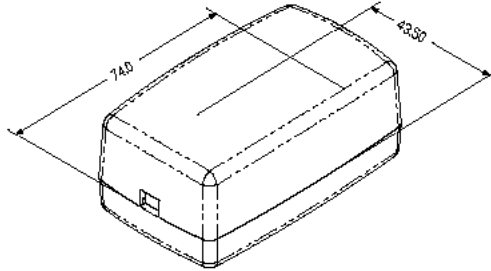
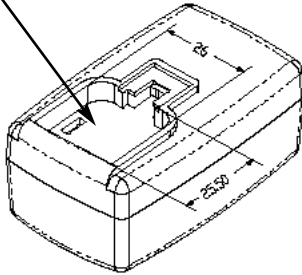


PROPRIETARY INFORMATION: PROPRIETARY OF GLOBTEK, INC. ANY REPRODUCTION, DISCLOSURE OR USE OF THIS DRAWING, IN WHOLE OR IN PART, IS HEREBY PROHIBITED EXCEPT AS SPECIFIED IN WRITING BY GLOBTEK, INC.	REVISION			
	REV	DESCRIPTION	DATE	APPROVED
	A	INITIAL RELEASE, RFS. 20845, JS	05/02/11	HM



STANDARD OPTION SHIPS WITHOUT AC PINS INSTALLED

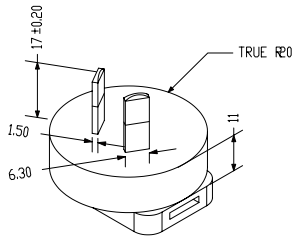


1. MATERIAL

HIGH IMPACT PLASTIC, 94V0 POLYCARBONATE, NON-VENTED, COLOR GLOBTEK WHITE 057

2. INPUT CONNECTOR:

AUSTRALIAN AS 3112 CONFIGURATION: SAA 2 PINS CLASS II



P/N: Q-SAA-WH(R)
AUSTRALIA

Foot Note: Globtek Inc. will not be liable for the safety and performance of these power supplies if unauthorized access and repair occurs. End user should consult applicable UL, CSA or EN standards for proper installation instructions	DASH NO.	PART NO	REV.	DESCRIPTION	NOTES
	TABULATION BLOCK				
Limitation of Use: Globtek product are not authorized for use as mission critical components in life support, hazardous environment, nuclear or aircraft applications without prior written approval from the CEO of Globtek Inc.	TOLERANCES: DECIMALS ANGULAR .xx +/- 0.1 +/- 1' .xxx +/- .005		GlobTek, Inc. 186 Veterans Dr. Northvale, NJ 07647 Tel. 201-784-1000 Fax 201.784.0111 www.globtek.com		
	INIT.BY: JS	DATE: 05/02/11	MILLIMETERS ANGULAR .xx +/- 0.3 +/- 1' .xxx +/- .013	DWG TITLE: AUSTRALIAN INTERCHANGEABLE INPUT BLADES	
DRAWN: NF	DATE: 05/02/11	FSCN No.: G, N	SIZE A	MODEL NO: N/A	REV. A
APRVD: HM	DATE: 05/02/11	SCALE: NONE	PART NO: Q-SAA-WH(R)	SHEET 1 OF 2	

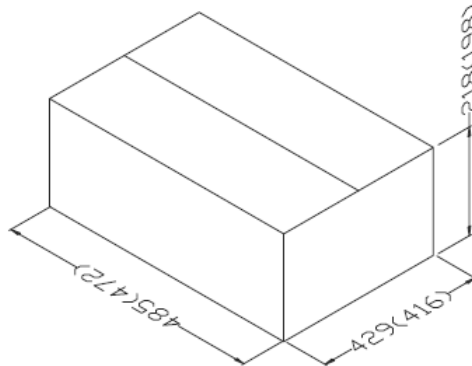
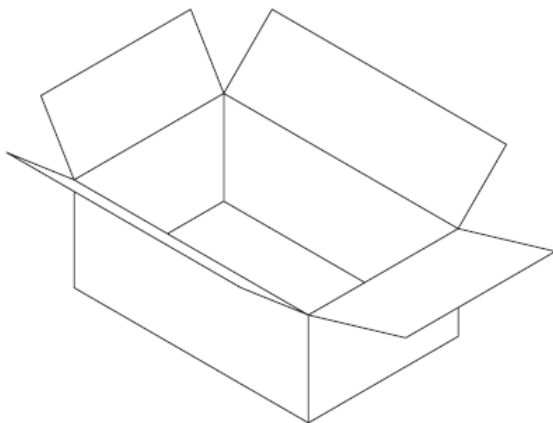
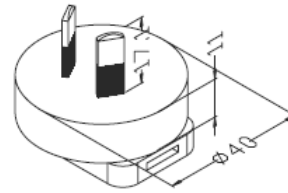
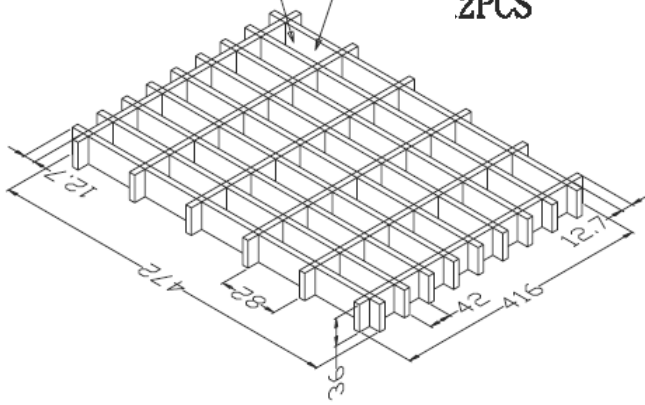
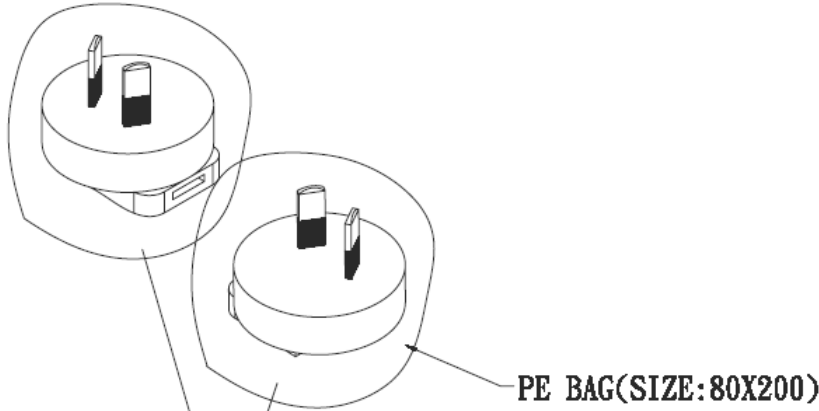
PROPRIETARY INFORMATION:
 PROPRIETARY OF GLOBTEK, INC. ANY REPRODUCTION, DISCLOSURE OR
 USE OF THIS DRAWING, IN WHOLE OR IN PART, IS HEREBY
 PROHIBITED EXCEPT AS SPECIFIED IN WRITING BY GLOBTEK, INC.


3. PACKING:

CARTON SIZE: 485 x 429 x 218

Q'TY: 400 pcs (80 x 5)

UNIT BAG LABEL



 GlobTek, Inc. www.globtek.com	186 Veterans Dr. Northvale, NJ 07647 Tel. 201-784-1000 Fax 201.784.0111	
	DWG TITLE: AUSTRALIAN INTERCHANGEABLE INPUT BLADES	
MODEL NO: N/A	REV. A	
PART NO: Q-SAA-WH(R)	SHEET 2 OF 2	