

4

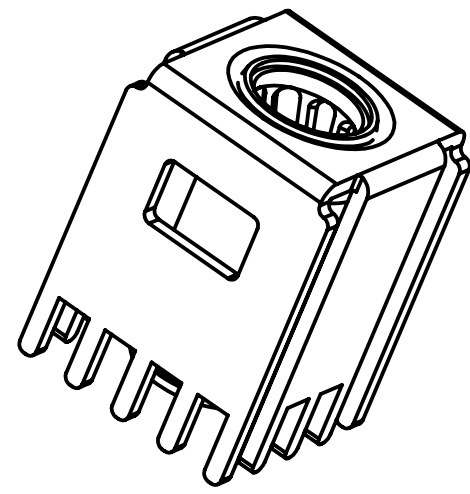
3

2

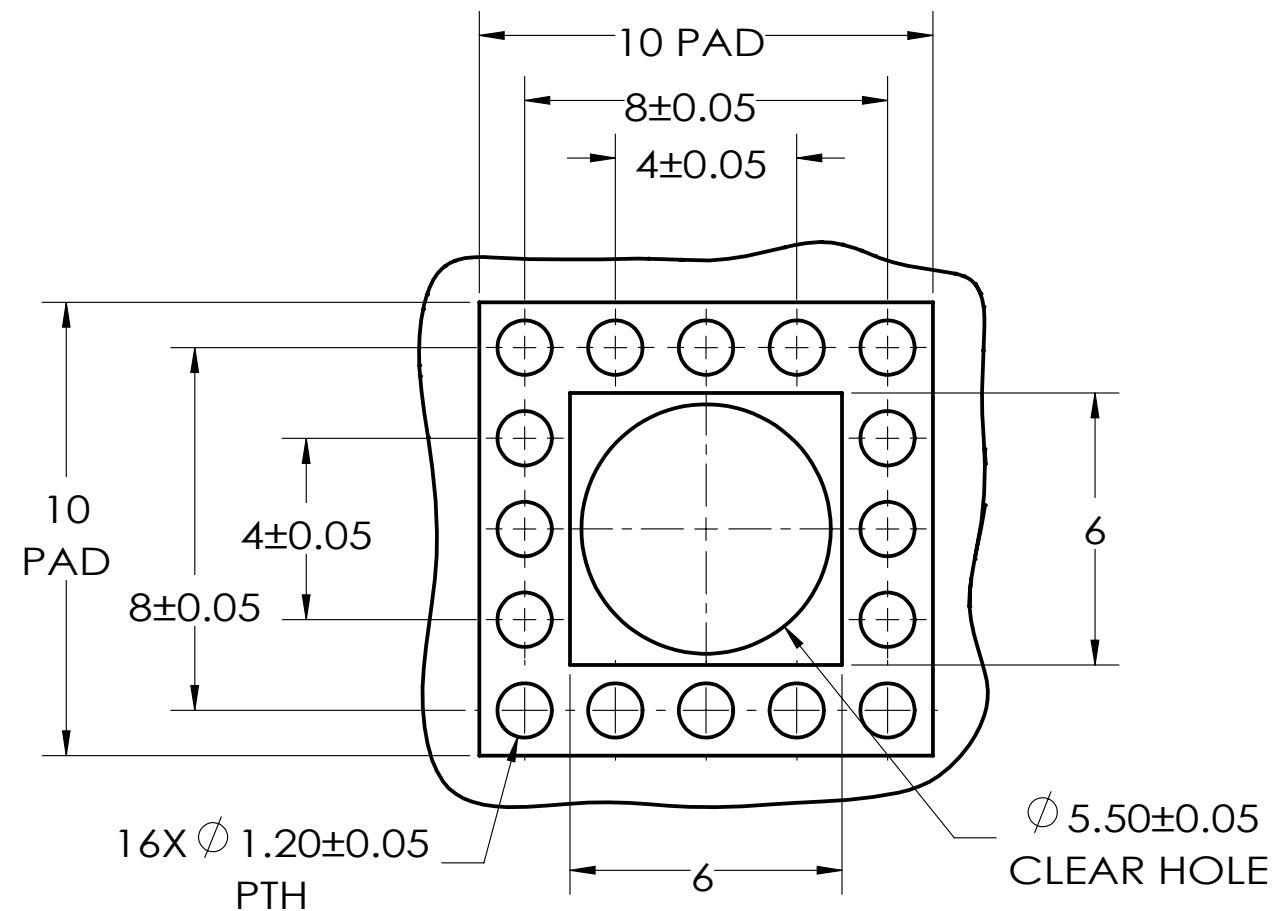
1

CUSTOMER DRAWING

REVISION			
ZONE	REV.	DESCRIPTION	DATE
	A	INITIAL RELEASED	2020/11/12



SCALE 4:1



RECOMMEND PCB LAYOUT

4. SPECIFICATIONS:
 SURFACE FINISH:
 RADSOK: SILVER 150U" MIN OVER NICKEL 50U" MIN.
 PGY HOLDER: TIN 100U" MIN OVER NICKEL 50U" MIN.
 RATED CURRENT: 70A MAX.

3. MATERIAL:
 RADSOK: COPPER ALLOY.
 PGY HOLDER: COPPER.

2. PARTS SHOWN MATES WITH 3.6MM NOMINAL PIN.

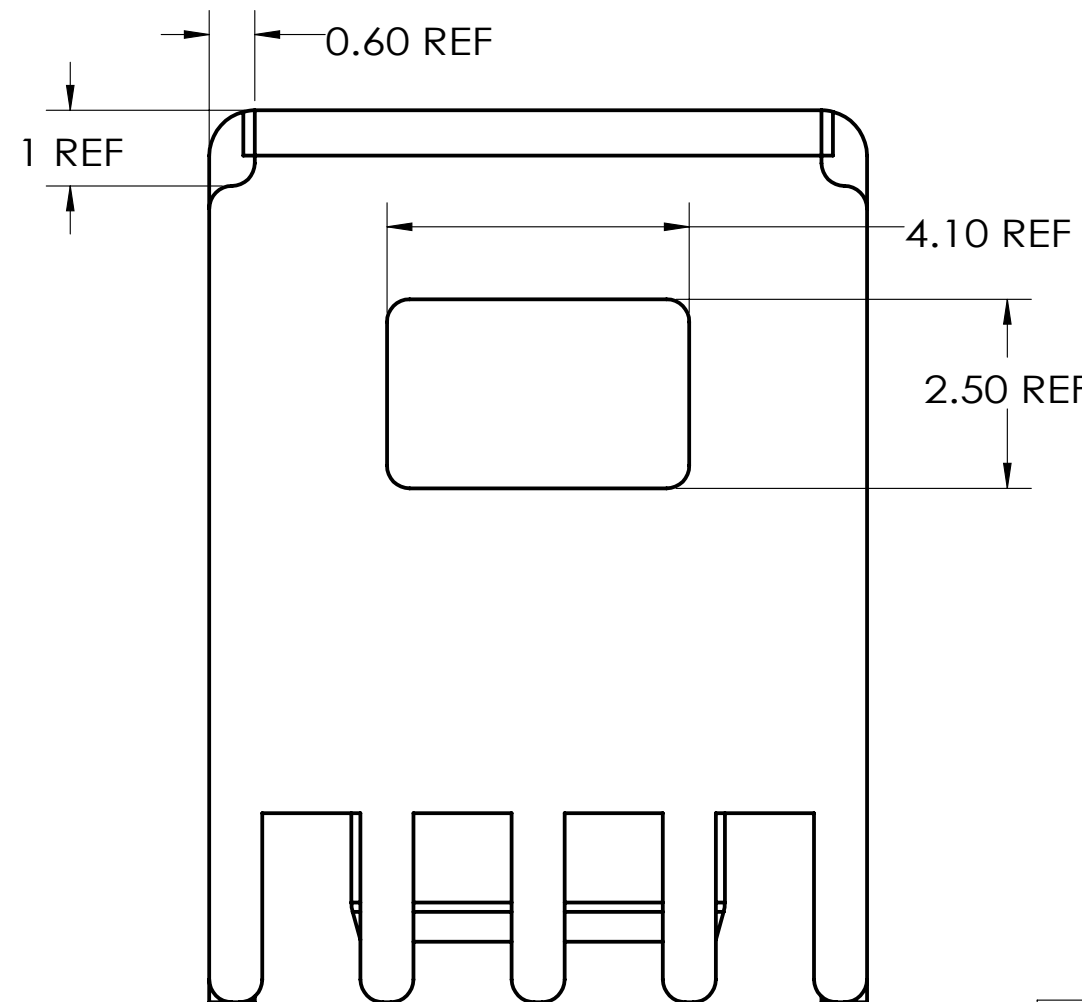
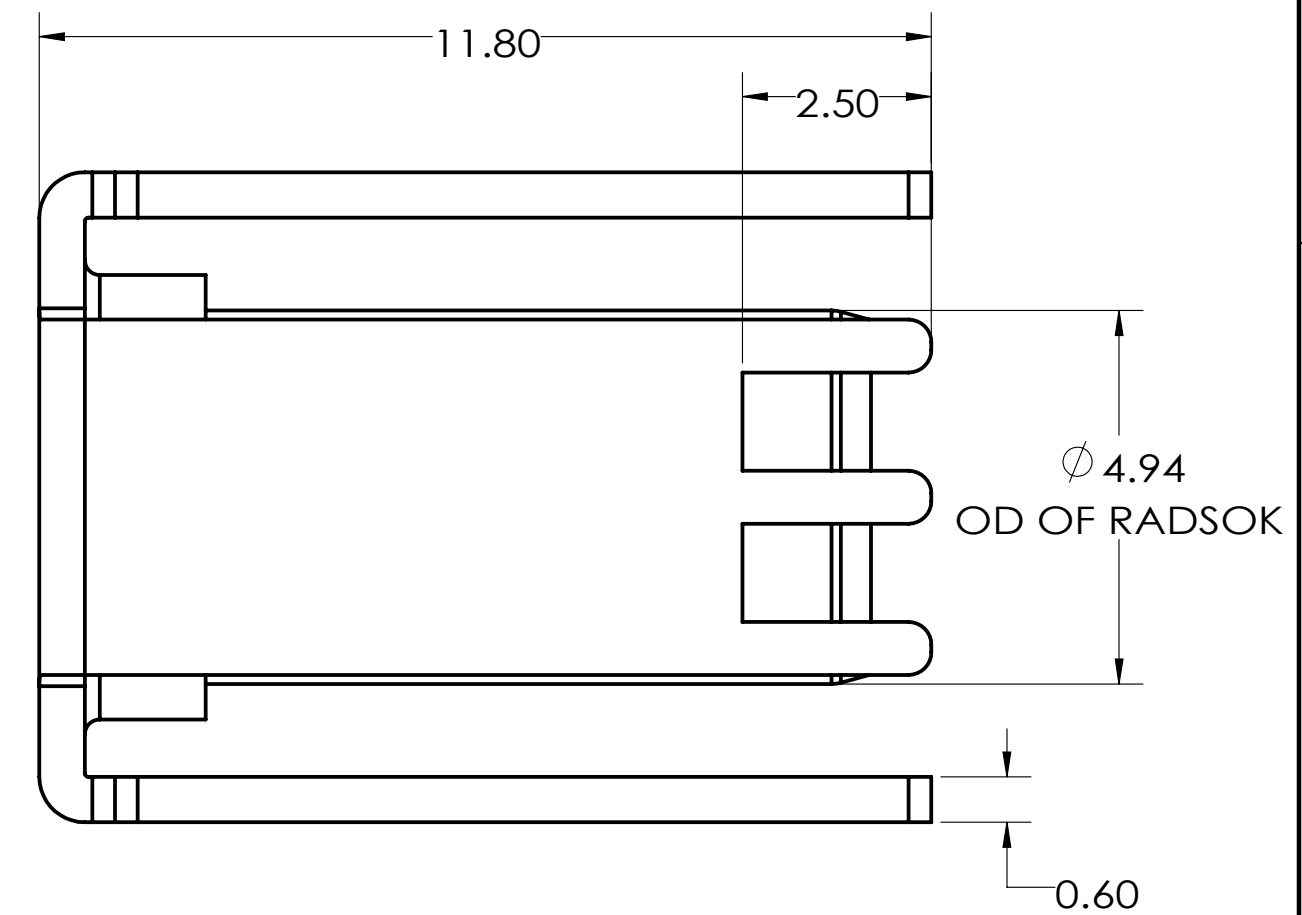
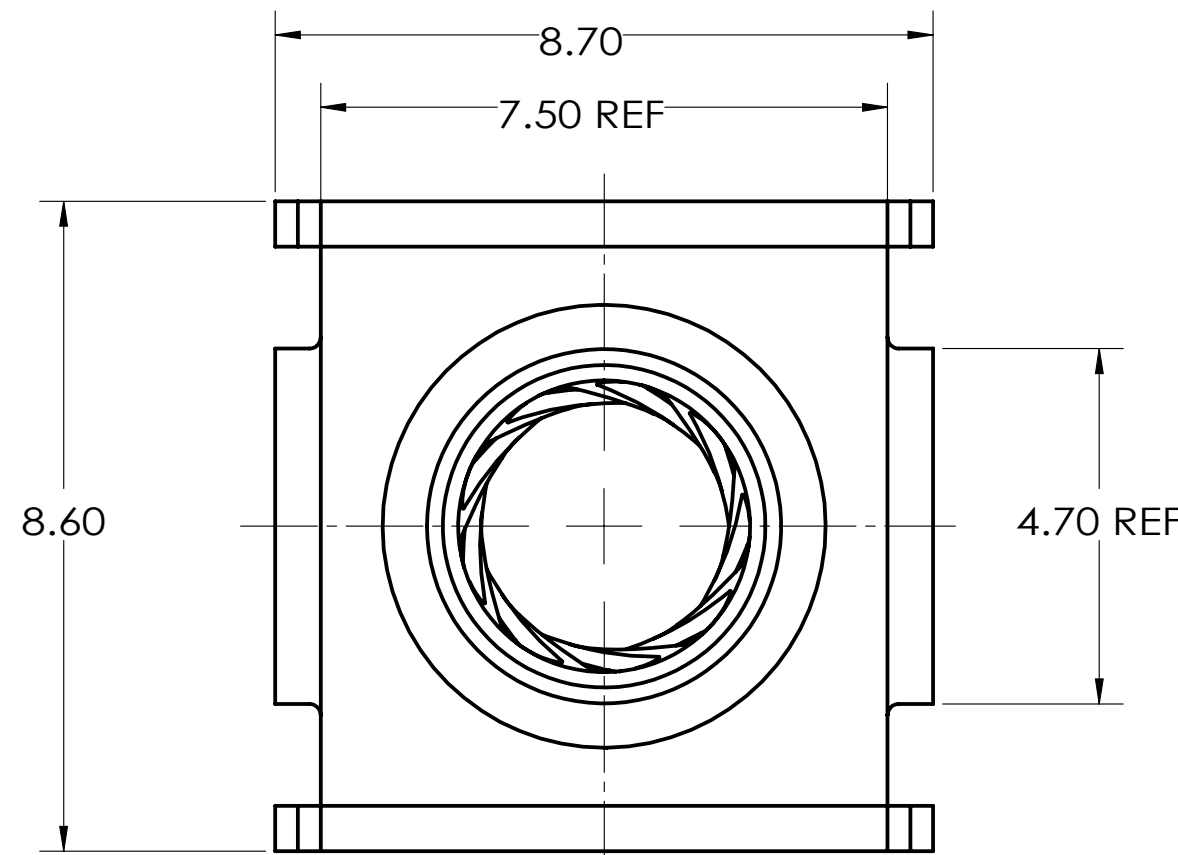
1. THE REFERENCED PRODUCT SHALL BE COMPLIANT TO RoHS DIRECTIVE.

NOTES

THIS DOCUMENT CONTAINS PROPRIETARY INFORMATION AND SUCH INFORMATION MAY NOT BE DISCLOSED TO OTHERS FOR ANY PURPOSE OR USED FOR MANUFACTURING PURPOSES WITHOUT WRITTEN PERMISSION FROM THE AMPHENOL CORP.

Next Assembly

AMPHENOL P/N
 C10-763569-000T



BILL OF MATERIALS				
ITEM NO.	PART NUMBER	DESCRIPTION	QTY.	UNITS
1	-	PGY HOLDER	1	PCS
2	-	3.6MM RADSOK	1	PCS

UNLESS OTHERWISE SPECIFIED		APPROVALS		DATE
LINEAR DIMENSIONS ARE IN MILLIMETERS		PREPARED BY:	ROSAN HUANG	2020/11/12
TOLERANCES:		LEAD/PRODUCT ENGINEER:	ROSAN HUANG	
DIM. RANGE 0.5-3 >3-6 >6-30 >30-120 >120-400		ENGINEERING MANAGER:	ROB WENG	
TOLERANCE ±0.1 ±0.1±0.2 ±0.3 ±0.5		PRODUCT GROUP:	C&I	
ANGLES = ±2°		AIPG DIVISION:	ATZ	
DIM. & TOL. PER ASME Y14.5M-1994;		MATERIAL SPEC	PROCESS SPEC	
DRM PER MIL-DTL-31000;		SEE NOTE 3	SEE NOTE 4	
OTHER AMPHENOL STANDARDS: 9-9318				
THIRD ANGLE PROJECTION				

AMPHENOL CORPORATION
 Amphenol Technology (Zhuhai) Co. Ltd.
 No. 63 Xinghan Road, Sanzao Town, Jinwan, Zhuhai, PRC
3.6MM WTB REC, LONG SOLDER TAILS U

SIZE	CAGE CODE	DOCUMENT NUMBER	REV
C	77820	10-763569-000T	A
SCALE: 5:1		REF: 10-763569	SHEET 1 OF 2

4

3

2

1

CODE NUMBER OF WTB CONNECTORS

CODE NUMBER: WTB XXX X X XXX XXX X

CONNECTOR SERIES
WTB: WIRE TO BOARD CONNECTORS

RADSOK SIZE
XXX: RADSOK SIZE, XX.X MM
SUCH AS: "036" MEANS "3.6"MM

MATING PROPERTY
SUCH AS "X" =P, MEANS PIN SIDE
"X" =S, MEANS SOCKET SIDE

PACKAGE
"X" OMITTED MEANS TRAY
"X"="R" MEANS TAPE & REEL

LENGTH OF SOLDER TAILS
"XXX" MEANS "X.XX"MM
SUCH AS "354" MEANS "3.54"MM

HEIGHT OVER BOARD
"XXX" MEANS "XX.X" MM
SUCH AS "136" MEANS "13.6"MM

DIRECTION OF MATING
SUCH AS "X"=R, MEANS RIGHT ANGLE
"X"=V, MEANS VERTICAL

CODE NUMBER	M P/N
WTB036SV093250	C10-763569-000T

THIS DOCUMENT CONTAINS PROPRIETARY INFORMATION AND SUCH INFORMATION MAY NOT BE DISCLOSED TO OTHERS FOR ANY PURPOSE OR USED FOR MANUFACTURING PURPOSES WITHOUT WRITTEN PERMISSION FROM THE AMPHENOL CORP.

SIZE	CAGE CODE	DOCUMENT NUMBER	REV
C	77820	10-763569-000T	A
SCALE: 10:1		REF: -	SHEET 2 OF 2