



**Electrical specifications**

**Cutoff Frequency (FC):** 400 MHz  
**Passband:** 0-400 MHz  
**Insertion loss @Passband:** 0.3 dB Max  
**Return loss @Passband:** 18 dB Min  
**Rejection @ 300-3000 MHz:** 80 dB Min  
**Rejection @ 3000-5000 MHz:** 70 dB Min

**Power Handling:** 100 W

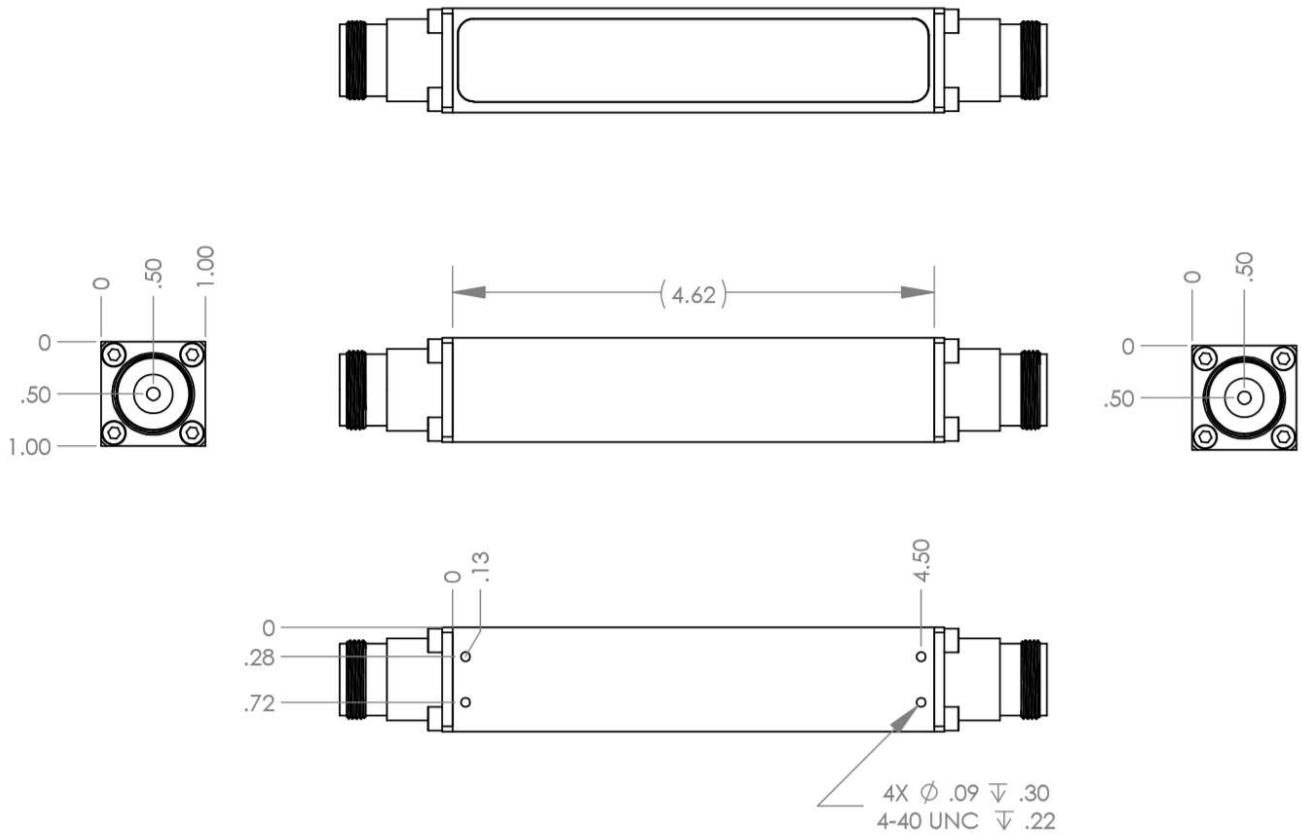
**Mechanical**

**Mounting Method:** N-Type (F)  
**Dimensions:** 4.62 x 1.0 x 1.0 Inches

**Operating Temperature:** -40 to +70° C  
**Storage Temperature:** -40 to +85° C

Rev A DS12022021-01

**Outline Drawing:**



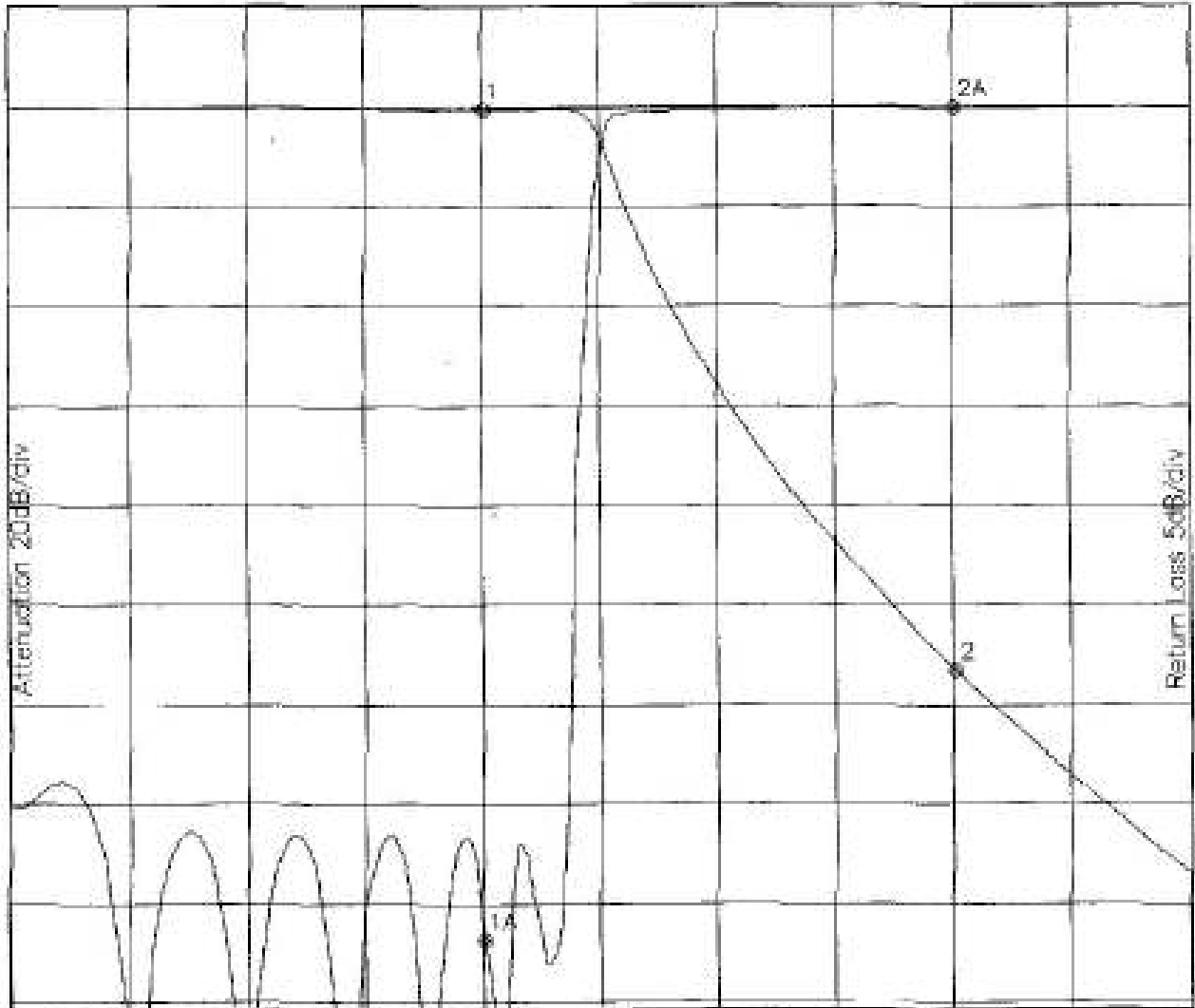


### Response Plot

A.3989.lod

MAY 13, 2009

Attenuation/Return Loss



Attenuation Start: 0.1GHz Stop: 1000.0MHz

Return Loss Start: 0.1GHz Stop: 1000.0MHz

Marker 1 Freq: 400.64MHz Atten: -0.298dB

Marker 1A Freq: 400.64MHz Ret Loss: -41.881dB

Marker 2 Freq: 801.29MHz Atten: -113.060dB

Marker 2A Freq: 801.29MHz Ret Loss: 0.000dB

*\* Shown is a simulated response plot, actual results may differ.*