

Flat suction pad (round)

SFF 25 HT1-60 G1/8-AG

Part no...:10.01.01.14278

<https://www.schmalz.com/10.01.01.14278>

Home > Vacuum Technology for Automation > Vacuum Components > Vacuum Suction Cups > Suction Cups for the Electronics Industry > Suction Cups SFF / SFB1 > SFF 25 HT1-60 G1/8-AG

Flat suction cup (round) for dynamic handling of thin and flexible workpieces



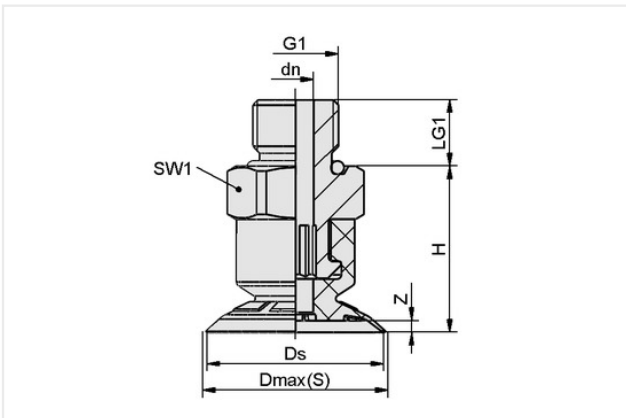
Size: 25

Suction cup material: High temp material HT1

Material hardness [Shore A]: 60 Shore A

Number of folds: 0

Design Data



Attribute	Value
G1	G1/8"-M
Dmax(S)	26.50 mm
Ds	25 mm
dn	4 mm
LG1	7.50 mm
H	19.20 mm
SW1	14 mm
Z (Stroke)	1.70 mm

Technical Data

Attribute	Value
Size	25
Suction cup material	High temp material HT1
Suction force (-600mbar)	18.50 N
Product family	SFF
Volume	1.20 cm ³
Number of folds	0
Material hardness [Shore A]	60 Shore A

Contact Schmalz

Schmalz Inc. | 5850 Oak Forest Drive, Raleigh, NC 27616, United States | +1 (919) 713-0880 | schmalz.us@schmalz.com

Flat suction pad (round)

SFF 25 HT1-60 G1/8-AG

Part no...:10.01.01.14278

<https://www.schmalz.com/10.01.01.14278>

Spare parts



SFF 25 HT1-60 SC040

Part no...:10.01.01.14053

Size: 25

Suction cup material: High temp material HT1

Material hardness [Shore A]: 60 Shore A

Number of folds: 0



SC 040 G1/8-AG

Part no...:10.01.06.02490

Connection geometry: 040

Connection: G1/8"-M

Length L1: 20.2 mm

Fitting length: 6 mm

Nominal diameter dn: 4.1 mm