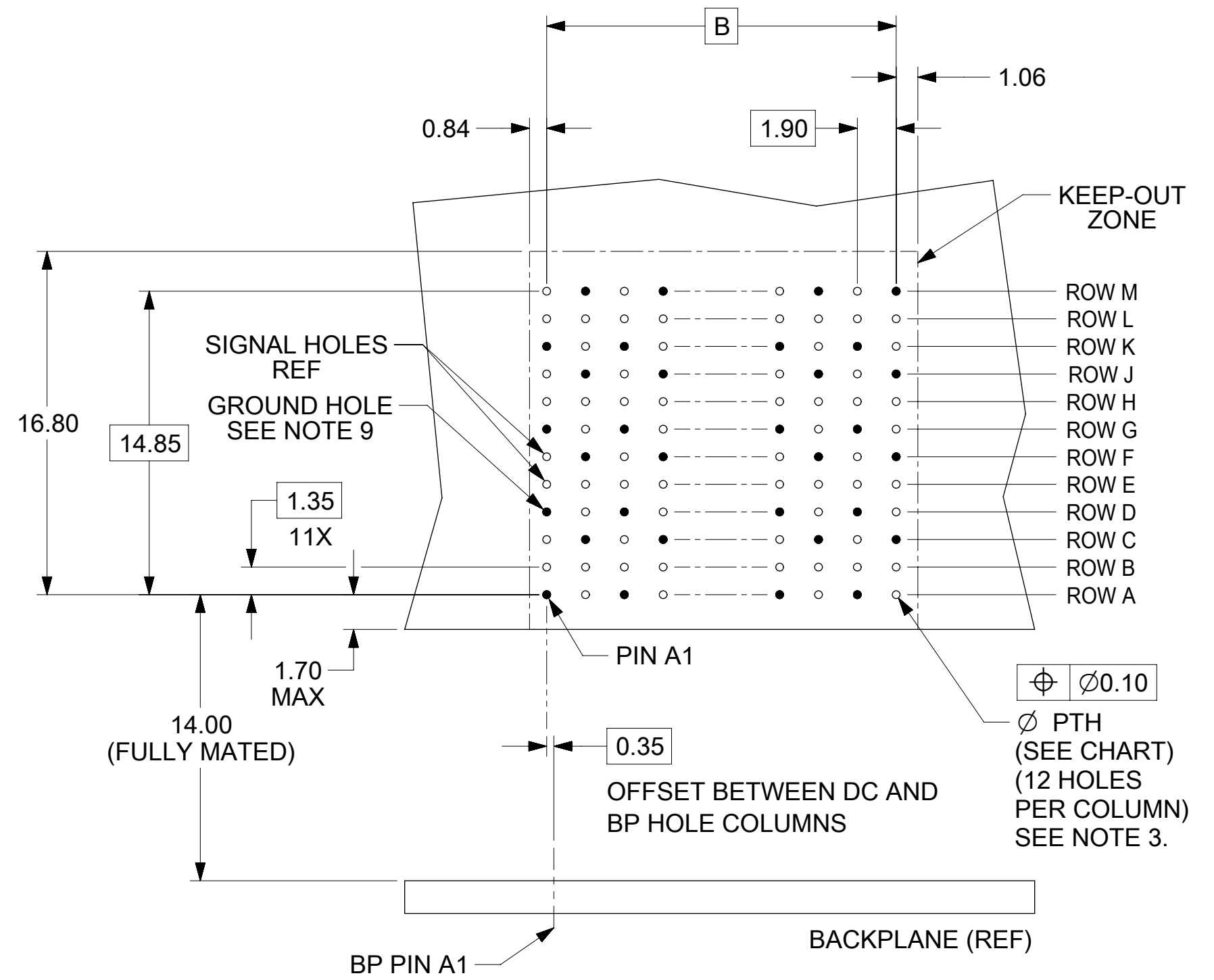
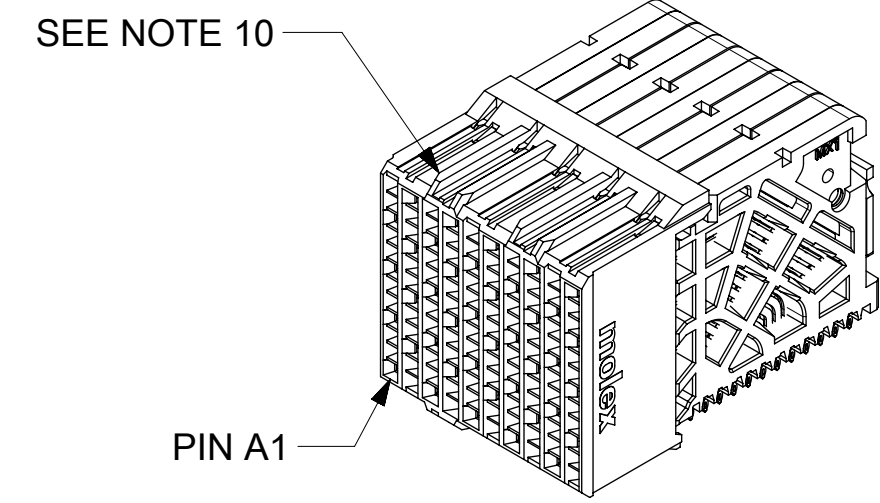
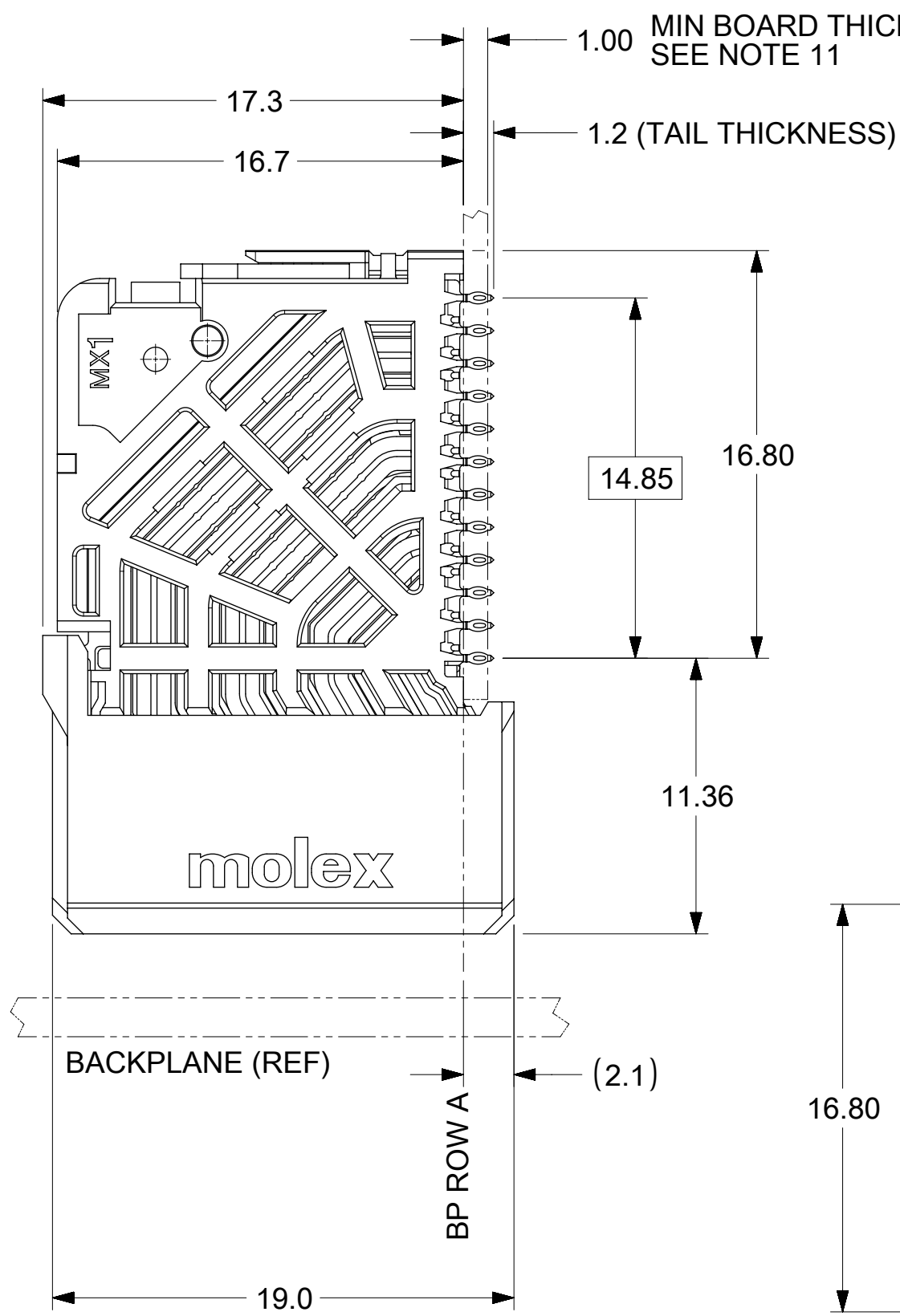


SEE NOTE 12



**DAUGHTERCARD HOLE PATTERN
(CONNECTOR SIDE)**

- NOTES:**
1. MATERIALS: HOUSING - GRAY LIQUID CRYSTAL POLYMER (LCP), GLASS-FILLED, UL94V-0
TERMINALS - HIGH PERFORMANCE COPPER ALLOY
 2. FINISH: 30µIN MIN SELECTIVE GOLD IN CONTACT AREA, SELECTIVE TIN
ON PCB TAILS. NICKEL OVERALL.
 3. REFER TO MOLEX PRODUCT SPEC PS-170540-999 FOR PERFORMANCE SPECIFICATIONS
AND ADDITIONAL PCB INFORMATION.
 4. EACH SIGNAL WAFER CONTAINS 2 COLUMNS OF TERMINALS.
 5. PRODUCT IS PACKAGED PER PK-70873-610.
 6. THIS PART CONFORMS TO CLASS B REQUIREMENTS OF COSMETIC SPEC PS-45499-002.
 7. REFER TO MOLEX SALES DRAWING SD-170335-0001 FOR THE MATING HEADERS.
 8. REFER TO MOLEX PCB ROUTING GUIDE AS-76060-990 FOR THE ANTIPAD AND ROUTING
RECOMMENDATIONS.
 9. GROUND PATHS ARE NOT DISCRETE CIRCUITS WITHIN CONNECTOR DUE TO PRESENCE
OF PLUS CLIP.
 10. PART NUMBER 170340-1020 SHOWN ON DRAWING. KEYING FEATURES WILL CHANGE
WITH COLUMN SIZE.
 11. MINIMUM BOARD THICKNESS IS 1.00 mm FOR COMPLIANT PIN FUNCTIONALITY.
 12. MARKING: LOCATED APPROXIMATELY AS SHOWN. PART NUMBER AND DATE CODE.

THIS DRAWING CONTAINS INFORMATION THAT IS PROPRIETARY TO MOLEX ELECTRONIC TECHNOLOGIES, LLC AND SHOULD NOT BE USED WITHOUT WRITTEN PERMISSION											
DIMENSION UNITS		SCALE		CURRENT REV DESC: MIGRATED TO NX							
mm		NTS		<p>IMPACT 4-PAIR 85-OHM DAUGHTERCARD SIGNAL UNGUIDED SALES DRAWING</p> <p>PRODUCT CUSTOMER DRAWING</p>							
GENERAL TOLERANCES (UNLESS SPECIFIED)											
ANGULAR TOL ± 0.5°											
4 PLACES ±											
3 PLACES ±											
2 PLACES ± 0.13											
1 PLACE ± 0.25				EC NO: 612222		2018/11/08		<p>DOCUMENT NUMBER</p> <p>SD-170340-0001</p>			
0 PLACES ±				DRWN: AAPPARAOTHAK		2019/02/19				DOC TYPE	
DRAFT WHERE APPLICABLE MUST REMAIN WITHIN DIMENSIONS				THIRD ANGLE PROJECTION		DRAWING		SERIES		<p>DOC PART</p> <p>001</p>	
				C-SIZE		170340		CUSTOMER		<p>REVISION</p> <p>B4</p>	
				SEE CHART		GENERAL MARKET		MATERIAL NUMBER		SHEET NUMBER	
								SEE CHART		1 OF 2	

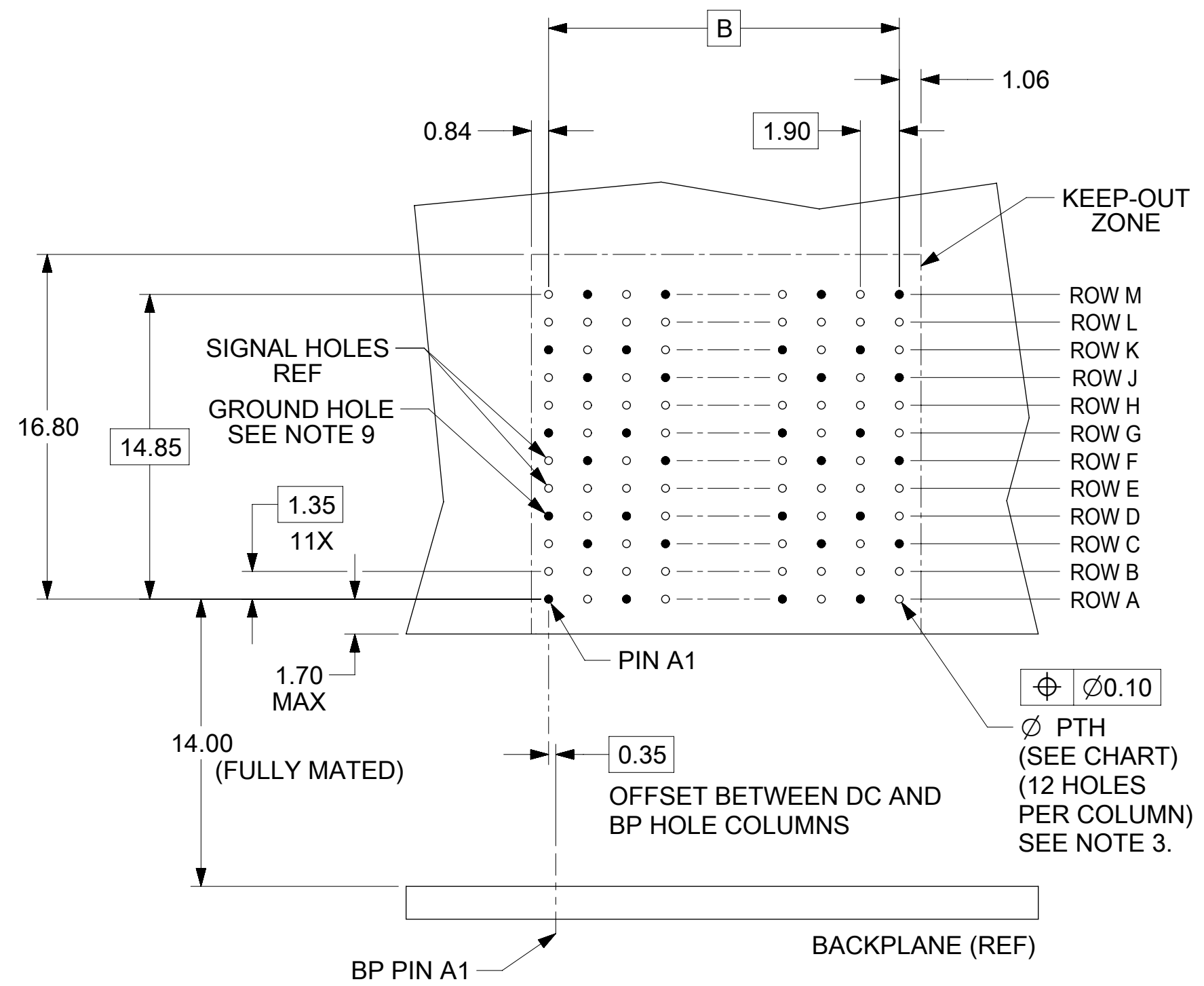
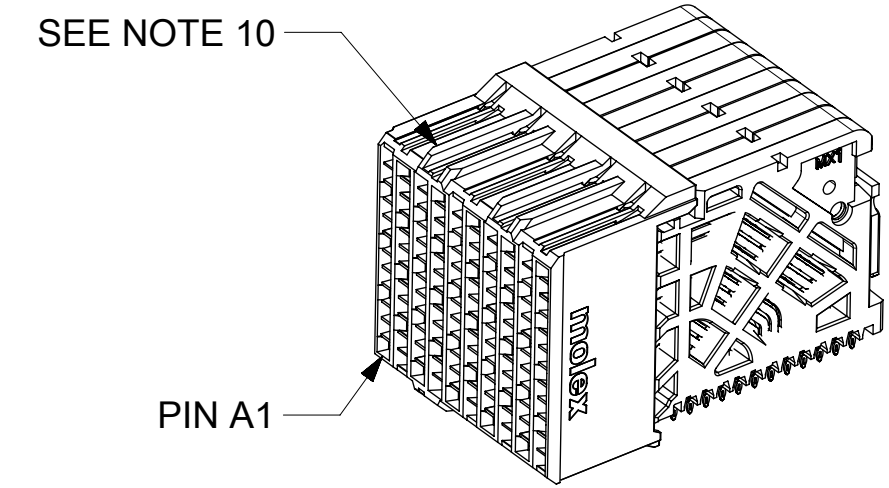
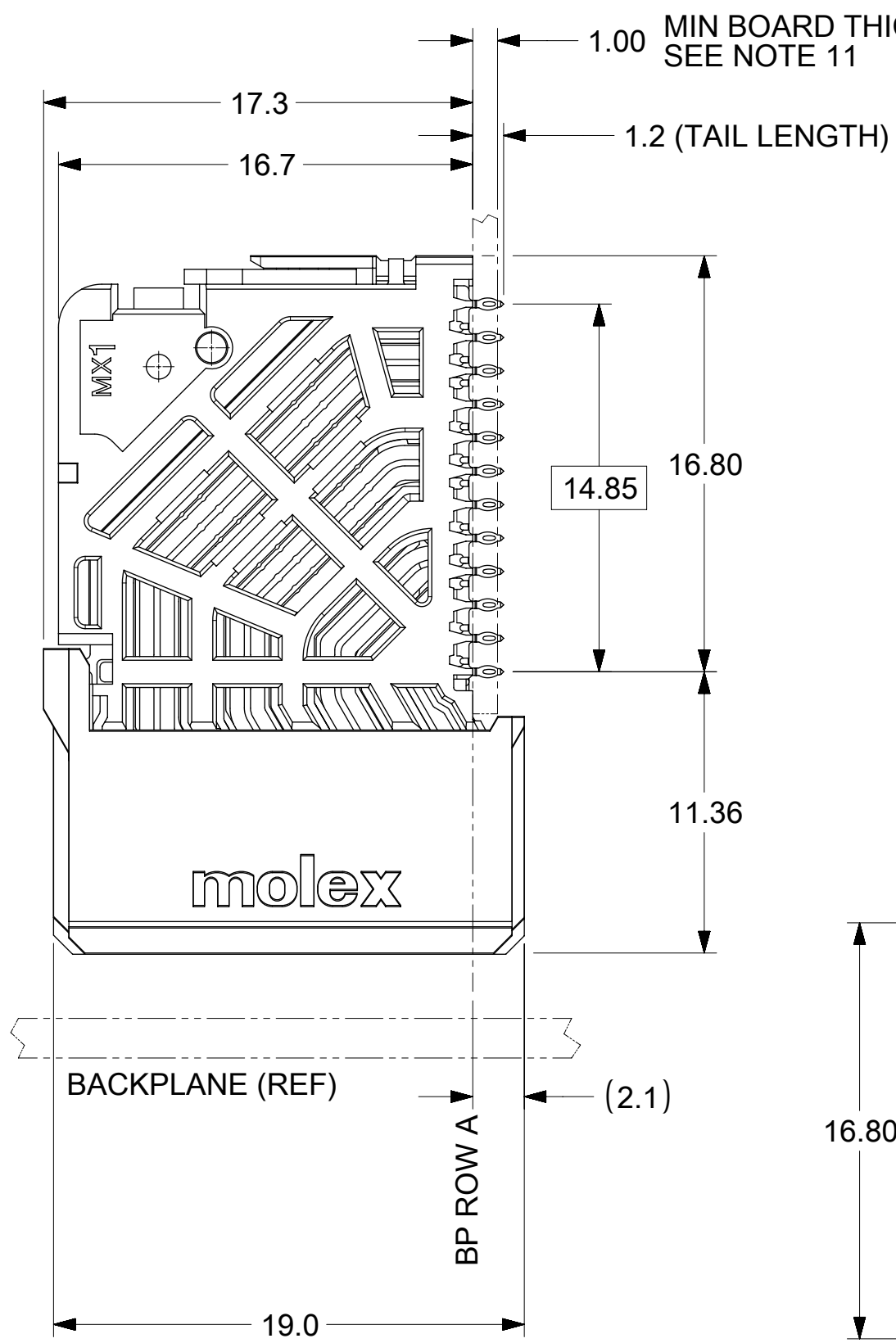
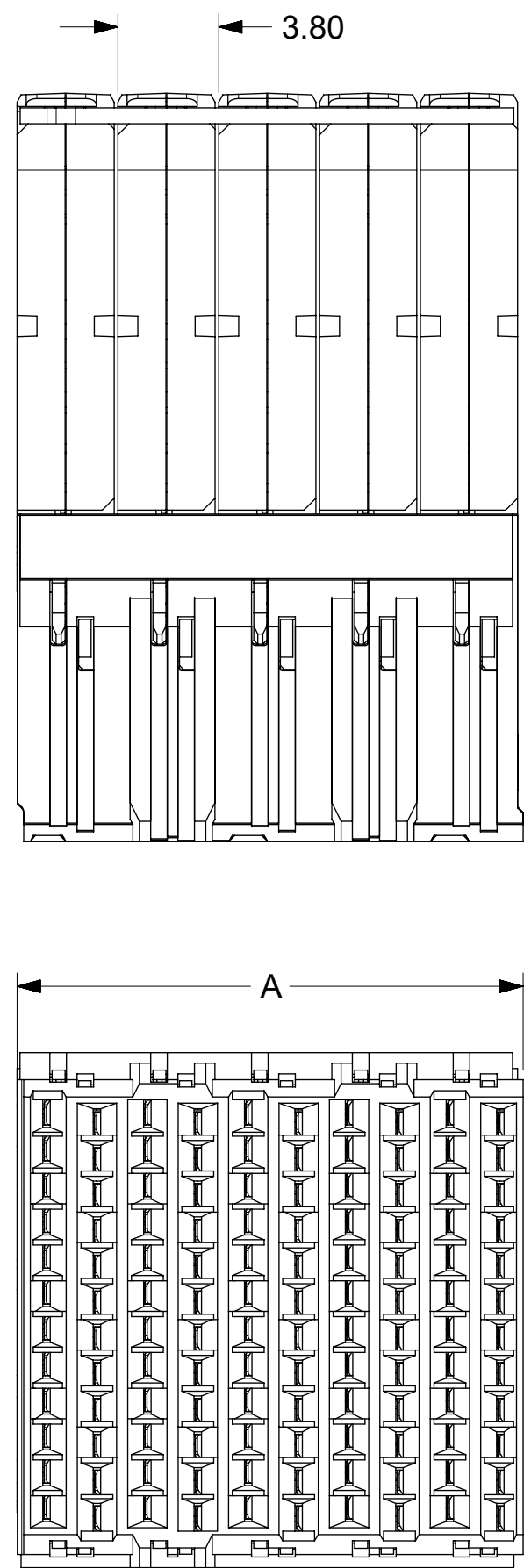
MATERIAL NUMBER	# OF COLUMNS	# OF DIFF PAIR	DIM "A" MAX	DIM "B"	PTH ϕ
170340-1006	6	24	11.40	9.50	0.46 ± 0.05
170340-1008	8	32	15.20	13.30	
170340-1010	10	40	19.00	17.10	
170340-1012	12	48	22.80	20.90	
170340-1014	14	56	26.60	24.70	
170340-1016	16	64	30.40	28.50	
170340-1036	6	24	11.40	9.50	0.39 ± 0.05
170340-1038	8	32	15.20	13.30	
170340-1020	10	40	19.00	17.10	
170340-1022	12	48	22.80	20.90	
170340-1024	14	56	26.60	24.70	
170340-1026	16	64	30.40	28.50	

170340-*0**

MODULE & TAIL PLATING TYPE
1 = OPEN LEAD-FREE

OF COLUMNS
06 = 6 COL 0.46 PTH
08 = 8 COL 0.46 PTH
10 = 10 COL 0.46 PTH
12 = 12 COL 0.46 PTH
14 = 14 COL 0.46 PTH
16 = 16 COL 0.46 PTH
20 = 10 COL 0.39 PTH
22 = 12 COL 0.39 PTH
24 = 14 COL 0.39 PTH
26 = 16 COL 0.39 PTH
36 = 6 COL 0.39 PTH
38 = 8 COL 0.39 PTH

THIS DRAWING CONTAINS INFORMATION THAT IS PROPRIETARY TO MOLEX ELECTRONIC TECHNOLOGIES, LLC AND SHOULD NOT BE USED WITHOUT WRITTEN PERMISSION									
DIMENSION UNITS		SCALE		CURRENT REV DESC: MIGRATED TO NX				molex	
mm		NTS							
GENERAL TOLERANCES (UNLESS SPECIFIED)				EC NO: 612222				IMPACT 4-PAIR 85-OHM DAUGHTERCARD SIGNAL UNGUIDED SALES DRAWING	
ANGULAR TOL $\pm 0.5^\circ$				DRWN: AAPPARAOTHAK 2018/11/08				PRODUCT CUSTOMER DRAWING	
4 PLACES \pm				CHK'D: TMARRI 2019/02/19				DOCUMENT NUMBER	
3 PLACES \pm				APPR: BOKOK 2019/02/20				SD-170340-0001	
2 PLACES ± 0.13				INITIAL REVISION:				DOC TYPE	
1 PLACE ± 0.25				DRWN: TELO 2010/05/12				PSD	
0 PLACES \pm				APPR: TELO 2011/01/25				DOC PART	
DRAFT WHERE APPLICABLE MUST REMAIN WITHIN DIMENSIONS				THIRD ANGLE PROJECTION		DRAWING		REVISION	
						C-SIZE		001 B4	
						SERIES		SHEET NUMBER	
						170340		2 OF 2	
DOCUMENT STATUS		P1		RELEASE DATE		2019/02/20 10:38:00			
12		11		10		9 8 7 6 5 4 3 2 1			



**DAUGHTERCARD HOLE PATTERN
(CONNECTOR SIDE)**

NOTES:

1. MATERIALS: HOUSING - GRAY LIQUID CRYSTAL POLYMER (LCP), GLASS-FILLED, UL94V-0
TERMINALS - HIGH PERFORMANCE COPPER ALLOY
2. FINISH: 30µIN MIN SELECTIVE GOLD IN CONTACT AREA, SELECTIVE TIN
ON PCB TAILS. NICKEL OVERALL.
3. REFER TO MOLEX PRODUCT SPEC PS-170540-999 FOR PERFORMANCE SPECIFICATIONS
AND ADDITIONAL PCB INFORMATION.
4. EACH SIGNAL WAFER CONTAINS 2 COLUMNS OF TERMINALS.
5. PRODUCT IS PACKAGED PER PK-70873-610.
6. THIS PART CONFORMS TO CLASS B REQUIREMENTS OF COSMETIC SPEC PS-45499-002.
7. REFER TO MOLEX SALES DRAWING SD-170335-0001 FOR THE MATING HEADERS.
8. REFER TO MOLEX PCB ROUTING GUIDE AS-76060-990 FOR THE ANTIPAD AND ROUTING
RECOMMENDATIONS.
9. GROUND PATHS ARE NOT DISCRETE CIRCUITS WITHIN CONNECTOR DUE TO PRESENCE
OF PLUS CLIP.
10. PART NUMBER 170340-1020 SHOWN ON DRAWING. KEYING FEATURES WILL CHANGE
WITH COLUMN SIZE.
11. MINIMUM BOARD THICKNESS IS 1.00 mm FOR COMPLIANT PIN FUNCTIONALITY.

THIS DRAWING CONTAINS INFORMATION THAT IS PROPRIETARY TO MOLEX ELECTRONIC TECHNOLOGIES, LLC AND SHOULD NOT BE USED WITHOUT WRITTEN PERMISSION									
DIMENSION UNITS		SCALE		CURRENT REV DESC: MIGRATED TO NX					
mm		NTS		<p>IMPACT 4-PAIR 85-OHM DAUGHTERCARD SIGNAL UNGUIDED SALES DRAWING</p> <p>PRODUCT CUSTOMER DRAWING</p>					
GENERAL TOLERANCES (UNLESS SPECIFIED)									
ANGULAR TOL ± 0.5°									
4 PLACES ±									
3 PLACES ±									
2 PLACES ± 0.13				EC NO: 612533		DRWN: NMUTHARAYAPP 2018/11/13		CHK'D: TMARRI 2019/02/25	
1 PLACE ± 0.25				APPR: BOKOK 2019/03/01		INITIAL REVISION:		DRWN: BJMILLER 2013/04/26	
0 PLACES ±				APPR: BOKOK 2019/03/01		SERIES		SD-173137-0001	
DRAFT WHERE APPLICABLE MUST REMAIN WITHIN DIMENSIONS		THIRD ANGLE PROJECTION		DRAWING		SERIES		MATERIAL NUMBER	
				C-SIZE		173137		SEE CHART	
DOCUMENT STATUS		P1		RELEASE DATE		2019/03/01 07:25:54		CUSTOMER	
								GENERAL MARKET	
								SHEET NUMBER	
								1 OF 2	

MATERIAL NUMBER	# OF COLUMNS	# OF DIFF PAIR	DIM "A" MAX	DIM "B"	PTH ϕ
170340-1006	6	24	11.40	9.50	0.46 ± 0.05
170340-1008	8	32	15.20	13.30	
170340-1010	10	40	19.00	17.10	
170340-1012	12	48	22.80	20.90	
170340-1014	14	56	26.60	24.70	
170340-1016	16	64	30.40	28.50	
170340-1036	6	24	11.40	9.50	0.39 ± 0.05
170340-1038	8	32	15.20	13.30	
170340-1020	10	40	19.00	17.10	
170340-1022	12	48	22.80	20.90	
170340-1024	14	56	26.60	24.70	
170340-1026	16	64	30.40	28.50	

170340-*0**

MODULE & TAIL PLATING TYPE
1 = OPEN LEAD-FREE

OF COLUMNS
06 = 6 COL 0.46 PTH
08 = 8 COL 0.46 PTH
10 = 10 COL 0.46 PTH
12 = 12 COL 0.46 PTH
14 = 14 COL 0.46 PTH
16 = 16 COL 0.46 PTH
20 = 10 COL 0.39 PTH
22 = 12 COL 0.39 PTH
24 = 14 COL 0.39 PTH
26 = 16 COL 0.39 PTH
36 = 6 COL 0.39 PTH
38 = 8 COL 0.39 PTH

THIS DRAWING CONTAINS INFORMATION THAT IS PROPRIETARY TO MOLEX ELECTRONIC TECHNOLOGIES, LLC AND SHOULD NOT BE USED WITHOUT WRITTEN PERMISSION									
DIMENSION UNITS		SCALE		CURRENT REV DESC: MIGRATED TO NX				molex	
mm		NTS							
GENERAL TOLERANCES (UNLESS SPECIFIED)				EC NO: 612533				IMPACT 4-PAIR 85-OHM DAUGHTERCARD SIGNAL UNGUIDED SALES DRAWING	
ANGULAR TOL $\pm 0.5^\circ$				DRWN: NMUTHARAYAPP 2018/11/13					
4 PLACES \pm				CHK'D: TMARRI 2019/02/25					
3 PLACES \pm				APPR: BOKOK 2019/03/01				PRODUCT CUSTOMER DRAWING	
2 PLACES ± 0.13				INITIAL REVISION:				DOCUMENT NUMBER	
1 PLACE ± 0.25				DRWN: BJMILLER 2013/04/26				SD-173137-0001	
0 PLACES \pm				APPR: BOKOK 2019/03/01				DOC TYPE DOC PART REVISION	
DRAFT WHERE APPLICABLE MUST REMAIN WITHIN DIMENSIONS				THIRD ANGLE PROJECTION		DRAWING		SHEET NUMBER	
						C-SIZE		2 OF 2	
						SERIES		MATERIAL NUMBER CUSTOMER	
						173137		SEE CHART GENERAL MARKET	