

MODEL NUMBER
TRM-2052-0C-7MM-02

NOTES:

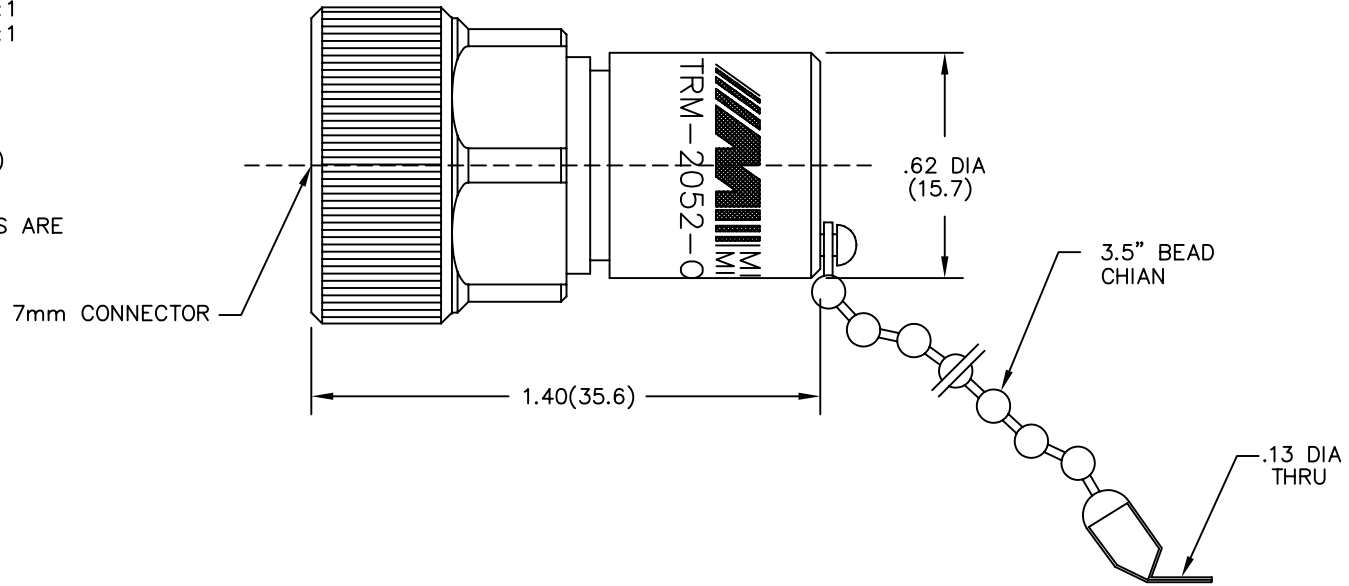
1.0 SPECIFICATIONS:

- 1.1 FREQUENCY RANGE: DC to 18.0 GHz
- 1.2 MAXIMUM INPUT POWER: 2 WATTS AVERAGE AT
+25°C DERATED LINEARLY TO 0.5 WATTS AT +125°C
- 1.3 OPERATING TEMP. RANGE: -55°C to +125°C
- 1.4 IMPEDANCE: 50 OHMS
- 1.5 VSWR (MAX.):
DC to 4.0 GHz: 1.05:1
4.0 to 12.0 GHz: 1.10:1
12.0 to 18.0 GHz: 1.15:1

2.0 MARKING

- 2.1 MARK UNIT AS SHOWN
(REF.: INK-02611-27-10)

3.0 DIMENSIONS IN PARENTHESIS ARE
IN MILLIMETERS.



| REV. | DESCRIPTION | DATE |
|------|------------------|----------|
| - | RELEASED | 3/25/92 |
| -1 | ADDED TITLEBLOCK | 10/26/05 |

NOTICE: The information contained in this drawing is proprietary and must not be used without the permission of Emerson Network Power.

UNLESS OTHERWISE NOTED DIMENSIONS ARE IN INCHES AND TOLERANCES ARE:
3 PLACE DECIMALS ±.005
2 PLACE DECIMALS ±.02
FRACTIONS ±1/64
PARALLELITY: T.I.R. _____
FLATNESS: T.I.R. _____
CONCENTRICITY: T.I.R. _____
ANGLES AND PERPENDICULARITY: ±1'

| | | | |
|---------------------------|---------------|---|----------------------------------|
| CAGE CODE 34078 | | MIDWEST MICROWAVE | |
| | | TITLE TERMINATION OUTLINE DRAWING | |
| | | DRAWN/DATE A. BEATTY 3/20/92 | ENG./DATE G. KOZAK 3/25/92 |
| CHECKED/DATE | APPROVED/DATE | DRAWING NUMBER TRM-2052-0C-7MM-02-01 | REV. -1 |
| SCALE: 5=1 | | SHEET 1 of 1 | |