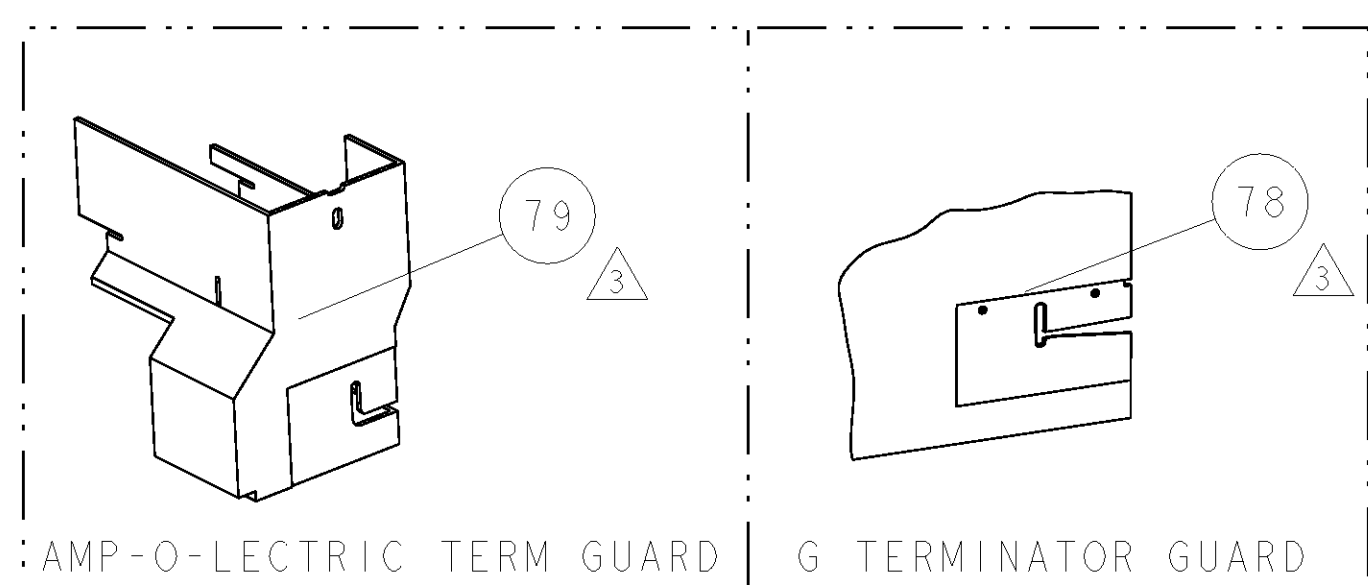
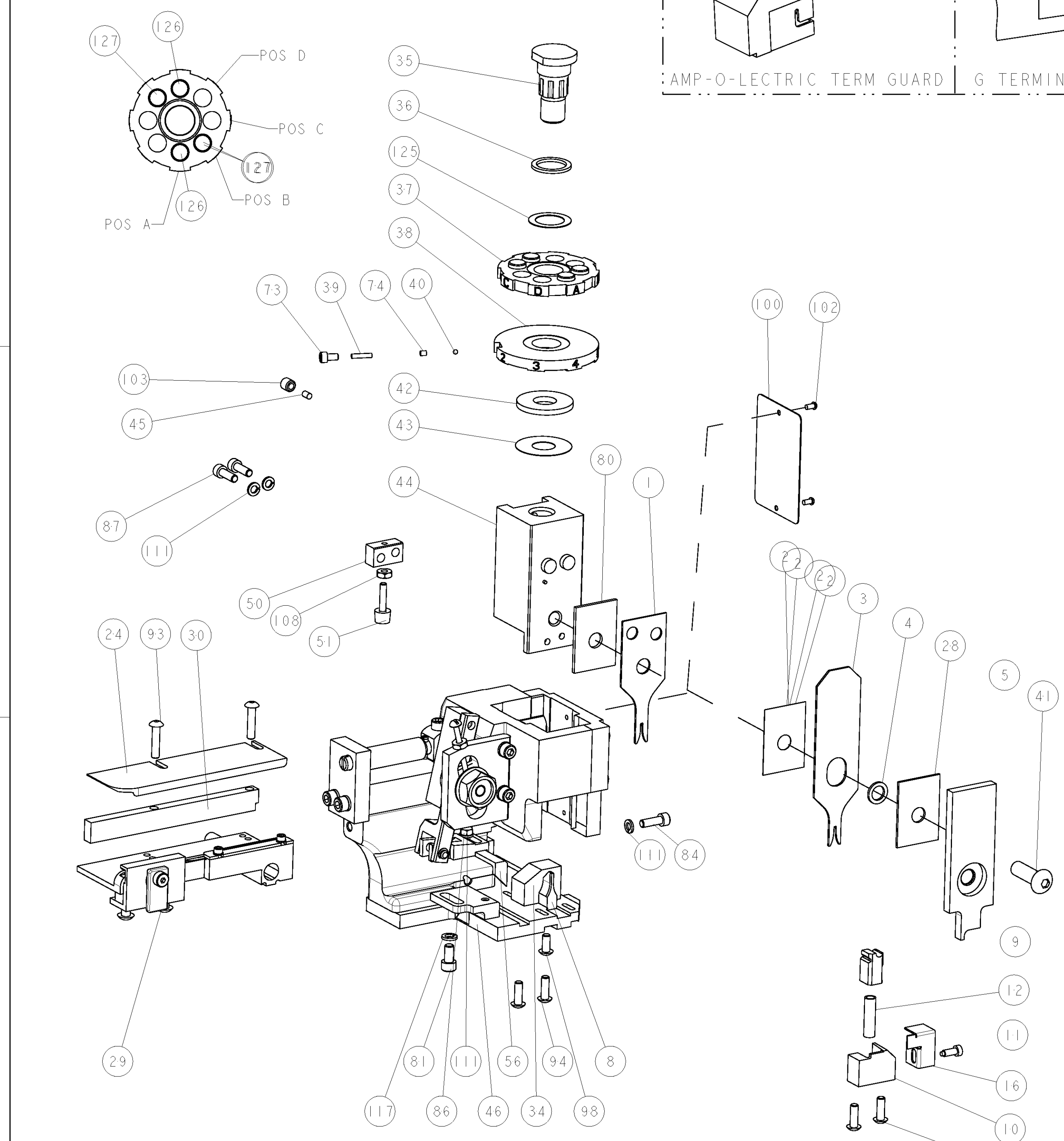


| PART NUMBER | REV | FIRST USED | POWER UNIT | FEED TYPE |
|-------------|-----|------------|---------------|-----------|
| 1385815-1 | B | 122500-1 | LEADMAKER | POST FEED |
| 1385815-2 | B | 565435-5 | BENCH MODEL K | PRE FEED |
| 1385815-3 | B | 354500-1 | BENCH MODEL G | PRE FEED |



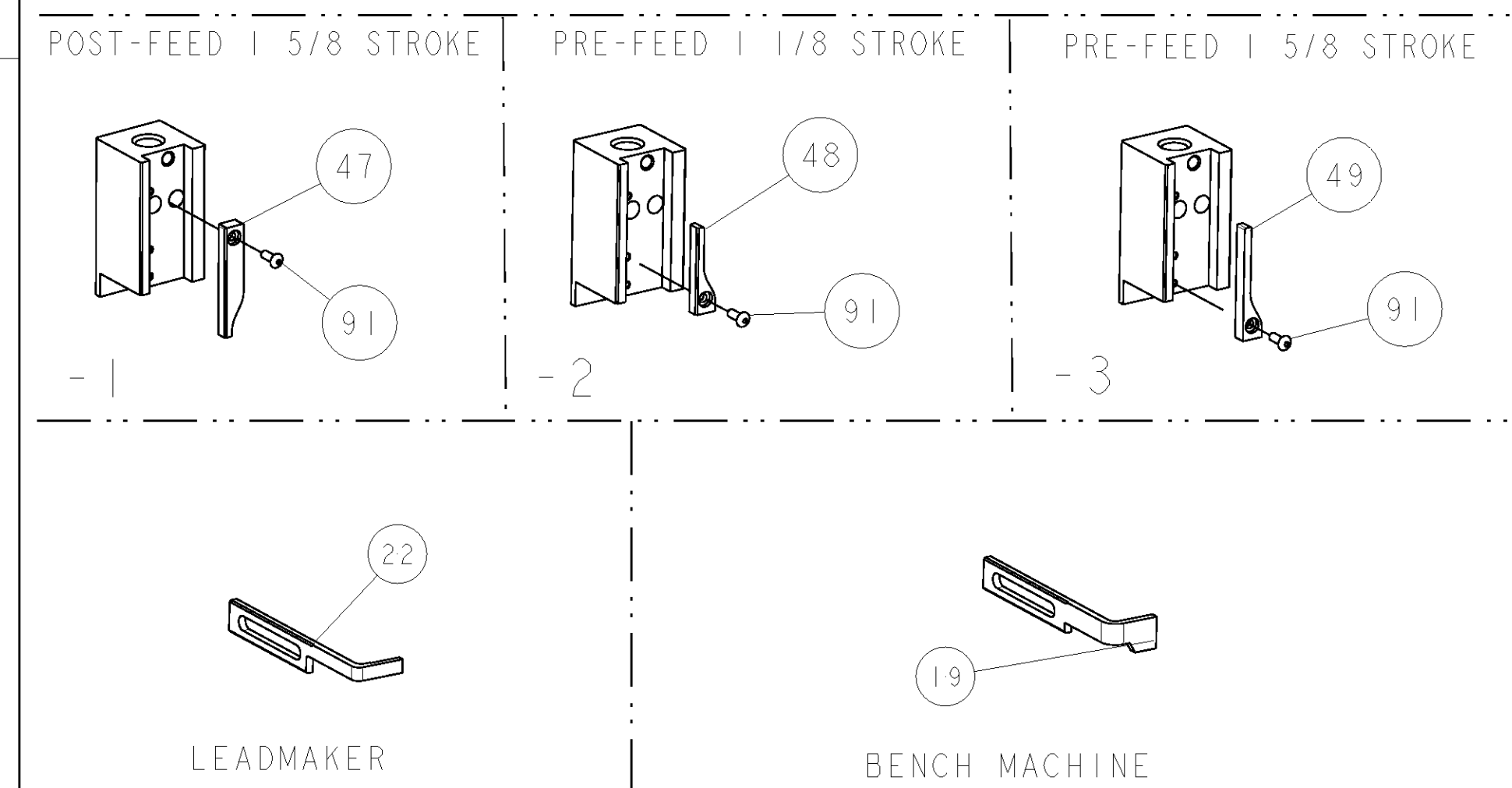
| TERMINAL NAME: JAE TERMINAL | | | | |
|-----------------------------|------------------|--------------------------------|------------------------|-------------|
| TE PN | JAE PN | JAE TERMINAL - AMP CRIMP SPECS | | |
| 1572557 | JN1-22-22S-10000 | | | |
| | | PAD LTR | CRIMP HEIGHT | WIRE SIZE |
| | | A | .033±.002 [.84±0.05mm] | 22 AWG |
| | | B | .030±.002 [.76±0.05mm] | 24 AWG |
| | | C | - | - |
| | | D | - | - |
| SEAL PN. | CRIMP | SIZE | TYPE | RANGE |
| - | - | .047 [1.19mm] | F | 22-24 AWG |
| - | - | .055 [1.40mm] | F | ∅.060 MAX |
| WIRE STRIP LENGTH | TERM APPL SPEC | FEED | APPL INSTRUCTIONS | SET UP GAGE |
| .054 - .069 | NONE | .250 | 408-8040 | 458637-1 |

| LOC | DIST | REVISIONS | | | |
|-----|------|-----------|---------------|-----------|----|
| A | 66 | REV | DESCRIPTION | DATE | BY |
| | | A | RELEASED | 02SEP2004 | RK |
| | | B | ECR-10-021642 | 22OCT2010 | MY |



- △ RECOMMENDED SPARE PARTS
- △ GREASE LIGHTLY
- △ GUARD MUST BE IN PLACE WHEN OPERATING APPLICATOR IN A BENCH MACHINE

| | | | | | | |
|---|---|---|---|------------|--------------------------------------|-----|
| - | - | - | - | - | - | 129 |
| - | - | - | - | - | - | 128 |
| 2 | 2 | 2 | - | 5-354779-2 | PIN, WIRE DISC, .3250 | 127 |
| 2 | 2 | 2 | - | 4-354779-6 | PIN, WIRE DISC, .3220 | 126 |
| 1 | 1 | 1 | - | 986950-1 | WASHER, FLAT PRECISION | 125 |
| 1 | 1 | 1 | - | 217238-1 | GENERAL INSTRUCTION PKG | 124 |
| 1 | 1 | 1 | - | 4088040 | SF APPL INST 408-8040 | 123 |
| - | - | - | - | - | - | 122 |
| - | - | - | - | - | - | 121 |
| - | - | - | - | - | - | 120 |
| - | - | - | - | - | - | 119 |
| - | - | - | - | - | - | 118 |
| 1 | 1 | 1 | - | 21024-5 | WASHER, SPRG LOCK, REG NO 10 | 117 |
| - | - | - | - | - | - | 116 |
| - | - | - | - | - | - | 115 |
| - | - | - | - | - | - | 114 |
| - | - | - | - | - | - | 113 |
| - | - | - | - | - | - | 112 |
| 4 | 4 | 4 | - | 21024-4 | WASHER, SPRG LOCK, REG NO 8 | 111 |
| - | - | - | - | - | - | 110 |
| - | - | - | - | - | - | 109 |
| 1 | 1 | 1 | - | 21018-5 | NUT, HEX, REG 6-32 | 108 |
| - | - | - | - | - | - | 107 |
| - | - | - | - | - | - | 106 |
| - | - | - | - | - | - | 105 |
| - | - | - | - | - | - | 104 |
| 1 | 1 | 1 | - | 21009-2 | SCR, SET, SELF LOCKING 1/4-20 X .250 | 103 |
| 2 | 2 | 2 | - | 21017-2 | SCREW, DRIVE | 102 |
| - | - | - | - | - | - | 101 |
| 1 | 1 | 1 | - | 461264-1 | PLATE, IDENTIFICATION | 100 |
| - | - | - | - | - | - | 99 |
| 1 | 1 | 1 | - | 22733-8 | SCR, BHSC, SELF-LOCKING, 8-32 X .375 | 98 |
| - | - | - | - | - | - | 97 |
| - | - | - | - | - | - | 96 |
| - | - | - | - | - | - | 95 |
| 4 | 4 | 4 | - | 2-21002-2 | SCR, BTN SKT HD CAP 8-32 X .500 | 94 |
| 2 | 2 | 2 | - | 2-21002-4 | SCR, BTN SKT HD CAP 8-32 X .750 | 93 |
| - | - | - | - | - | - | 92 |
| 1 | 1 | 1 | - | 1-21002-7 | SCR, BTN SKT HD CAP 6-32 X .375 | 91 |
| - | - | - | - | - | - | 90 |
| - | - | - | - | - | - | 89 |
| - | - | - | - | - | - | 88 |
| 2 | 2 | 2 | - | 2-21000-7 | SCR, SKT HD CAP 8-32 X .500 | 87 |
| 1 | 1 | 1 | - | 2-22603-0 | SCR, HEX HD CAP 8-32 X .312 | 86 |
| - | - | - | - | - | - | 85 |
| 1 | 1 | 1 | - | 2-21000-7 | SCR, SKT HD CAP 8-32 X .500 | 84 |
| - | - | - | - | - | - | 83 |
| - | - | - | - | - | - | 82 |
| 1 | 1 | 1 | - | 3-21000-4 | SCR, SKT HD CAP 10-32 X .375 | 81 |
| 1 | 1 | 1 | - | 1-455888-6 | SPACER, CRIMPER | 80 |
| - | - | - | - | 455749-1 | GUARD WINDOW | 79 |
| - | - | - | - | 679532-1 | INSERT, GUARD | 78 |
| - | - | - | - | - | - | 77 |
| - | - | - | - | - | - | 76 |
| - | - | - | - | - | - | 75 |
| 1 | 1 | 1 | - | 690603-1 | SPRING ASSIST AMP-O-MATOR APPLICATOR | 74 |
| - | - | - | - | - | - | 73 |
| - | - | - | - | - | - | 72 |
| - | - | - | - | - | - | 71 |
| - | - | - | - | - | - | 70 |
| - | - | - | - | - | - | 69 |
| - | - | - | - | - | - | 68 |
| - | - | - | - | - | - | 67 |
| - | - | - | - | - | - | 66 |
| - | - | - | - | - | - | 65 |
| - | - | - | - | - | - | 64 |
| - | - | - | - | - | - | 63 |
| - | - | - | - | - | - | 62 |
| - | - | - | - | - | - | 61 |
| - | - | - | - | - | - | 60 |
| - | - | - | - | - | - | 59 |
| - | - | - | - | - | - | 58 |
| - | - | - | - | - | - | 57 |
| 1 | 1 | 1 | - | 458537-2 | PAWL, FEED | 56 |
| - | - | - | - | - | - | 55 |
| - | - | - | - | - | - | 54 |
| - | - | - | - | - | - | 53 |
| - | - | - | - | - | - | 52 |
| 1 | 1 | 1 | - | 811242-2 | BUMPER, HOLD DOWN | 51 |
| 1 | 1 | 1 | - | 690753-1 | SPACER, TONKER | 50 |
| 1 | 1 | 1 | - | 690602-6 | CAM, PRE FEED, 1 5/8 | 49 |
| 1 | 1 | 1 | - | 690602-5 | CAM, PRE FEED, 1 1/8 | 48 |
| 1 | 1 | 1 | - | 690501-4 | CAM, POST-FEED 1 5/8 | 47 |
| 1 | 1 | 1 | - | 459456-1 | APPL. BASIC SUB ASSEMBLY | 46 |
| 1 | 1 | 1 | - | 690191-1 | PLUG, NYLON | 45 |
| 1 | 1 | 1 | - | 1-455673-1 | RAM | 44 |
| 1 | 1 | 1 | - | 690125-1 | SHIM SUB-ASSY | 43 |
| 1 | 1 | 1 | - | 690124-1 | WASHER, RAM (.115) | 42 |
| 1 | 1 | 1 | - | 7-21002-9 | SCR, BTN SKT HD CAP 5/16-24 X 1.00 | 41 |
| 1 | 1 | 1 | - | 23241-6 | BALL, STEEL | 40 |
| 1 | 1 | 1 | - | 690170-1 | SPRING, COMPRESSION | 39 |
| 1 | 1 | 1 | - | 690142-1 | DISC, INSULATION | 38 |
| 1 | 1 | 1 | - | 354777-1 | WIRE DISC, ASSEMBLY | 37 |
| 1 | 1 | 1 | - | 22480-5 | SPRING, COMPRESSION | 36 |
| 1 | 1 | 1 | - | 690212-1 | POST, RAM | 35 |
| 1 | 1 | 1 | - | 690786-6 | TERMINAL SUPPORT | 34 |
| - | - | - | - | - | - | 33 |
| - | - | - | - | - | - | 32 |
| - | - | - | - | - | - | 31 |
| 1 | 1 | 1 | - | 1320908-4 | SPACER, STRIP GUIDE | 30 |
| 1 | 1 | 1 | - | 1633091-2 | SUB-ASSEMBLY, FEEDTRACK | 29 |
| 1 | 1 | 1 | - | 1-455888-0 | SPACER, CRIMPER | 28 |
| - | - | - | - | - | - | 27 |
| - | - | - | - | - | - | 26 |
| - | - | - | - | - | - | 25 |
| 1 | 1 | 1 | - | 1320928-1 | PLATE, STRIP GUIDE | 24 |
| - | - | - | - | - | - | 23 |
| - | - | - | - | - | - | 22 |
| - | - | - | - | - | - | 21 |
| - | - | - | - | - | - | 20 |
| 1 | 1 | 1 | - | 691353-1 | STRIPPER | 19 |
| - | - | - | - | - | - | 18 |
| - | - | - | - | - | - | 17 |
| 1 | 1 | 1 | - | 318563-1 | GUARD, FRONT CHIP | 16 |
| - | - | - | - | - | - | 15 |
| - | - | - | - | - | - | 14 |
| - | - | - | - | - | - | 13 |
| 1 | 1 | 1 | - | 3-22280-3 | SPRING, COMPRESSION | 12 |
| 1 | 1 | 1 | - | 690461-1 | STOP, SHEAR | 11 |
| 1 | 1 | 1 | - | 690459-1 | SHEAR HOLDER, FRONT | 10 |
| 1 | 1 | 1 | - | 462006-1 | FLOATING SHEAR, FRONT | 9 |
| 1 | 1 | 1 | - | 1633116-9 | ANVIL, COMBINATION | 8 |
| - | - | - | - | - | - | 7 |
| - | - | - | - | - | - | 6 |
| 1 | 1 | 1 | - | 2-455889-0 | DEPRESSOR, SHEAR | 5 |
| 1 | 1 | 1 | - | 3-238011-7 | BLOCK, CRIMPER SPACER | 4 |
| 1 | 1 | 1 | - | 1424909-7 | CRIMPER, INSULATION F | 3 |
| 1 | 1 | 1 | - | 455888-1 | SPACER, CRIMPER | 2 |
| 1 | 1 | 1 | - | 1-568176-8 | CRIMPER, WIRE | 1 |



| ITEM NO | QTY | U/M | PART NO | DESCRIPTION | ITEM NO |
|---------|-----|-----|------------|------------------------------------|---------|
| 73 | | | 23030-1 | SCR, SKT HD CAP 6-32 x .25 | 73 |
| 72 | | | - | - | 72 |
| 71 | | | - | - | 71 |
| 70 | | | - | - | 70 |
| 69 | | | - | - | 69 |
| 68 | | | - | - | 68 |
| 67 | | | - | - | 67 |
| 66 | | | - | - | 66 |
| 65 | | | - | - | 65 |
| 64 | | | - | - | 64 |
| 63 | | | - | - | 63 |
| 62 | | | - | - | 62 |
| 61 | | | - | - | 61 |
| 60 | | | - | - | 60 |
| 59 | | | - | - | 59 |
| 58 | | | - | - | 58 |
| 57 | | | - | - | 57 |
| 56 | | | 458537-2 | PAWL, FEED | 56 |
| 55 | | | - | - | 55 |
| 54 | | | - | - | 54 |
| 53 | | | - | - | 53 |
| 52 | | | - | - | 52 |
| 51 | | | 811242-2 | BUMPER, HOLD DOWN | 51 |
| 50 | | | 690753-1 | SPACER, TONKER | 50 |
| 49 | | | 690602-6 | CAM, PRE FEED, 1 5/8 | 49 |
| 48 | | | 690602-5 | CAM, PRE FEED, 1 1/8 | 48 |
| 47 | | | 690501-4 | CAM, POST-FEED 1 5/8 | 47 |
| 46 | | | 459456-1 | APPL. BASIC SUB ASSEMBLY | 46 |
| 45 | | | 690191-1 | PLUG, NYLON | 45 |
| 44 | | | 1-455673-1 | RAM | 44 |
| 43 | | | 690125-1 | SHIM SUB-ASSY | 43 |
| 42 | | | 690124-1 | WASHER, RAM (.115) | 42 |
| 41 | | | 7-21002-9 | SCR, BTN SKT HD CAP 5/16-24 X 1.00 | 41 |
| 40 | | | 23241-6 | BALL, STEEL | 40 |
| 39 | | | 690170-1 | SPRING, COMPRESSION | 39 |
| 38 | | | 690142-1 | DISC, INSULATION | 38 |
| 37 | | | 354777-1 | WIRE DISC, ASSEMBLY | 37 |
| 36 | | | 22480-5 | SPRING, COMPRESSION | 36 |
| 35 | | | 690212-1 | POST, RAM | 35 |
| 34 | | | 690786-6 | TERMINAL SUPPORT | 34 |
| 33 | | | - | - | 33 |
| 32 | | | - | - | 32 |
| 31 | | | - | - | 31 |
| 30 | | | 1320908-4 | SPACER, STRIP GUIDE | 30 |
| 29 | | | 1633091-2 | SUB-ASSEMBLY, FEEDTRACK | 29 |
| 28 | | | 1-455888-0 | SPACER, CRIMPER | 28 |
| 27 | | | - | - | 27 |
| 26 | | | - | - | 26 |
| 25 | | | - | - | 25 |
| 24 | | | 1320928-1 | PLATE, STRIP GUIDE | 24 |
| 23 | | | - | - | 23 |
| 22 | | | 690472-2 | STRIPPER | 22 |
| 21 | | | - | - | 21 |
| 20 | | | - | - | 20 |
| 19 | | | 691353-1 | STRIPPER | 19 |
| 18 | | | - | - | 18 |
| 17 | | | - | - | 17 |
| 16 | | | 318563-1 | GUARD, FRONT CHIP | 16 |
| 15 | | | - | - | 15 |
| 14 | | | - | - | 14 |
| 13 | | | - | - | 13 |
| 12 | | | 3-22280-3 | SPRING, COMPRESSION | 12 |
| 11 | | | 690461-1 | STOP, SHEAR | 11 |
| 10 | | | 690459-1 | SHEAR HOLDER, FRONT | 10 |
| 9 | | | 462006-1 | FLOATING SHEAR, FRONT | 9 |
| 8 | | | 1633116-9 | ANVIL, COMBINATION | 8 |
| 7 | | | - | - | 7 |
| 6 | | | - | - | 6 |
| 5 | | | 2-455889-0 | DEPRESSOR, SHEAR | 5 |
| 4 | | | 3-238011-7 | BLOCK, CRIMPER SPACER | 4 |
| 3 | | | 1424909-7 | CRIMPER, INSULATION F | 3 |
| 2 | | | 455888-1 | SPACER, CRIMPER | 2 |
| 1 | | | 1-568176-8 | CRIMPER, WIRE | 1 |