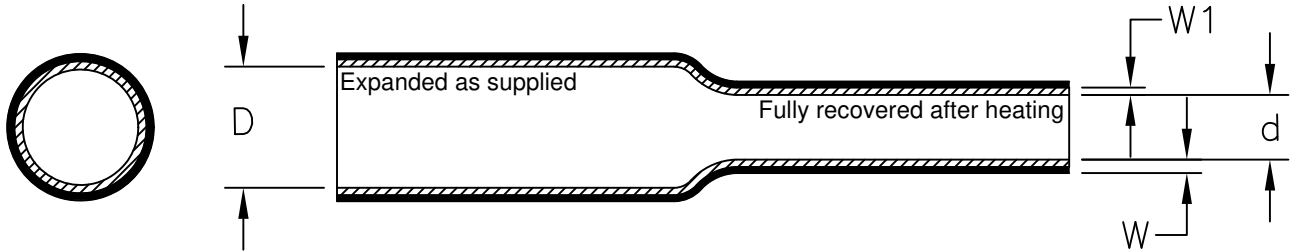


REVISIONS					
P	LTR	DESCRIPTION	DATE	DWN	APVD
	4	REVISED PER ECO-18-008718	5/16/2018	J.B.	T.L.

**RAYCHEM TAT-125 ADHESIVE LINED TUBING**  
 Polyolefin, Flexible, Heat-Shrinkable, Dual Wall




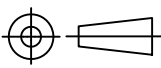
**Table 1: Dimensions mm (inches)**

Size	As Supplied		As Recovered					
	Expanded I.D. (D)		Maximum (d)		Nominal Total Wall (W)		Nominal Adhesive Wall (W1)	
	mm.	in.	mm.	in.	mm.	in.	mm.	in.
1/8	3.17	0.125	1.57	0.062	0.68	0.027	0.23	0.009
3/16	4.74	0.187	2.36	0.093	0.71	0.028	0.25	0.010
1/4	6.35	0.250	3.17	0.125	0.74	0.029	0.13	0.005
3/8	9.50	0.375	4.74	0.187	0.74	0.029	0.13	0.005
1/2	12.7	0.500	6.35	0.250	0.76	0.030	0.15	0.006
3/4	19.05	0.750	9.50	0.375	0.89	0.035	0.15	0.006
1	25.40	1.00	12.7	0.500	1.06	0.042	0.20	0.008
1-1/2	38.10	1.50	19.05	0.750	1.20	0.047	0.28	0.011
2	50.80	2.00	25.40	1.000	1.65	0.065	0.56	0.022
3	76.20	3.00	38.10	1.500	1.65	0.065	0.56	0.022
4	101.60	4.00	50.80	2.000	1.78	0.070	0.51	0.020

**Color:** Standard Black  
 Nonstandard White, red, blue, yellow, green, orange, brown, violet and clear  
 (non-flame retardant jacket clear only)

Reference Specification TEC-108-120011, Type 1 (all colors) and Type 2 (clear)

THIS DRAWING IS UNPUBLISHED. ALL RIGHTS RESERVED. © COPYRIGHT 2018 TE Connectivity Ltd.

DIMENSIONS: INCHES	DWN	J. BITTER	15MAY2018	MATERIAL	-	FINISH	-		
	CHK	T. LICKO	-	 TE Connectivity					
TOLERANCES UNLESS OTHERWISE SPECIFIED:  0 PLC ± - 1 PLC ± - 2 PLC ± - 3 PLC ± - 4 PLC ± - ANGLES ± -	APVD	T. LICKO	-					NAME	
	PRODUCT SPEC			RAYCHEM TAT-125 ADHESIVE LINED TUBING					
	APPLICATION SPEC			Polyolefin, Flexible, Heat-Shrinkable					
	WEIGHT			SIZE	CAGE CODE	DRAWING NO	RESTRICTED TO		
			A4	06090	© TAT-125	-			
CUSTOMER DRAWING				SCALE	1:1	SHEET	1 OF 1	REV	4