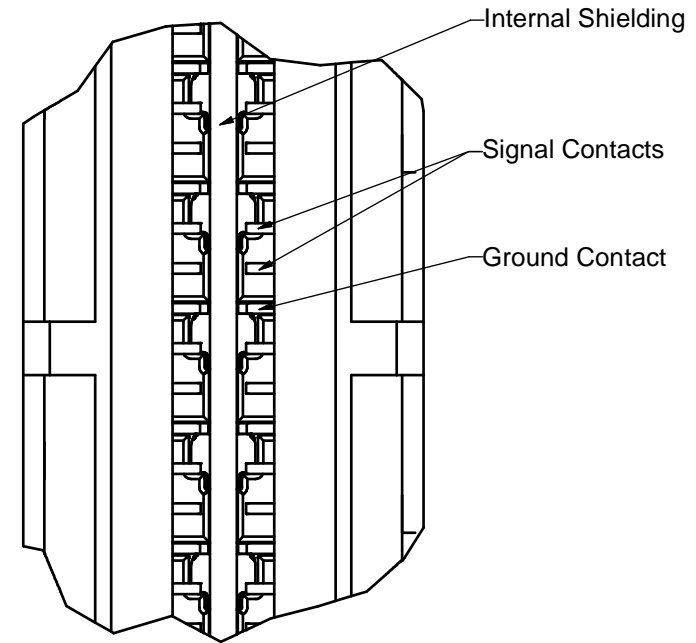


see note 11

A (10:1)

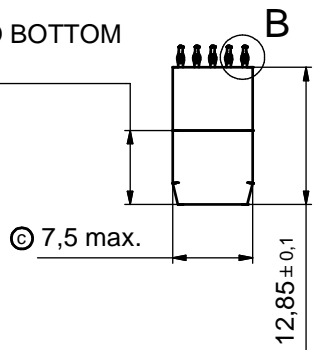


Internal Shielding  
Signal Contacts  
Ground Contact

NOTES:

- 1. PCB HOLE DIMENSIONS: SEE DETAIL ON PAGE 2
- 2. MATERIAL:  
HOUSING: LCP ; UL 94V-0 RATED; BLACK  
CONTACTS: COPPER ALLOY  
INTERNAL SHIELDING: STAINLESS STEEL
- 3. FINISH:  
MATING AREA: 0,76µm min GOLD over 1,27µm min NICKEL  
COMPLIANT PIN AREA: 0,8 - 1,5µm SN100 MATTE over 1,2 - 2µm NI
- 4. PCB THICKNESS: min 1,4mm
- 5. DWV: 80V r.m.s
- 6. INITIAL CONTACT RESISTANCE: 25mOHM max.
- 7. INSERTION FORCE: 100N max.
- 8. EXTRACTION FORCE: 65N max.
- 9. DURABILITY: 200 cycles
- 10. RECOMMENDED PRESS FIT TOOL 36-000050
- 11. CONNECTOR IS PART MARKED: 47-000001 CONEC ABC

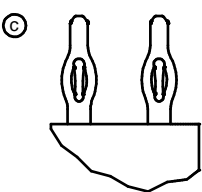
6,95 MEASURED TO BOTTOM OF CARD SLOT



12,85 ± 0,1

7,5 max.

B (10:1)



Directive 2002/95/EC  
RoHS  
Compliant

APPROVAL # FREIGABE # DEBLOCAGE # AUTORIZACION # APPROVAL	
CUSTOMER APPROVAL DATE:	
NAME:	TITLE:
COMPANY NAME:	
APPROVAL # FREIGABE # DEBLOCAGE # AUTORIZACION # APPROVAL	

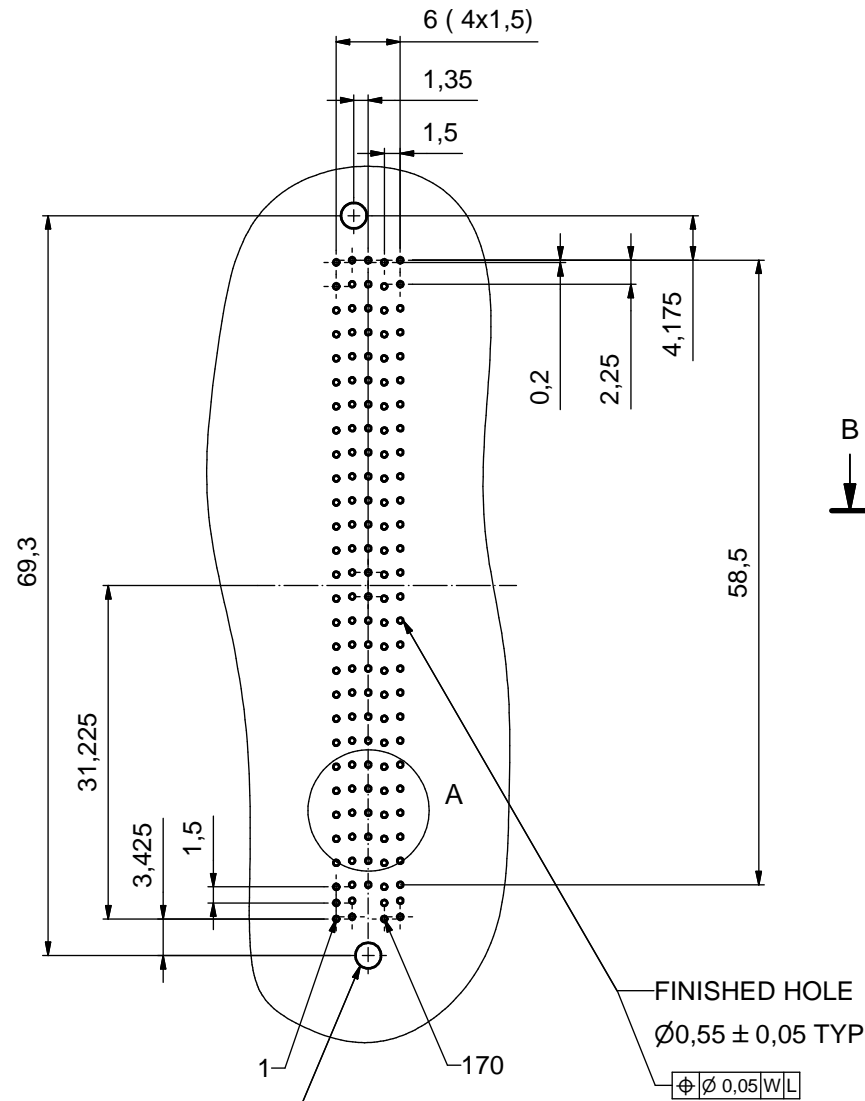
THIS DRAWING MAY NOT BE COPIED OR REPRODUCED IN ANY WAY, AND MAY NOT BE PASSED ON TO A THIRD PARTY WITHOUT WRITTEN PERMISSION.  
OWNERSHIP AND COPYRIGHT OF CONEC GmbH  
DO NOT ALTER CAD DRAWING BY HAND

1 x d	Ä3225	15.12.08	Sonne	norm	tolerance	dim. in mm	
5 x c	Ä2932	22.02.08	HS	d-old	date		name
3xb	Ä2815	20.09.	Sonne		drawn	28.08.2007	Sonnenberg
a	Origin				appd.	28.08.2007	Kühle
rev.	description	date	name				

scale: 2 : 1 (10:1)	
material:	
title: Micro TCA AMC BACKPLANE CONNECTOR Press Fit	
dwg no:	Inventor 10
47K1A00001	
part no:	47-000001

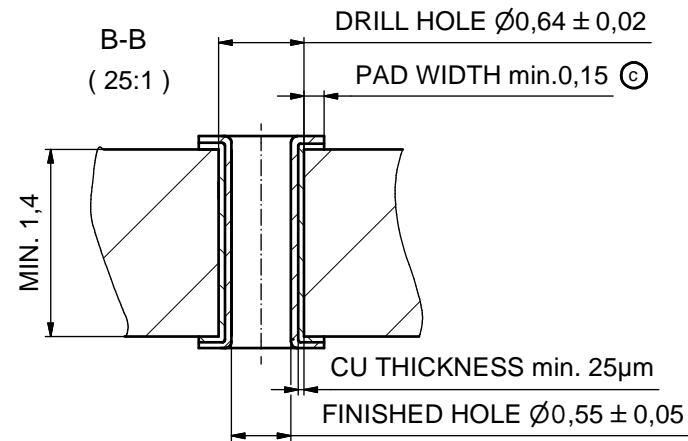
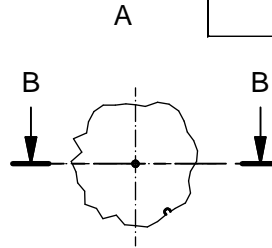


DIN-A3  
sh: 1



Functional Contact Pin List of Mating Interface

Power	2, 9, 18, 27, 42, 57, 72, 84
Ground	1, 7, 10, 13, 16, 19, 22, 25, 28, 31, 34, 37, 40, 43, 46, 49, 52, 55, 58, 61, 64, 67, 70, 73, 76, 79, 82, 85, 86, 89, 92, 95, 98, 101, 104, 107, 110, 113, 116, 119, 122, 125, 128, 131, 134, 137, 140, 143, 146, 149, 152, 155, 158, 161, 164, 170
General purpose	3, 4, 5, 6, 8, 17, 26, 41, 56, 71, 83, 165, 166, 167, 168, 169
Differential pairs	11/12, 14/15, 20/21, 23/24, 29/30, 32/33, 35/36, 38/39, 44/45, 47/48, 50/51, 53/54, 59/60, 62/63, 65/66, 68/69, 74/75, 77/78, 80/81, 87/88, 90/91, 93/94, 96/97, 99/100, 102/103, 105/106, 108/109, 111/112, 114/115, 117/118, 120/121, 123/124, 126/127, 129/130, 132/133, 135/136, 138/139, 141/142, 144/145, 147/148, 150/151, 153/154, 156/157, 159/160, 162/163



Ø2,4 ± 0,1  
2PLC  
Ø 0,05 W/L

APPROVAL # FREIGABE # DEBLOCAGE # AUTORIZACION # APPROVAL

CUSTOMER APPROVAL DATE:

NAME: TITLE:

COMPANY NAME:

APPROVAL # FREIGABE # DEBLOCAGE # AUTORIZACION # APPROVAL

THIS DRAWING MAY NOT BE COPIED OR REPRODUCED IN ANY WAY, AND MAY NOT BE PASSED ON TO A THIRD PARTY WITHOUT WRITTEN PERMISSION. OWNERSHIP AND COPYRIGHT OF CONEC GmbH DO NOT ALTER CAD DRAWING BY HAND

1 x d	3xb	a	rev.	description	date	name	tolerance	dim. in mm
1	3	a	1	Ä3225	15.12.08	Sonne	norm	date
5	3	a	1	Ä2932	22.02.08	HS	d-old	name
3	3	a	1	Ä2815	20.09.	Sonne		drawn
								appd.
								28.08.2007
								Sonnenberg
								Kühle

scale: 2:1 ; (25:1)

material:

title: Micro TCA  
AMC BACKPLANE CONNECTOR  
Press Fit

dwg no: Inventor 10

part no: see sheet 1

DIN-A3  
sh: 2

