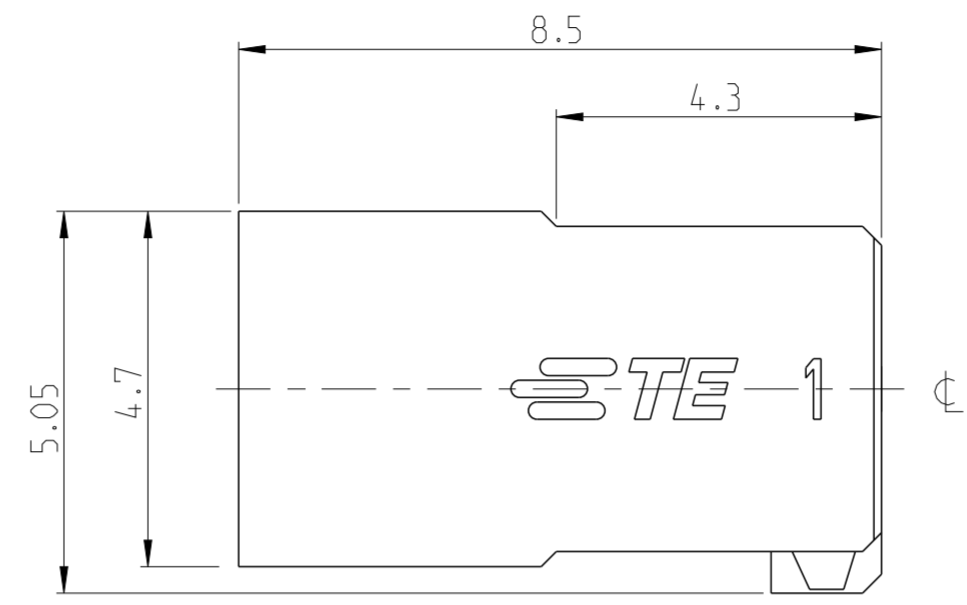
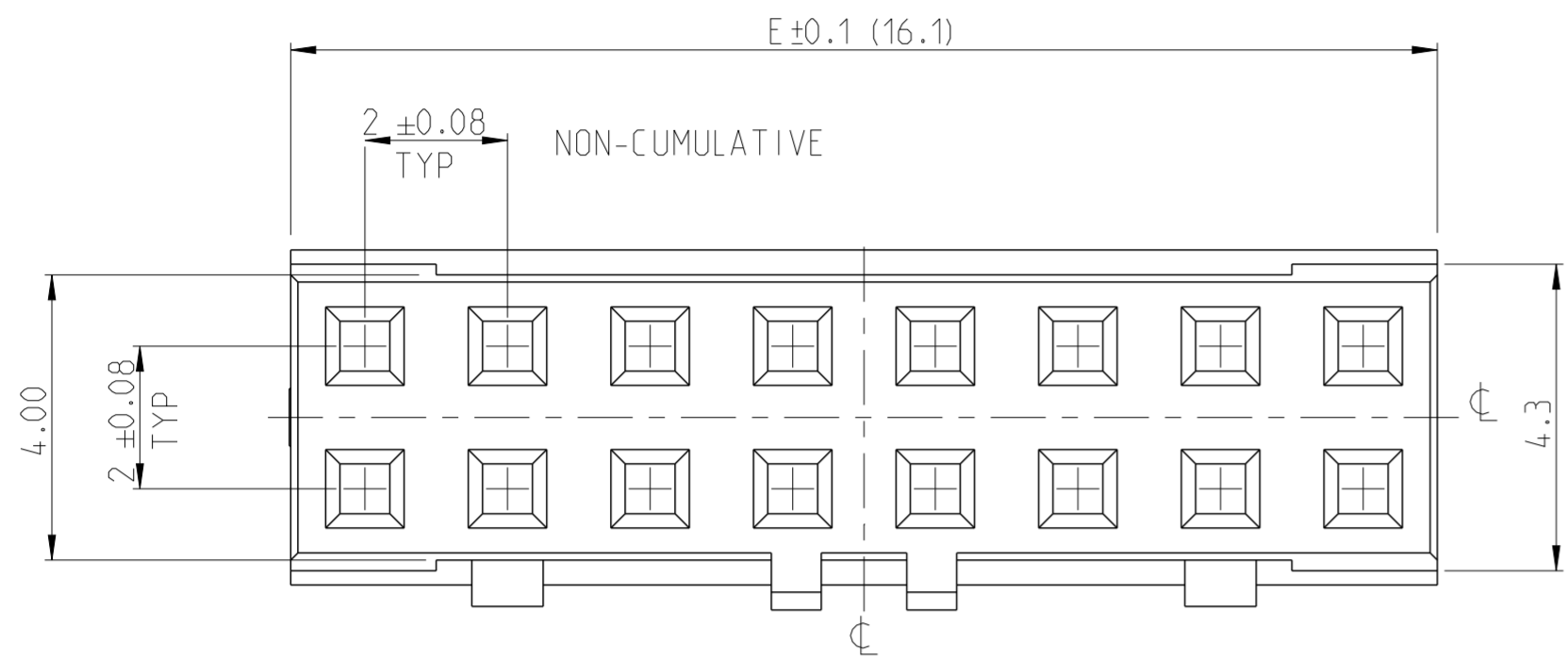
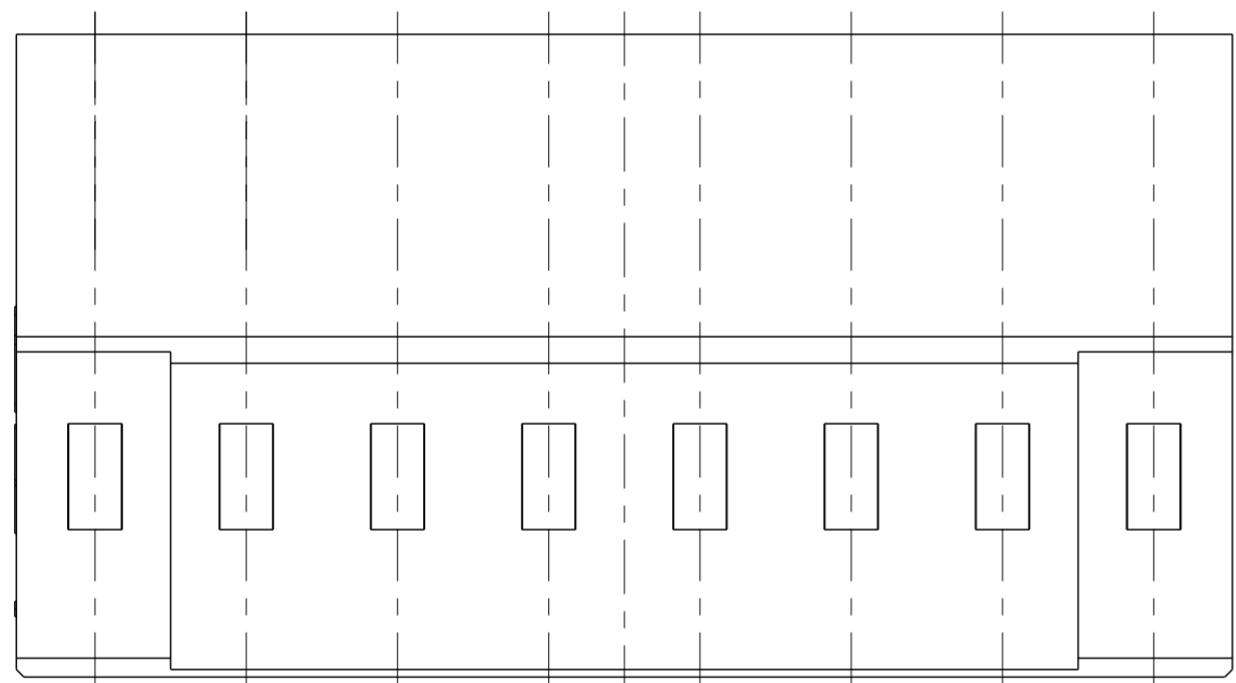


| P  | LTR | DESCRIPTION            | DATE      | DWN | APVD |
|----|-----|------------------------|-----------|-----|------|
| A  |     | RELEASE TO PRODUCTION  | 02APR2020 | AY  | PS   |
| A1 |     | 34 POSITION ADDED      | 11MAR2021 | AY  | PS   |
| A2 |     | SMART PN DETAILS ADDED | 15FEB2022 | SCB | PS   |

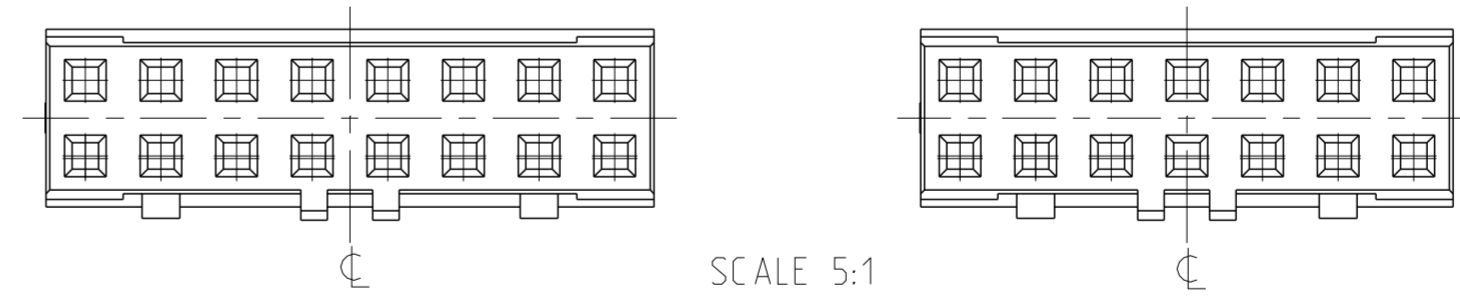


NOTES:

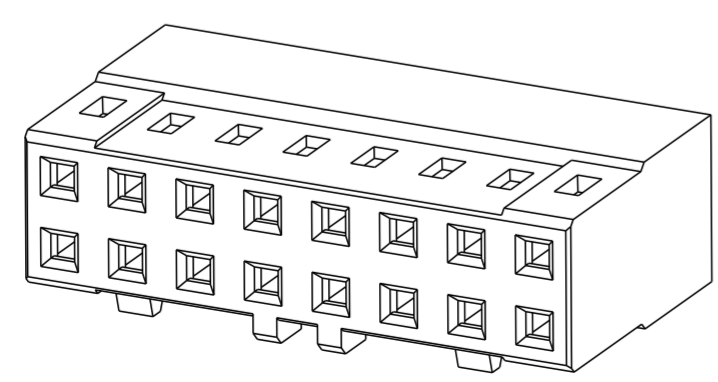
1. MATERIAL:  
LCP BLACK, UL94 V0
2. N = NUMBER OF POSITION PER HOUSING.
3. HOUSING TO BE USED WITH CRIMP CONTACTS  
2316113 (AWG 28-24/0.08-0.22 mm<sup>2</sup>) AND  
2316114 (AWG 30-28/0.05-0.08 mm<sup>2</sup>)
4. PACKAGING : BULK BOX



CENTER LINE FOR ODD AND EVEN POSITION HOUSINGS



DUAL ROW HOUSING  
POLARIZED W/ LOCKING RAMP.  
1- -6 AS SHOWN



SCALE 5:1

|         |    |                |
|---------|----|----------------|
| 50.1    | 50 | 2MM-RCD-D25-BX |
| 44.1    | 44 | 2MM-RCD-D22-BX |
| 40.1    | 40 | 2MM-RCD-D20-BX |
| 34.1    | 34 | 2MM-RCD-D17-BX |
| 32.1    | 32 | 2MM-RCD-D16-BX |
| 30.1    | 30 | 2MM-RCD-D15-BX |
| 28.1    | 28 | 2MM-RCD-D14-BX |
| 26.1    | 26 | 2MM-RCD-D13-BX |
| 24.1    | 24 | 2MM-RCD-D12-BX |
| 22.1    | 22 | 2MM-RCD-D11-BX |
| 20.1    | 20 | 2MM-RCD-D10-BX |
| 18.1    | 18 | 2MM-RCD-D09-BX |
| 16.1    | 16 | 2MM-RCD-D08-BX |
| 14.1    | 14 | 2MM-RCD-D07-BX |
| DIM "E" | N  | SMART PN       |

THIS DRAWING IS A CONTROLLED DOCUMENT.

|                        |   |  |  |
|------------------------|---|--|--|
| DIMENSIONS:<br>mm      | TOLERANCES UNLESS OTHERWISE SPECIFIED:<br>0 PLC ±<br>1 PLC ±0.15<br>2 PLC ±0.10<br>3 PLC ±<br>4 PLC ±<br>ANGLES ±2°<br>FINISH - | DWN 06SEP2016<br>CHK 06SEP2016<br>APVD 06SEP2016<br>PRODUCT SPEC<br>APPLICATION SPEC<br>WEIGHT - | NAME<br>AMPMODU 2mm RECEPTACLE, w/B HOUSING, CRIMP, DR, W/ LOCK RAMP |
| MATERIAL<br>SEE NOTE 1 |   | 108-64040-1<br>114-32173   | SIZE<br>A2   |
|                        |   | CUSTOMER DRAWING   | RESTRICTED TO -  |

TE Connectivity

SCALE 10:1 SHEET 1 OF 2 REV A2

| P | LTR | DESCRIPTION | DATE | DWN | APVD |
|---|-----|-------------|------|-----|------|
| - | -   | SEE SHEET 1 | -    | -   | -    |
|   |     |             |      |     |      |
|   |     |             |      |     |      |

SMART PART NUMBER  
2MM -RCD- D\_\_ - BX

PRODUCT SERIES

2MM AMPMODU 2mm SERIES

GENDER / TYPE

RCD RECEPTACLE HOUSING FOR CRIMP WITH DETENT LATCH

NUMBER OF ROWS

D DUAL ROW

PACKAGING


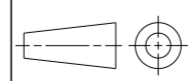
BX BOX

NUMBER OF PINS PER ROW

XX 07 THROUGH 25  
(ENTER TWO DIGITS)

SMART PN EXAMPLES:

- 2MM-RCD-D07-BX:  
AMPMODU 2mm, RECEPTACLE HOUSING FOR CRIMP WITH DETENT LATCH, DUAL ROW, 07 POSITION PER ROW, BOX PACKAGING
- 2MM-RCD-D25-BX:  
AMPMODU 2mm, RECEPTACLE HOUSING FOR CRIMP WITH DETENT LATCH, DUAL ROW, 25 POSITION PER ROW, BOX PACKAGING

|   |  |   |   |  |  |
|---|--|---|---|--|--|
| THIS DRAWING IS A CONTROLLED DOCUMENT.  |  | DWN<br>06SEP2016<br>RAKSHITH R NAYAK  |  TE Connectivity |  |  |
| DIMENSIONS:<br>mm   |  | CHK<br>06SEP2016<br>PRASHANTH S   |   |  |  |
|  |  | TOLERANCES UNLESS OTHERWISE SPECIFIED:<br>0 PLC ±<br>1 PLC ±0.15<br>2 PLC ±0.10<br>3 PLC ±<br>4 PLC ±<br>ANGLES ±2°<br>FINISH - |   | APVD<br>06SEP2016<br>PRASHANTH S<br>PRODUCT SPEC<br>108-64040-1<br>APPLICATION SPEC<br>114-32173<br>WEIGHT -<br>CUSTOMER DRAWING | NAME<br>AMPMODU 2mm RECEPTACLE, w/B HOUSING, CRIMP, DR, W/ LOCK RAMP<br>SIZE<br>A2 |
| MATERIAL<br>SEE NOTE 1  |  | DRAWING NO<br>C-2316109<br>SCALE 1:1<br>SHEET 2 OF 2<br>REV A2  |   | RESTRICTED TO<br>-   |  |