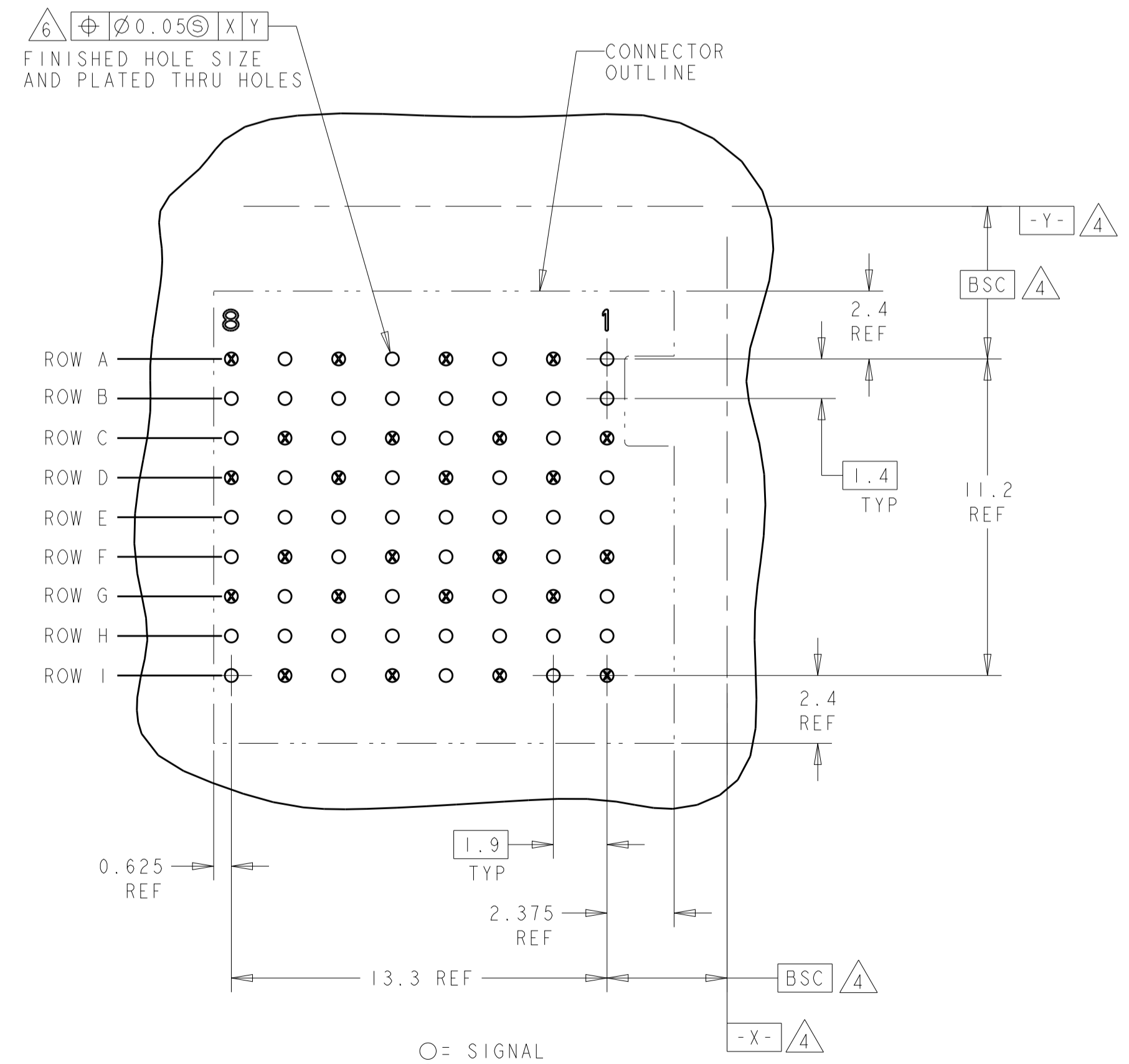
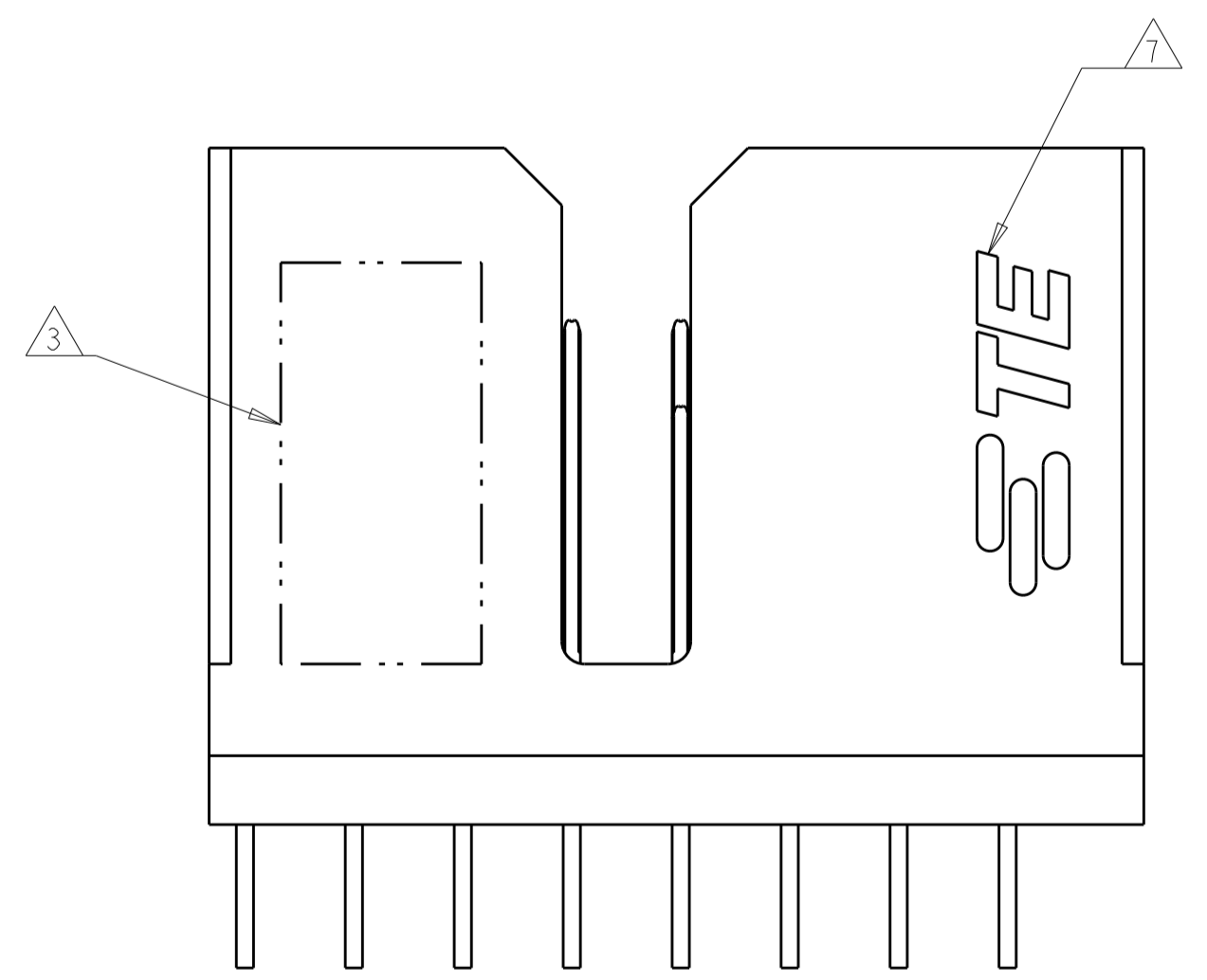
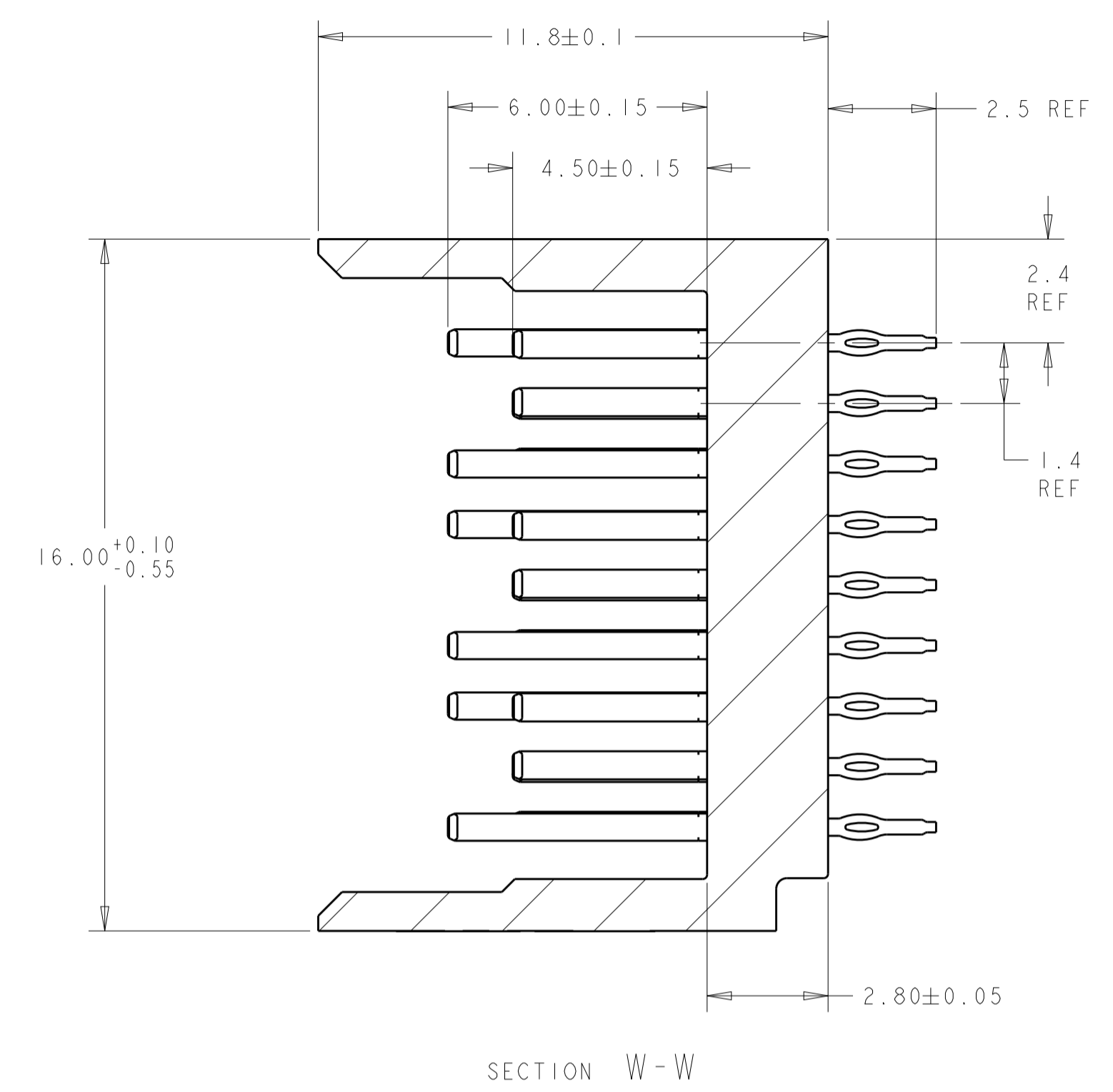
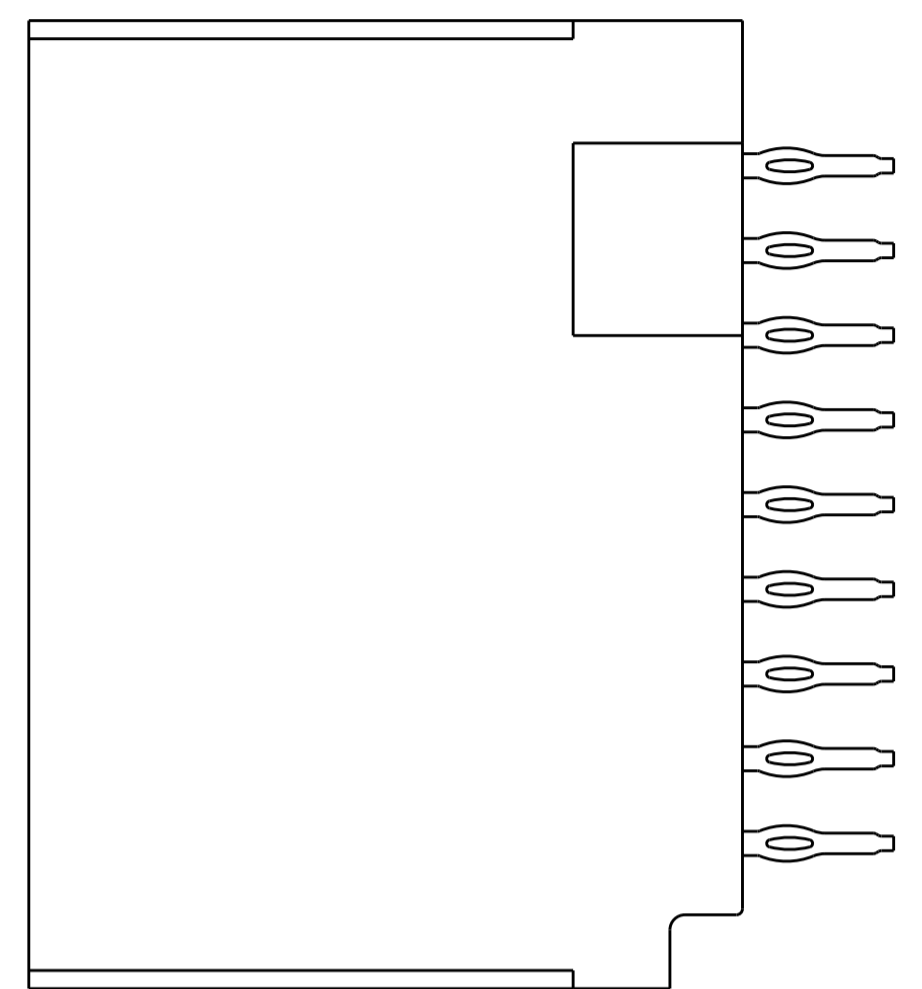
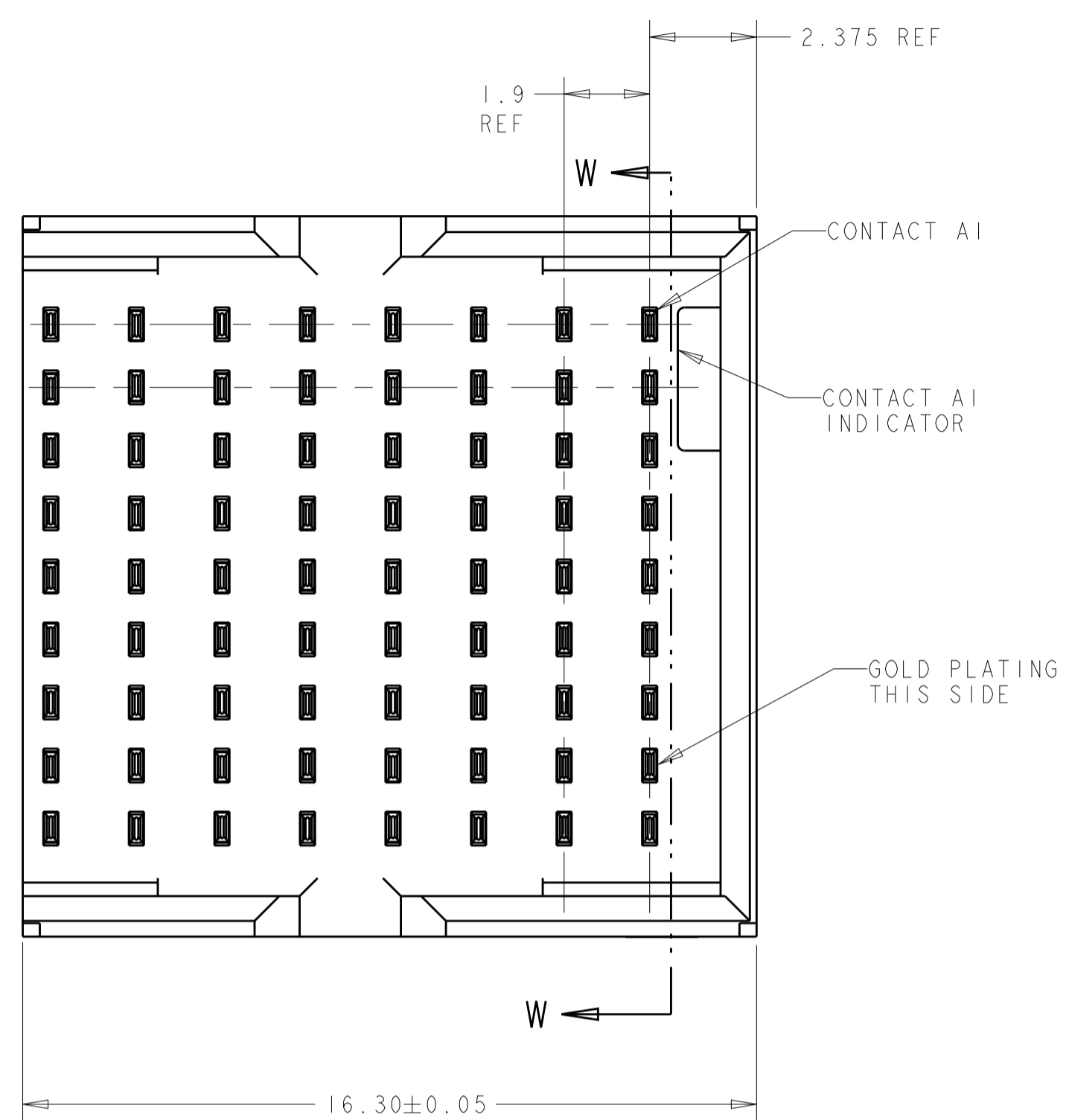


LOC	DIST	REVISIONS			
P	LTN	DESCRIPTION	DATE	DWN	APVD
E		REVISED PER ECO-13-010626	31JUL2013	KH	RP
F		REVISED PER ECO-19-012987	26AUG2019	AP	SY



- 1 MATERIAL:
CONTACT - PHOS BRONZE
HOUSING - LCP, UL 94V-0, COLOR - BLACK
- 2 FINISH: CONTACT
MATING AREA - 0.76µm MIN GOLD OVER 1.27µm MIN NICKEL
COMPLIANT PIN AREA - 0.5µm MIN MATTE TIN OVER 1.27µm MIN NICKEL
- 3 CONNECTOR MARKED WITH PART NUMBER, DATE CODE AND STANDARD IN APPROXIMATE AREA SHOWN
- 4 DATUMS AND BASIC DIMENSIONS ESTABLISHED BY CUSTOMER.
- 5. CONTACT AREA LUBRICATED WITH BELLCORE APPROVED LUBRICANT. TECHNICAL REFERENCE GR-1217-CORE, ISSUE 1, NOVEMBER 1995.
- 6 REFERENCE APPLICATION SPEC 114-13202 FOR RECOMMENDED PLATED THRU HOLE DIAMETER AND PLATING THICKNESSES.
- 7 SHOWN LOGO OR OTHER TE OWNED LOGOS IN APPROXIMATE AREA

○ = SIGNAL
 ⊗ = GROUND
 RECOMMENDED PC BOARD LAYOUT BACKPLANE, COMPONENT SIDE SHOWN
 SCALE 6:1

THIS DRAWING IS A CONTROLLED DOCUMENT.		DWN B. MCMASTER 31MAY2007	1934300-1 PART NUMBER	
DIMENSIONS:		CHK W. DAVIS 31MAY2007	NAME HEADER ASSEMBLY, LEFT WALL, 3 PAIR, 8 COLUMN TinMan	
TOLERANCES UNLESS OTHERWISE SPECIFIED:		APVD W. DAVIS 31MAY2007	SIZE A100779C=1934300	
mm	0 PLC ± 1 PLC ± 2 PLC ± 3 PLC ± 4 PLC ±	PRODUCT SPEC	RESTRICTED TO	
ANGLES	FINISH	APPLICATION SPEC	SCALE 8:1 SHEET 1 OF 1 REV F	
MATERIAL	FINISH	WEIGHT	CUSTOMER DRAWING	