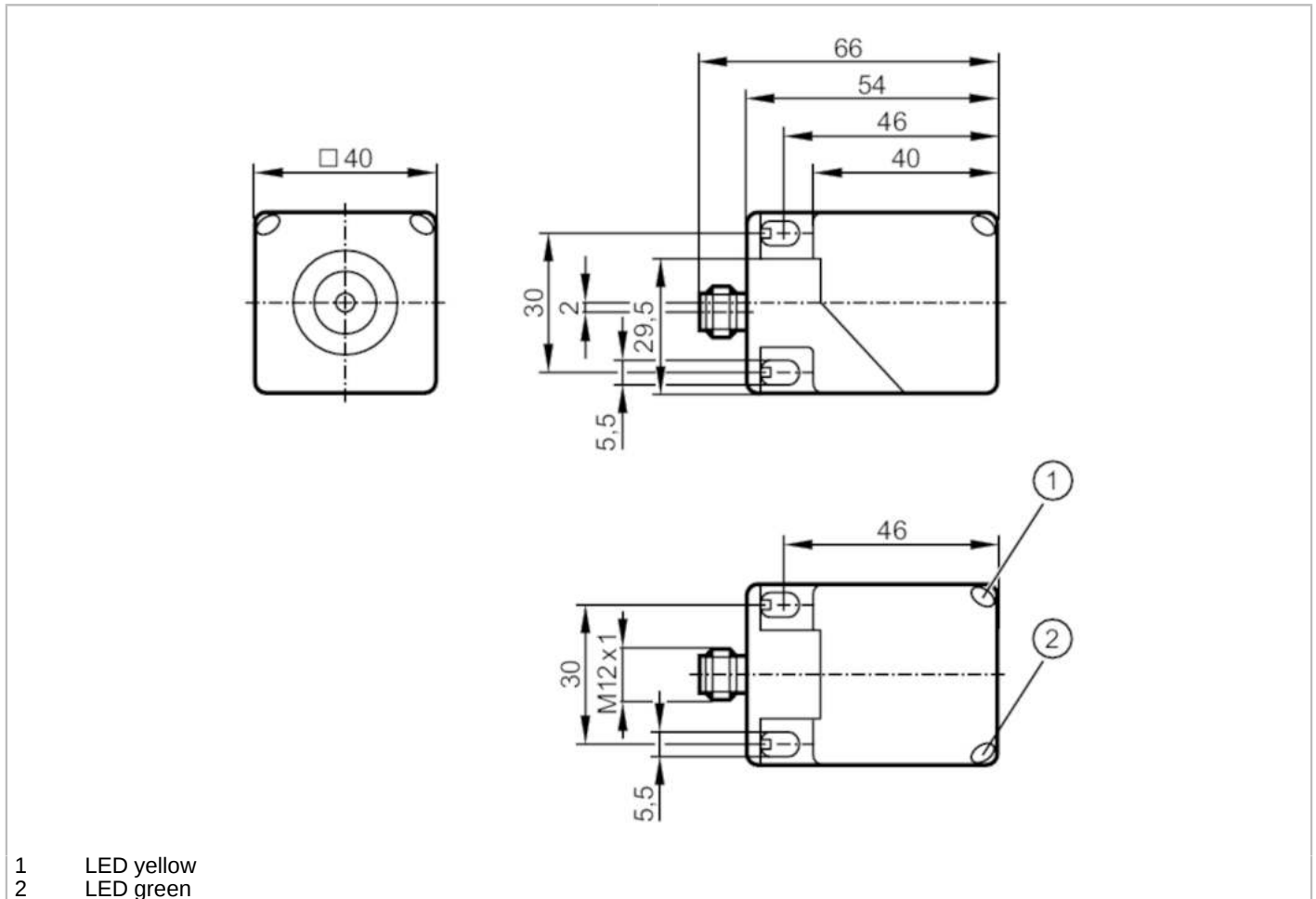


DTI513



RFID read/write head HF

DTRHF MCRWIOUS03



- 1 LED yellow
- 2 LED green



Application		
Application	detection of objects on transport equipment	
Radio approval for	USA; Canada; EU/RED; Australia; Japan; China; Taiwan; India; Singapore; Malaysia	
Note on radio approval	The list of countries applying the European Radio Equipment Directive 2014/53/EU (RED) can be found under "Downloads".	
Electrical data		
Operating voltage [V]	19.2...28.8 DC	
Current consumption [mA]	< 50	
Protection class	III	
Operating frequency [MHz]	13,56	
RFID standard	ISO 15693	
Detection zone		
Distance to the ID tag [mm]	read	: ≤ 60
	static	
	referred to 30 mm coin tag; I-CODE SLI	
Interfaces		
Communication interface	IO-Link	
Transmission type	COM2 (38,4 kBaud)	

DTI513



RFID read/write head HF

DTRHF MCRWIOUS3

IO-Link revision	1.1	
SDCI standard	IEC 61131-9	
Profiles	Smart Sensor: Device Identification	
SIO mode	no	
Required master port type	A	
Supported DeviceIDs	Type of operation	DeviceID
	Default	967

Operating conditions

Ambient temperature	[°C]	-20...60
Storage temperature	[°C]	-25...80
Protection	IP 67; IP 69K	

Tests / approvals

Shock resistance	EN 60068-2-27	40 g 6 ms / repetitive
	EN 60068-2-27	50 g 11 ms / not repetitive
Vibration resistance	EN 60068-2-6	20 g 10...2000 Hz
UL approval	Ta	-20...60 °C
	Enclosure type	Type 1
	power supply	Limited Voltage/Current
	File number UL	E205959

Mechanical data

Weight	[g]	192
Housing	rectangular	
Mounting	flush mountable	
Dimensions	[mm]	40 x 40 x 54
Materials	housing: PA; metal parts: stainless steel	

Displays / operating elements

Display	operation	1 x LED, green
	tag communication	1 x LED, yellow

Remarks

Pack quantity	1 pcs.
---------------	--------

Electrical connection

Connector: 1 x M12; coding: A



DTI513



RFID read/write head HF

DTRHF MCRWIOUS03

Connection

