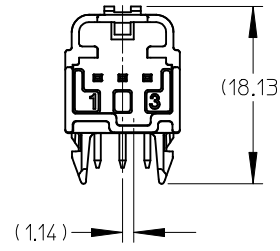
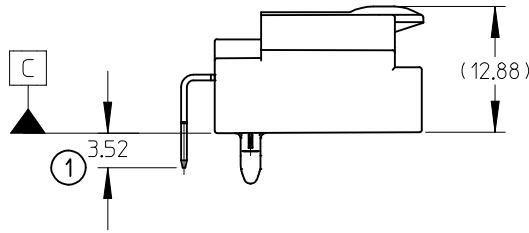
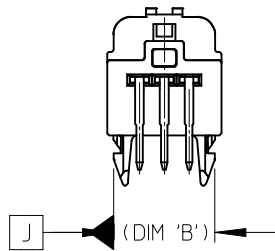
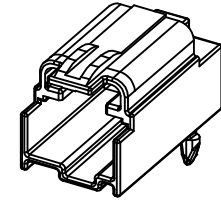
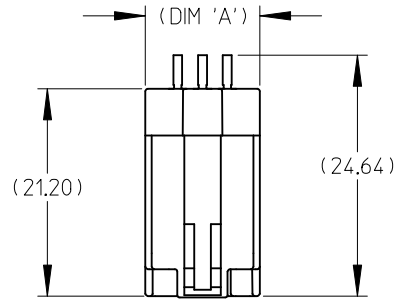
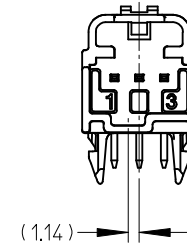


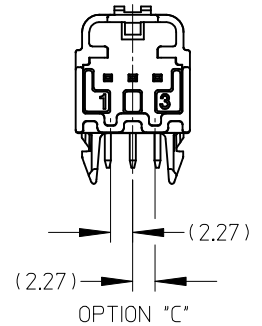
3 WAY RIGHT ANGLE  
HEADER ASSEMBLY  
(POLARIZATION OPTIONS  
VIEWED FROM MATE SIDE)



OPTION "A"

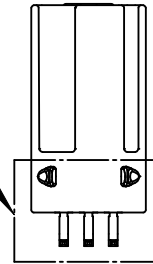


OPTION "B"



OPTION "C"

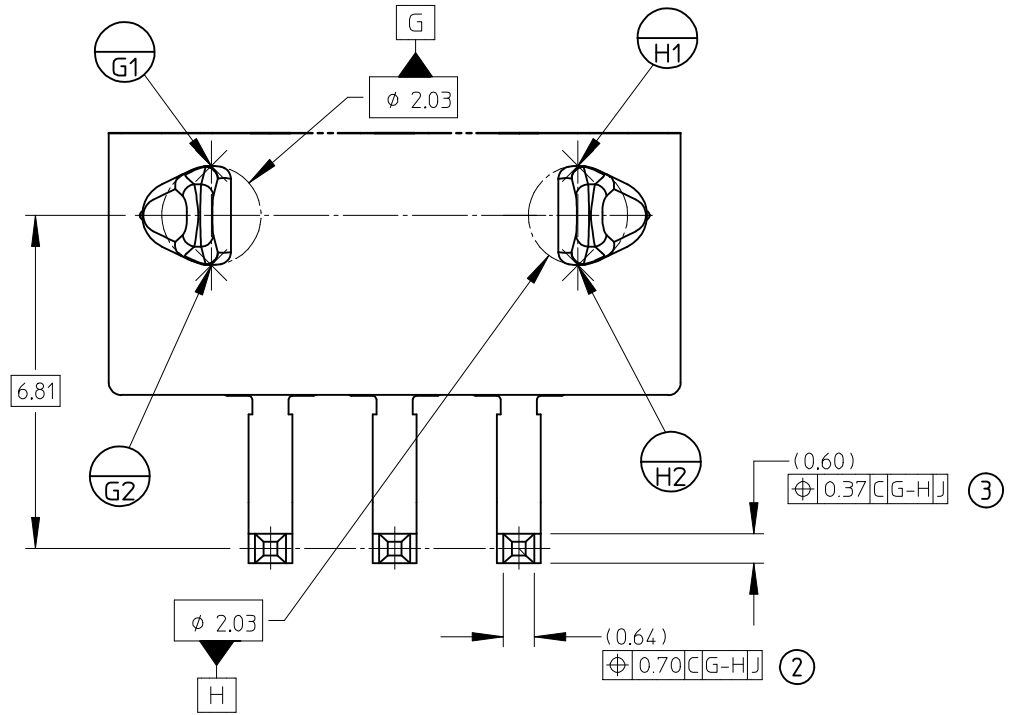
SEE DETAIL 1



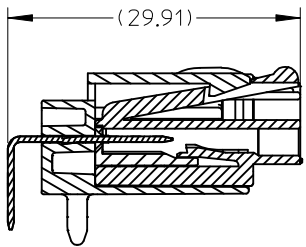
NOTES:

1. MATERIAL:  
HOUSING: SYNDIOTATIC POLYSTYRENE (SPS).  
COLOR: SEE CHART.  
TERMINAL: BRASS.
2. FINISH:  
TERMINAL: 60 MICROINCHES MIN NICKEL (Ni)  
UNDERPLATE OVERALL. 60 MICROINCHES MIN  
SELECTIVE TIN (Sn).
3. PRODUCT SPEC NUMBER PS-31100-0001.
4. PACKAGING PER PACKAGING SPEC.: SEE CHART.
5. MATES WITH SEE CHART.

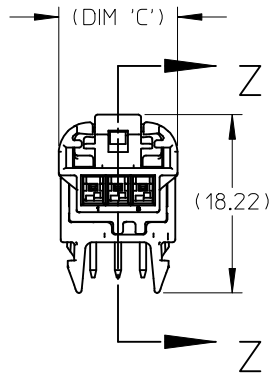
ENTER DESCRIPTION EC NO: UAU2017-0938 DRWN: JFISCHER01 2017/04/14 CHKD: APPR: RBAUMAN 2017/05/05 REV F2	QUALITY SYMBOLS ▽=0 ▽=0	GENERAL TOLERANCES (UNLESS SPECIFIED) mm INCH 4 PLACES ± --- ± --- 3 PLACES ± --- ± --- 2 PLACES ± 0.13 ± --- 1 PLACE ± 0.25 ± --- ANGULAR ± 1/2°	DIMENSION STYLE MM ONLY DRAWN BY DATE MDEVITO 01/12/06 CHECKED BY DATE BCOURIM 01/12/07 APPROVED BY DATE GMEYER 01/12/07	SCALE 2:1 TITLE RIGHT ANGLE HEADER ASSEMBLY CHARTED SALES DRAWING MOLEX MOLEX INCORPORATED MATERIAL NO. SEE CHART DOCUMENT NO. SD-31197-003	DESIGN UNITS METRIC THIRD ANGLE PROJECTION	SHEET NO. 1 OF 8
	DRAFT WHERE APPLICABLE MUST REMAIN WITHIN DIMENSIONS		SIZE B	THIS DRAWING CONTAINS INFORMATION THAT IS PROPRIETARY TO MOLEX INCORPORATED AND SHOULD NOT BE USED WITHOUT WRITTEN PERMISSION		



DETAIL1  
SCALE 10:1

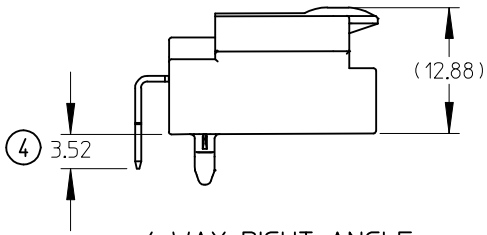


SECTION Z-Z  
SCALE 2:1

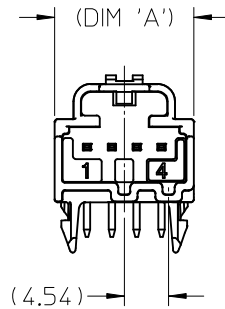


FULLY SEATED ASSEMBLY

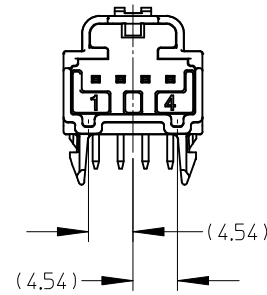
<b>ENTER DESCRIPTION</b> EC NO: UAU2017-0938 DRWN: JFISCHER01 2017/04/14 CHKD: APPR: RBAUMAN 2017/05/05 REV: F2	QUALITY SYMBOLS ▽=0 ▽=0	GENERAL TOLERANCES (UNLESS SPECIFIED) <table border="1"> <thead> <tr> <th></th> <th>mm</th> <th>INCH</th> </tr> </thead> <tbody> <tr> <td>4 PLACES</td> <td>±---</td> <td>±---</td> </tr> <tr> <td>3 PLACES</td> <td>±---</td> <td>±---</td> </tr> <tr> <td>2 PLACES</td> <td>±0.13</td> <td>±---</td> </tr> <tr> <td>1 PLACE</td> <td>±0.25</td> <td>±---</td> </tr> </tbody> </table> ANGULAR ±1/2°		mm	INCH	4 PLACES	±---	±---	3 PLACES	±---	±---	2 PLACES	±0.13	±---	1 PLACE	±0.25	±---	DIMENSION STYLE <b>MM ONLY</b>	SCALE <b>1:1</b>	DESIGN UNITS <b>METRIC</b>	THIRD ANGLE PROJECTION
		mm	INCH																		
	4 PLACES	±---	±---																		
	3 PLACES	±---	±---																		
2 PLACES	±0.13	±---																			
1 PLACE	±0.25	±---																			
DRAWN BY MDEVITO	DATE 01/12/06	CHECKED BY BCOURIM	DATE 01/12/07	TITLE <b>RIGHT ANGLE HEADER ASSEMBLY CHARTED SALES DRAWING</b>																	
APPROVED BY GMEYER	DATE 01/12/07	MATERIAL NO. <b>SEE CHART</b>			DOCUMENT NO. <b>SD-31197-003</b>	SHEET NO. 2 OF 8															
DRAFT WHERE APPLICABLE MUST REMAIN WITHIN DIMENSIONS																					



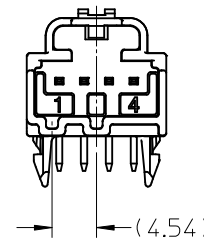
4 WAY RIGHT ANGLE  
HEADER ASSEMBLY  
(POLARIZATION OPTIONS  
VIEWED FROM MATE SIDE)



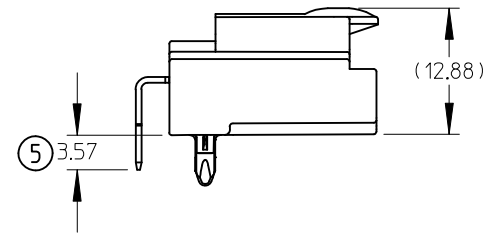
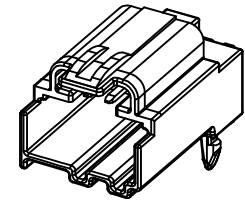
OPTION "A"



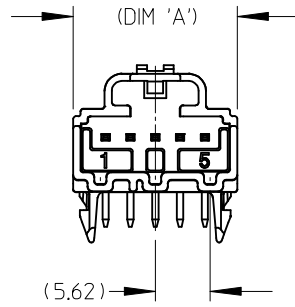
OPTION "B"



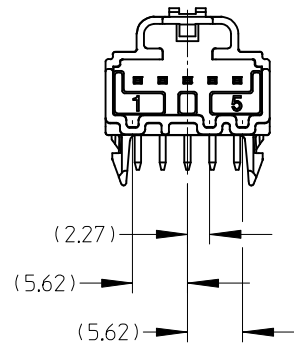
OPTION "C"



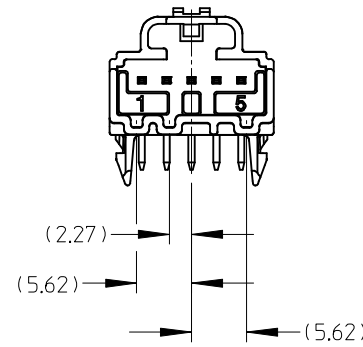
5 WAY RIGHT ANGLE  
HEADER ASSEMBLY  
(POLARIZATION OPTIONS  
VIEWED FROM MATE SIDE)



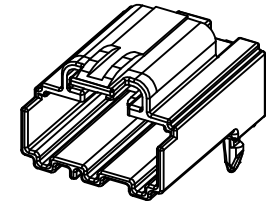
OPTION "A"



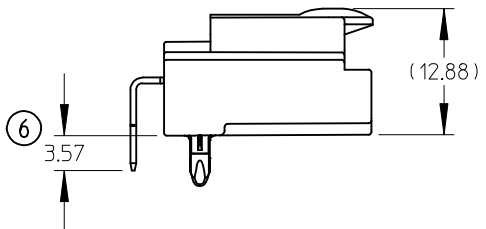
OPTION "B"



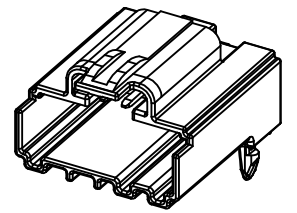
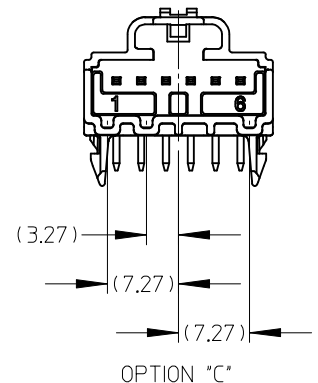
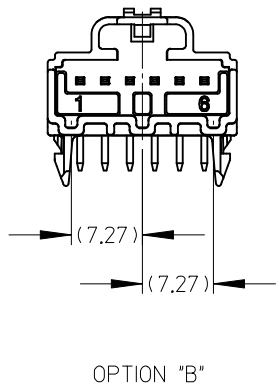
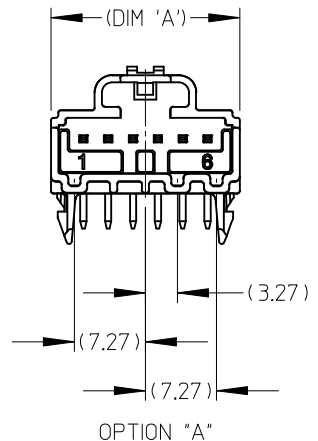
OPTION "C"



<b>ENTER DESCRIPTION</b> EC NO: JAU2017-0938 DRWN: JFISCHER01 2017/04/14 CHKD: APPR: RBALUMAN 2017/05/05 F2	QUALITY SYMBOLS ▽=0 ▽=0	GENERAL TOLERANCES (UNLESS SPECIFIED) mm INCH 4 PLACES ± --- ± --- 3 PLACES ± --- ± --- 2 PLACES ± 0.13 ± --- 1 PLACE ± 0.25 ± --- ANGULAR ±1/2°	DIMENSION STYLE MM ONLY DRAWN BY DATE MDEVITO 01/12/06 CHECKED BY DATE BCOURIM 01/12/07 APPROVED BY DATE GMEYER 01/12/07	SCALE 2:1 DESIGN UNITS METRIC THIRD ANGLE PROJECTION
	DRAFT WHERE APPLICABLE MUST REMAIN WITHIN DIMENSIONS			TITLE RIGHT ANGLE HEADER ASSEMBLY CHARTED SALES DRAWING
	MATERIAL NO. SEE CHART			MOLEX INCORPORATED DOCUMENT NO. SD-31197-003
	SIZE B			SHEET NO. 3 OF 8 THIS DRAWING CONTAINS INFORMATION THAT IS PROPRIETARY TO MOLEX INCORPORATED AND SHOULD NOT BE USED WITHOUT WRITTEN PERMISSION



6 WAY RIGHT ANGLE  
HEADER ASSEMBLY  
(POLARIZATION OPTIONS  
VIEWED FROM MATE SIDE)



<b>ENTER DESCRIPTION</b> EC NO: UAU2017-0938 DRWN: JFISCHER01 2017/04/14 CHKD: APPR: RBAUMAN 2017/05/05 REV <b>F2</b>	QUALITY SYMBOLS ▽=0 ▽=0	GENERAL TOLERANCES (UNLESS SPECIFIED)		DIMENSION STYLE <b>MM ONLY</b>		SCALE <b>1:1</b>	DESIGN UNITS <b>METRIC</b>	THIRD ANGLE PROJECTION	
		4 PLACES ± --- ± --- 3 PLACES ± --- ± --- 2 PLACES ± 0.13 ± --- 1 PLACE ± 0.25 ± ---	mm INCH	DRAWN BY MDEVITO	DATE 01/12/06	TITLE <b>RIGHT ANGLE HEADER ASSEMBLY CHARTED SALES DRAWING</b>			
		ANGULAR ±1/2°		CHECKED BY BCOURIM	DATE 01/12/07	MOLEX INCORPORATED			
	DRAFT WHERE APPLICABLE MUST REMAIN WITHIN DIMENSIONS		MATERIAL NO. SEE CHART	APPROVED BY GMEYER	DATE 01/12/07	DOCUMENT NO. SD-31197-003	SHEET NO. 4 OF 8		THIS DRAWING CONTAINS INFORMATION THAT IS PROPRIETARY TO MOLEX INCORPORATED AND SHOULD NOT BE USED WITHOUT WRITTEN PERMISSION

BILL OF MATERIALS						
FEMALE MATING ASSEMBLY	HEADER ASSEMBLY P/N PER DWG. PK-31300-577 (TRAY PKG)	DESCRIPTION	COLOR	DIM 'A'	DIM 'B'	DIM 'C'
31067-1010	31100-0030 NOT TOOLED	3 WAY RIGHT ANGLE HEADER ASSEMBLY POLARIZATION "A"	BLACK	11.69	10.33	12.14
31067-1011	31100-0031 NOT TOOLED	3 WAY RIGHT ANGLE HEADER ASSEMBLY POLARIZATION "B"	GRAY	11.69	10.33	12.14
31067-1012	31100-0032 NOT TOOLED	3 WAY RIGHT ANGLE HEADER ASSEMBLY POLARIZATION "C"	BROWN	11.69	10.33	12.14
31068-1010	31100-0040	4 WAY RIGHT ANGLE HEADER ASSEMBLY POLARIZATION "A"	BLACK	14.23	12.87	14.68
31068-1011	31100-0041	4 WAY RIGHT ANGLE HEADER ASSEMBLY POLARIZATION "B"	GRAY	14.23	12.87	14.68
31068-1012	31100-0042	4 WAY RIGHT ANGLE HEADER ASSEMBLY POLARIZATION "C"	BROWN	14.23	12.87	14.68

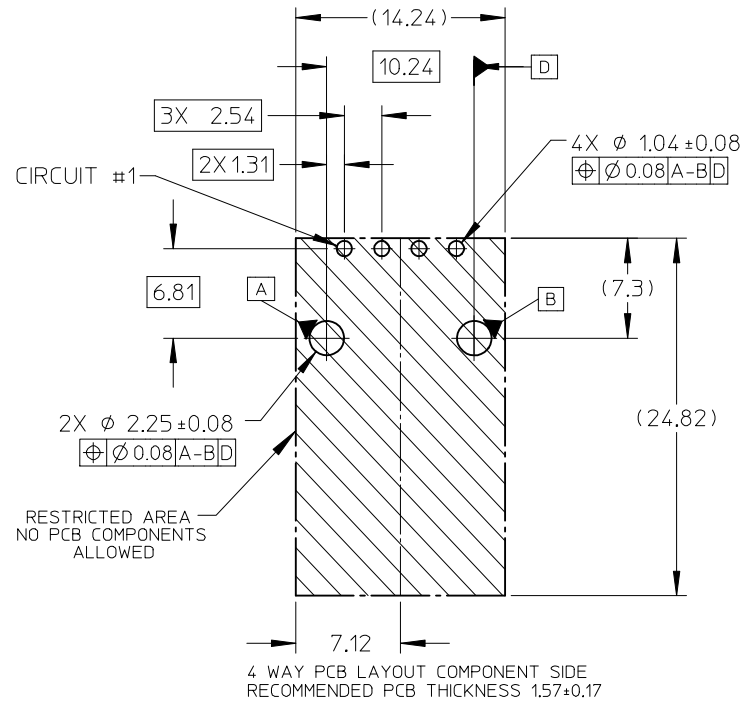
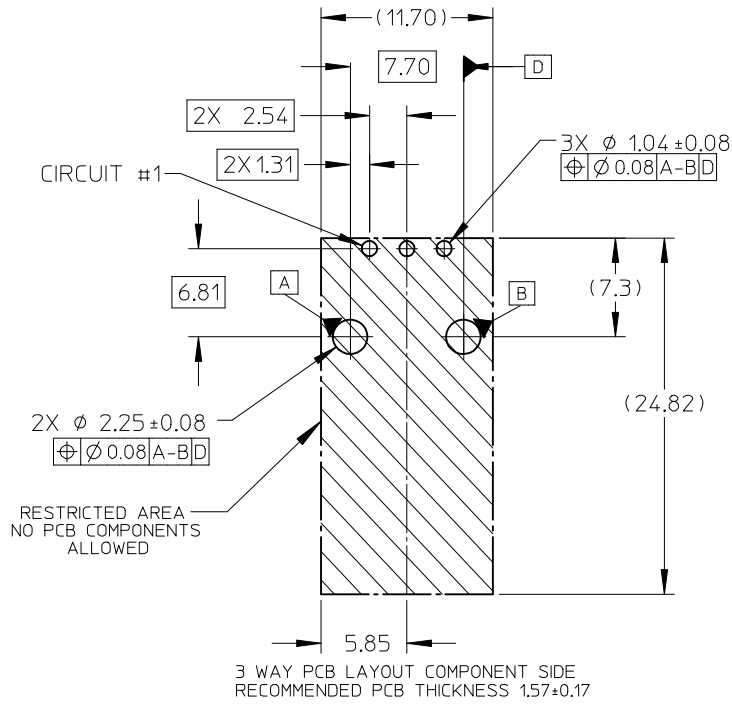
ENTER DESCRIPTION EC NO: UAU2017-0938 DRWN: JFISCHER01 2017/04/14 CHKD: APPR: RBAUMAN 2017/05/05	QUALITY SYMBOLS	GENERAL TOLERANCES (UNLESS SPECIFIED)	DIMENSION STYLE	SCALE	DESIGN UNITS	THIRD ANGLE PROJECTION
	▼=0	mm INCH	MM ONLY		METRIC	
	▽=0	4 PLACES ± --- ± ---	DRAWN BY DATE	TITLE RIGHT ANGLE HEADER ASSEMBLY CHARTED SALES DRAWING		
		3 PLACES ± --- ± ---	MDEVITO 01/12/06			
		2 PLACES ± 0.13 ± ---	CHECKED BY DATE	MOLEX INCORPORATED		
	1 PLACE ± 0.25 ± ---	BCOURIM 01/12/07				
	ANGULAR ± 1/2°	APPROVED BY DATE	DOCUMENT NO.			
		GMEYER 01/12/07	SD-31197-003			
			MATERIAL NO.	SHEET NO.		
			SEE CHART	5 OF 8		
			SIZE B	THIS DRAWING CONTAINS INFORMATION THAT IS PROPRIETARY TO MOLEX INCORPORATED AND SHOULD NOT BE USED WITHOUT WRITTEN PERMISSION		

BILL OF MATERIALS

FEMALE MATING ASSEMBLY	HEADER ASSEMBLY P/N PER DWG. PK-31300-577 (TRAY PKG)	DESCRIPTION	COLOR	DIM 'A'	DIM 'B'	DIM 'C'
31072-1010	31100-0050 NOT TOOLED	5 WAY RIGHT ANGLE HEADER ASSEMBLY POLARIZATION "A"	BLACK	16.77	15.41	17.22
31072-1011	31100-0051 NOT TOOLED	5 WAY RIGHT ANGLE HEADER ASSEMBLY POLARIZATION "B"	GRAY	16.77	15.41	17.22
31072-1012	31100-0052 NOT TOOLED	5 WAY RIGHT ANGLE HEADER ASSEMBLY POLARIZATION "C"	BROWN	16.77	15.41	17.22
31073-1010	31100-0060 NOT TOOLED	6 WAY RIGHT ANGLE HEADER ASSEMBLY POLARIZATION "A"	BLACK	19.31	17.95	19.76
31073-1011	31100-0061 NOT TOOLED	6 WAY RIGHT ANGLE HEADER ASSEMBLY POLARIZATION "B"	GRAY	19.31	17.95	19.76
31073-1012	31100-0062 NOT TOOLED	6 WAY RIGHT ANGLE HEADER ASSEMBLY POLARIZATION "C"	BROWN	19.31	17.95	19.76

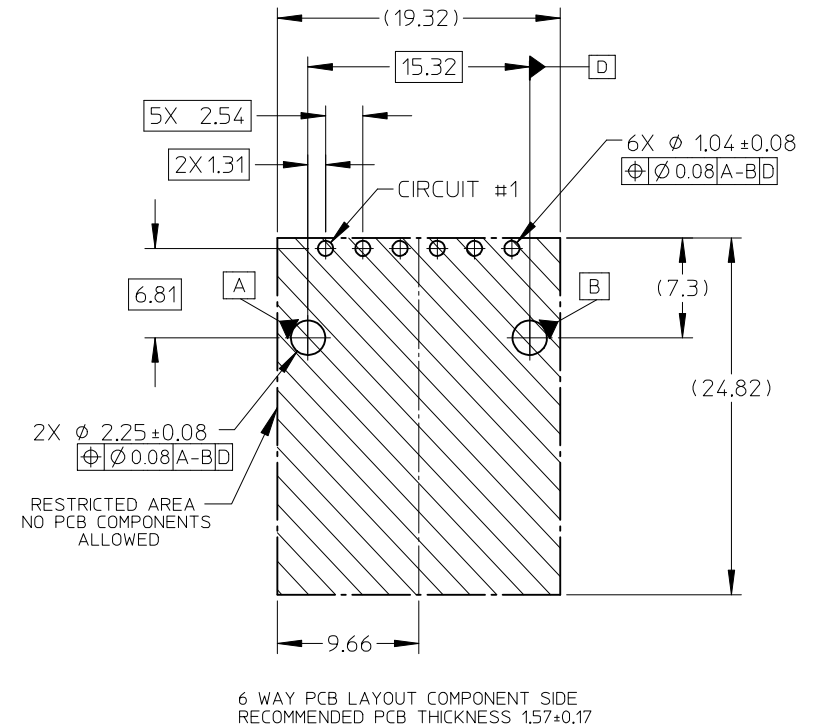
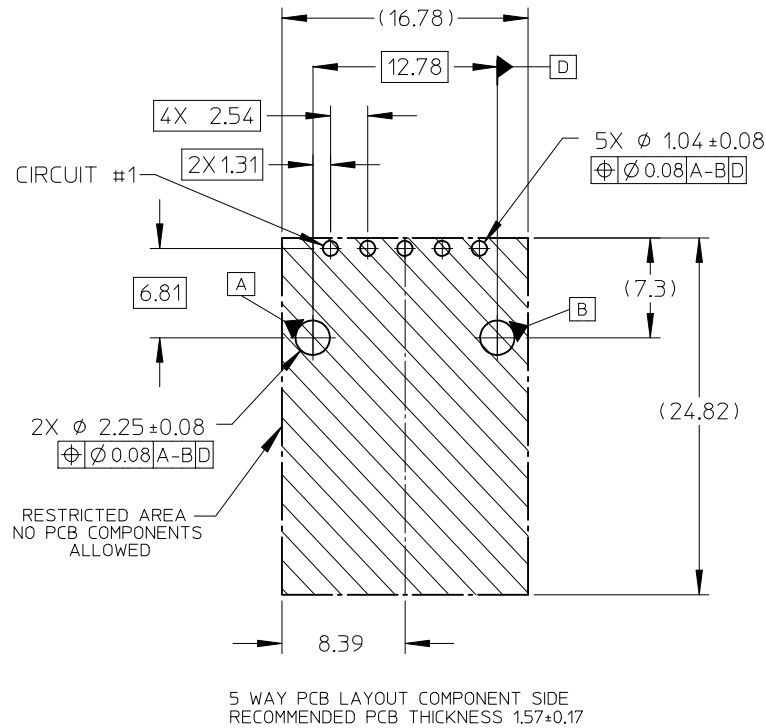
ENTER DESCRIPTION EC NO: UAU2017-0938 DRWN: JFISCHER01 2017/04/14 CHKD: APPR: RBAUMAN 2017/05/05 REV: F2	QUALITY SYMBOLS ▽=0 ▽=0	GENERAL TOLERANCES (UNLESS SPECIFIED) <table border="1"> <thead> <tr> <th></th> <th>mm</th> <th>INCH</th> </tr> </thead> <tbody> <tr> <td>4 PLACES</td> <td>± .---</td> <td>± .---</td> </tr> <tr> <td>3 PLACES</td> <td>± .---</td> <td>± .---</td> </tr> <tr> <td>2 PLACES</td> <td>± 0.13</td> <td>± .---</td> </tr> <tr> <td>1 PLACE</td> <td>± 0.25</td> <td>± .---</td> </tr> <tr> <td colspan="3">ANGULAR ± 1/2°</td> </tr> </tbody> </table>		mm	INCH	4 PLACES	± .---	± .---	3 PLACES	± .---	± .---	2 PLACES	± 0.13	± .---	1 PLACE	± 0.25	± .---	ANGULAR ± 1/2°			DIMENSION STYLE <b>MM ONLY</b>	SCALE 1:1	DESIGN UNITS METRIC	THIRD ANGLE PROJECTION
		mm	INCH																					
	4 PLACES	± .---	± .---																					
	3 PLACES	± .---	± .---																					
2 PLACES	± 0.13	± .---																						
1 PLACE	± 0.25	± .---																						
ANGULAR ± 1/2°																								
		DRAWN BY MDEVITO	DATE 01/12/06	TITLE RIGHT ANGLE HEADER ASSEMBLY CHARTED SALES DRAWING																				
		CHECKED BY BCOURIM	DATE 01/12/07	MOLEX INCORPORATED																				
		APPROVED BY GMEYER	DATE 01/12/07	MATERIAL NO. SEE CHART	DOCUMENT NO. SD-31197-003	SHEET NO. 6 OF 8																		

### RECOMMENDED PCB LAYOUT



<b>ENTER DESCRIPTION</b> EC NO: UAU2017-0938 DRWN: JFISCHER01 2017/04/14 CHKD: APPR: RBAUMAN 2017/05/05 REV: F2	QUALITY SYMBOLS ▽=0 ▽=0	GENERAL TOLERANCES (UNLESS SPECIFIED) mm INCH 4 PLACES ± --- ± --- 3 PLACES ± --- ± --- 2 PLACES ± 0.13 ± --- 1 PLACE ± 0.25 ± --- ANGULAR ± 1/2°	DIMENSION STYLE MM ONLY DRAWN BY DATE MDEVITO 01/12/06 CHECKED BY DATE BCOURIM 01/12/07 APPROVED BY DATE GMEYER 01/12/07 MATERIAL NO.	SCALE 1:1 DESIGN UNITS METRIC THIRD ANGLE PROJECTION	TITLE RIGHT ANGLE HEADER ASSEMBLY CHARTED SALES DRAWING MOLEX MOLEX INCORPORATED DOCUMENT NO. SD-31197-003 SHEET NO. 7 OF 8	
	DRAFT WHERE APPLICABLE MUST REMAIN WITHIN DIMENSIONS		SEE CHART	THIS DRAWING CONTAINS INFORMATION THAT IS PROPRIETARY TO MOLEX INCORPORATED AND SHOULD NOT BE USED WITHOUT WRITTEN PERMISSION		

# RECOMMENDED PCB LAYOUT



<b>ENTER DESCRIPTION</b> EC NO: UAU2017-0938 DRWN: JFISCHER01 2017/04/14 CHKD: APPR: RBALIMAN 2017/05/05 F2	QUALITY SYMBOLS ▽=0 ▽=0	GENERAL TOLERANCES (UNLESS SPECIFIED) mm INCH 4 PLACES ± --- ± --- 3 PLACES ± --- ± --- 2 PLACES ± 0.13 ± --- 1 PLACE ± 0.25 ± --- ANGULAR ± 1/2°	DIMENSION STYLE <b>MM ONLY</b> DRAWN BY DATE MDEVITO 01/12/06 CHECKED BY DATE BCOURIM 01/12/07 APPROVED BY DATE GMEYER 01/12/07 MATERIAL NO.	SCALE DESIGN UNITS <b>METRIC</b> THIRD ANGLE PROJECTION	TITLE <b>RIGHT ANGLE HEADER ASSEMBLY CHARTED SALES DRAWING</b> MOLEX INCORPORATED DOCUMENT NO. <b>SD-31197-003</b> SHEET NO. <b>8 OF 8</b>
	DRAFT WHERE APPLICABLE MUST REMAIN WITHIN DIMENSIONS		SEE CHART	THIS DRAWING CONTAINS INFORMATION THAT IS PROPRIETARY TO MOLEX INCORPORATED AND SHOULD NOT BE USED WITHOUT WRITTEN PERMISSION	