

4

3

2

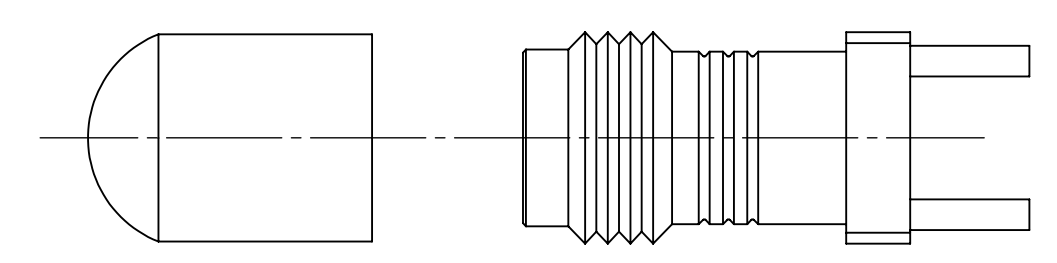
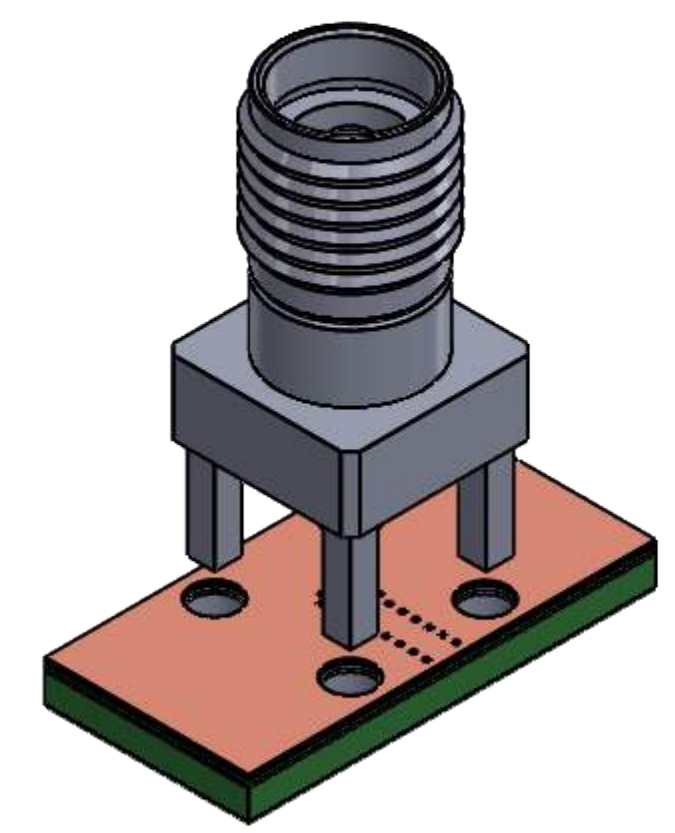
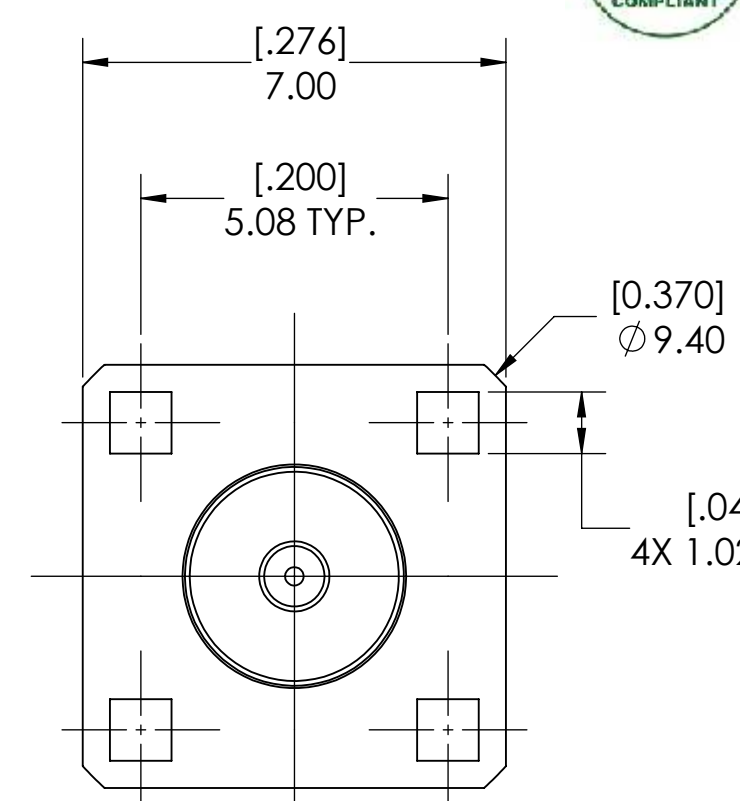
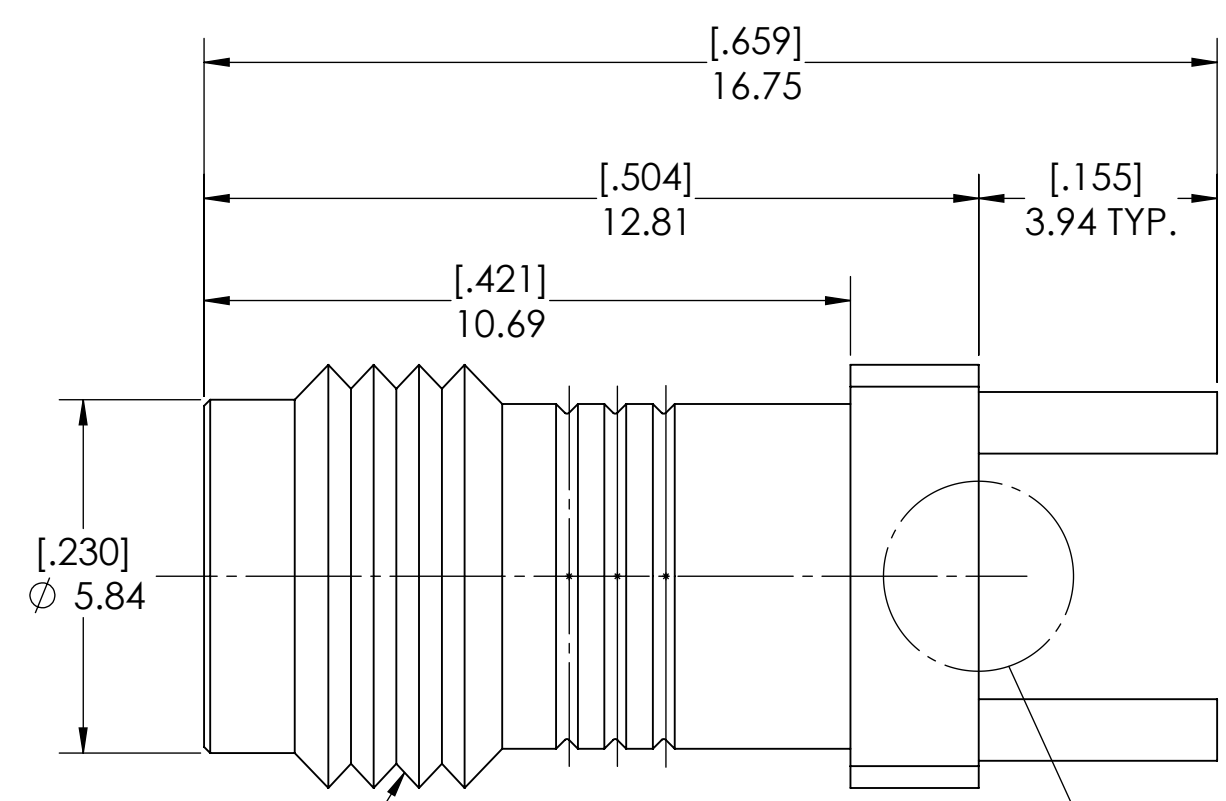
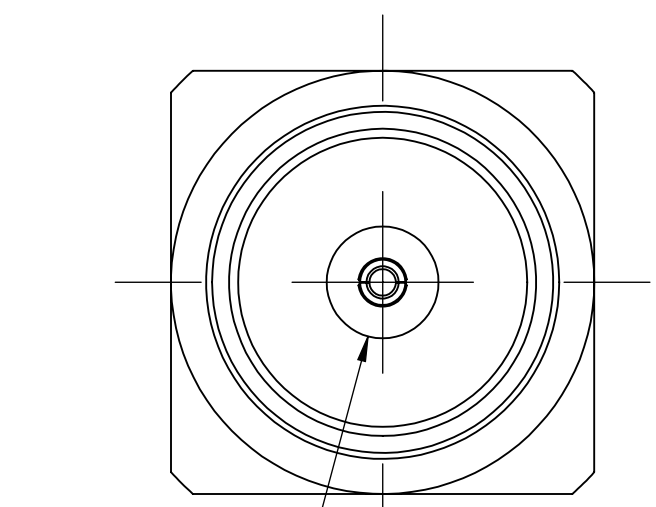
1



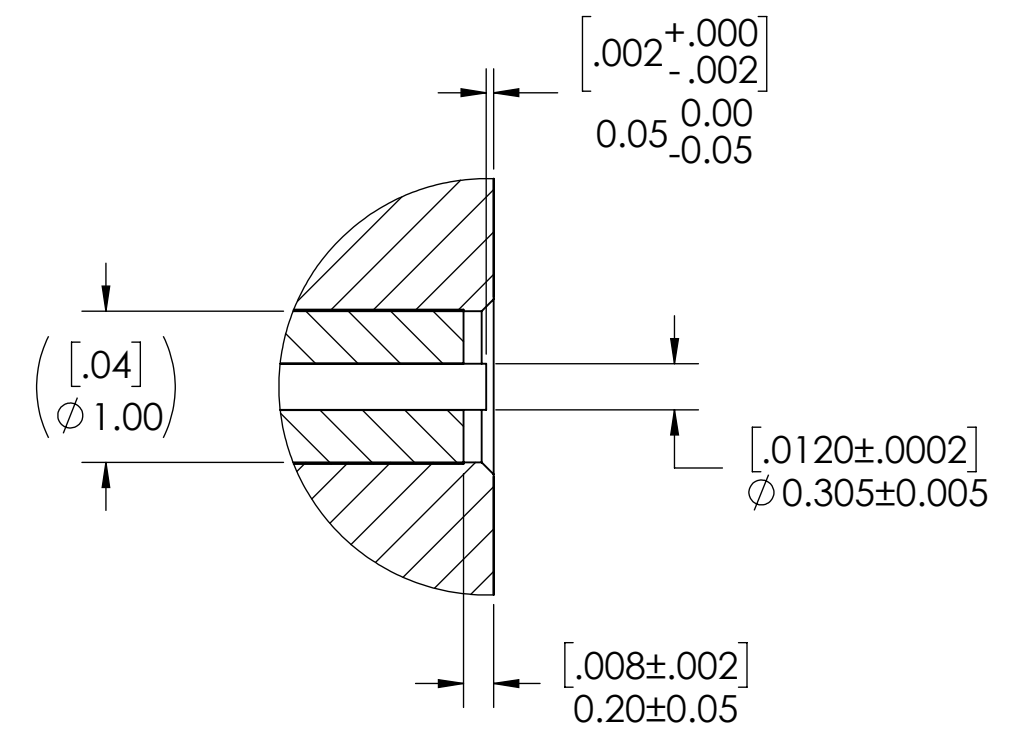
REVISIONS			
REV.	DESCRIPTION	DATE	APPROVED
-	INITIAL RELEASE	07/03/2018	MM
1	UPDATED PART NO AND COLOR	2/20/2019	DL
2	ADDED SHEET 2 PCB DEFINITION	2/20/2019	PV
3	CORRECTED PCB POST HOLE DIA	4/29/2019	PV
4	UPD PCB (COMMON SL AND CPW)	5/13/2019	PV
5	CHANGED PN, WAS: TMB-V8FS-2SM	1/9/2020	PV

D

D



PROTECTION CAP



DETAIL A
SCALE 20:1

- NOTE(S):
- These characteristics are typical and for reference.
 - DYH: 59-20009-12040
 - See sheet 2 for PCB interface definition.

B

B

MATERIAL(S):	ELECTRICAL(S):	MECHANICAL(S):	ENVIRONMENTAL(S):
Body: Brass Center Conductor: Beryllium Copper Insulator: Insulator 1: PCTFE, white Insulator 2: PTFE, white RoHS Compliant Protective Cap: Soft PVC Color: Green	Impedance: 50 Ohms Nominal Frequency Range: DC to 65 GHz VSWR: 1.3:1 max at 65 GHz Working Voltage: 400 Vrms max @ Sea Level Dielectric Withstand Voltage: 500 Vrms max. Insulation Resistance: 5000 Megaohms min. Contact Resistance: Initial: Center Contact: 1.5 Milliohms max Outer Contact: 0.8 Milliohms max	Mating Characteristics: Interface per MIL-STD-348 Force to Engage & Disengage: Torque: 2 inch-pounds max Longitudinal Force: NA Connector Durability: 500 Cycles min. Permeability: Less than 2.0 mu. Center Contact Retention: Axial Force: 6 pounds min. Radial Force: NA	Temperature Range: -65°C to +165°C Moisture Resistance: MIL-STD-202, Method 103, Test Condition B Corrosion: MIL-STD-202, Method 101, Test Condition B Vibration: MIL-STD-202, Method 204, Test Condition A Shock: MIL-STD-202, Method 213, Test Condition 1

A

A

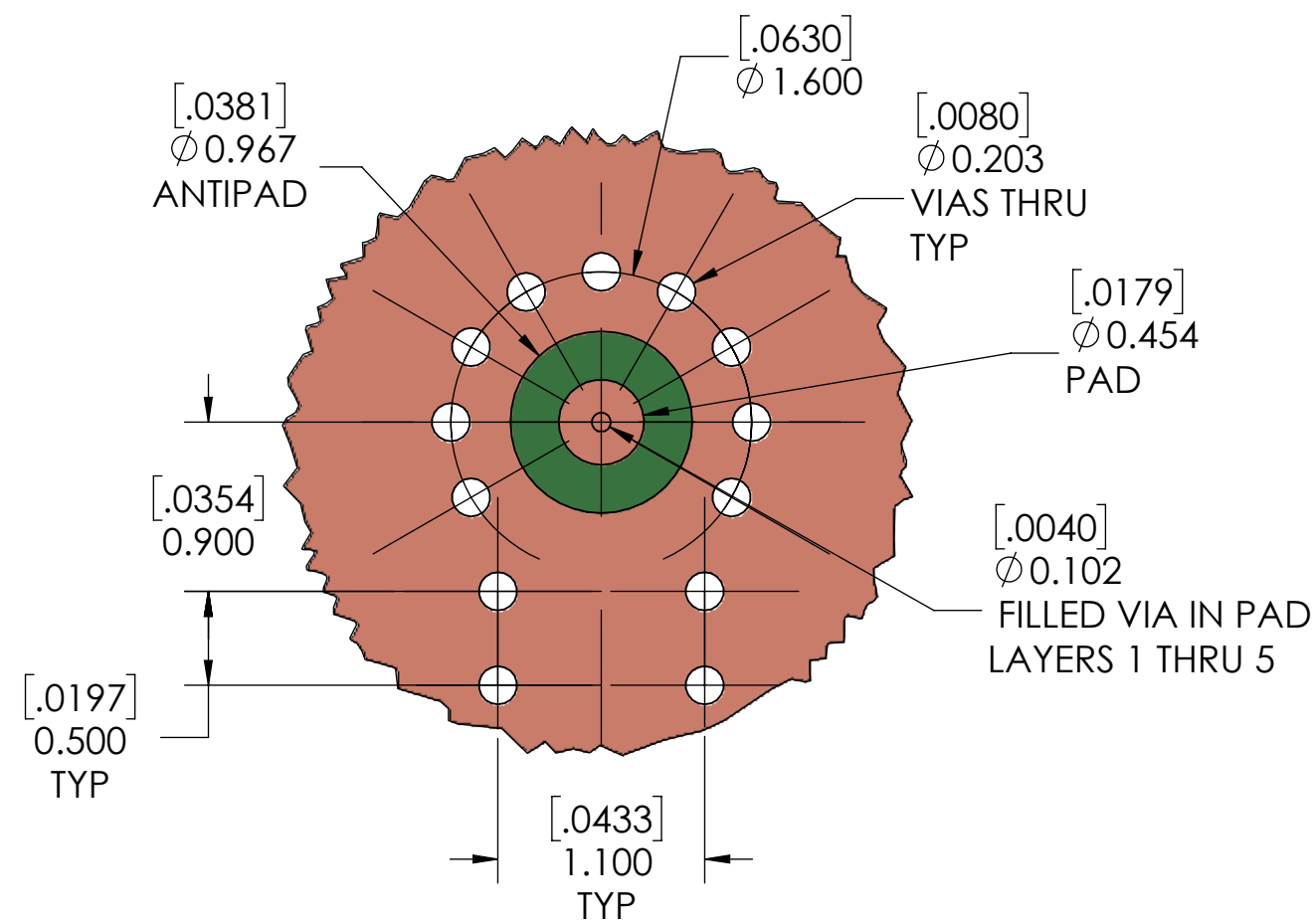
FINISH(ES):	APPLICABLE CARLISLE IT DOCUMENTS			TOLERANCES AND NOTES EXCEPT AS NOTED	APPROVAL	INITIALS	DATE	 Dongguan City, Guangdong P.R. China 523533 TITLE 1.85mm STRAIGHT JACK, VERTICAL SOLDER (SIGNAL PAD)		
	WORK STANDARD	PROD INSTRUC	ASSY INSTRUC		DRAWN BY				SCALE	SUB-DIRECTORY/ _OUTLINE/
Body: Gold Plating Center Conductor: Gold Plating	NA	NA	NA	THIRD ANGLE PROJECTION SCALE 8:1 DIMENSIONS ARE IN [INCHES] MM ANGLES ±2° .XX DECIMALS ±.063 .XXX DECIMALS ±.01	DRAWN BY	MM	07.03.18	8:1		
					CHECKED BY	KM	07.03.18	SIZE	DRAWING NO.	REV.
					DESIGN ENG			C	5	5
					APPR BY				TMB-V8FS-3SM	

4

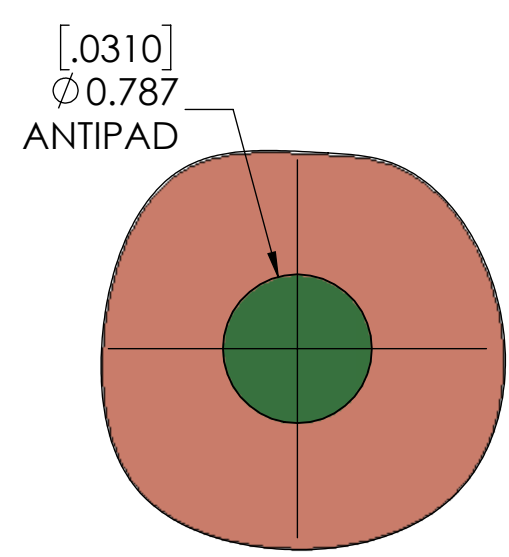
3

2

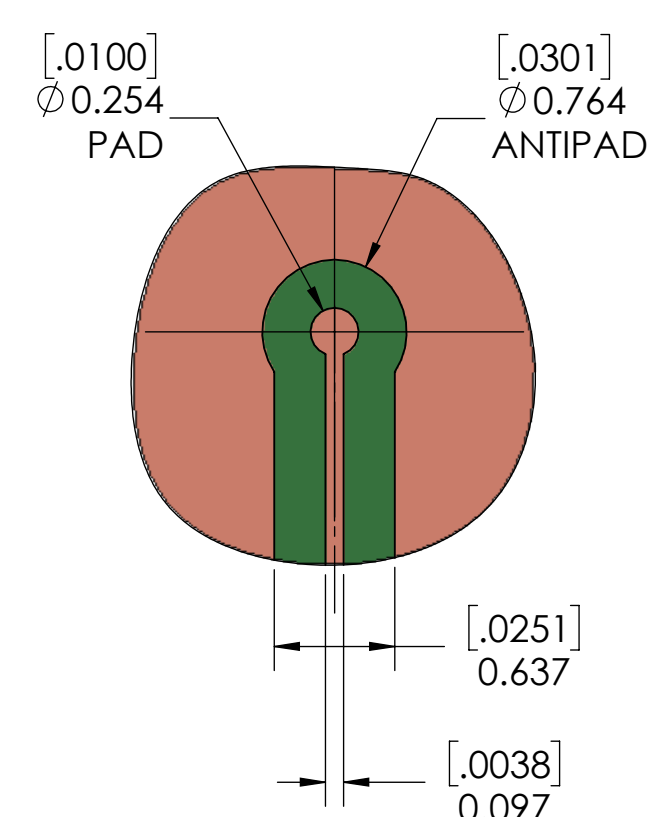
1



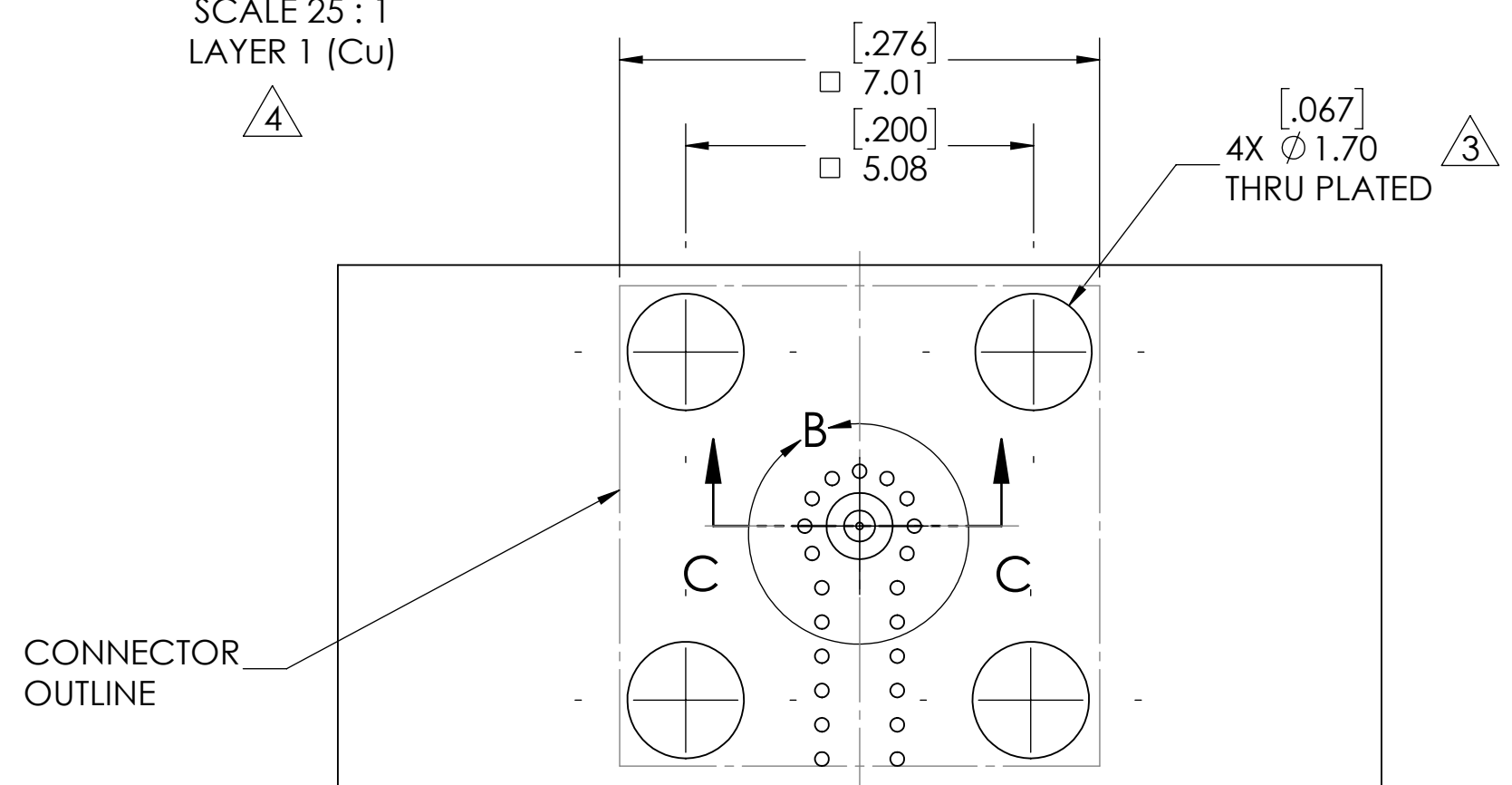
DETAIL B
SCALE 25 : 1
LAYER 1 (Cu)



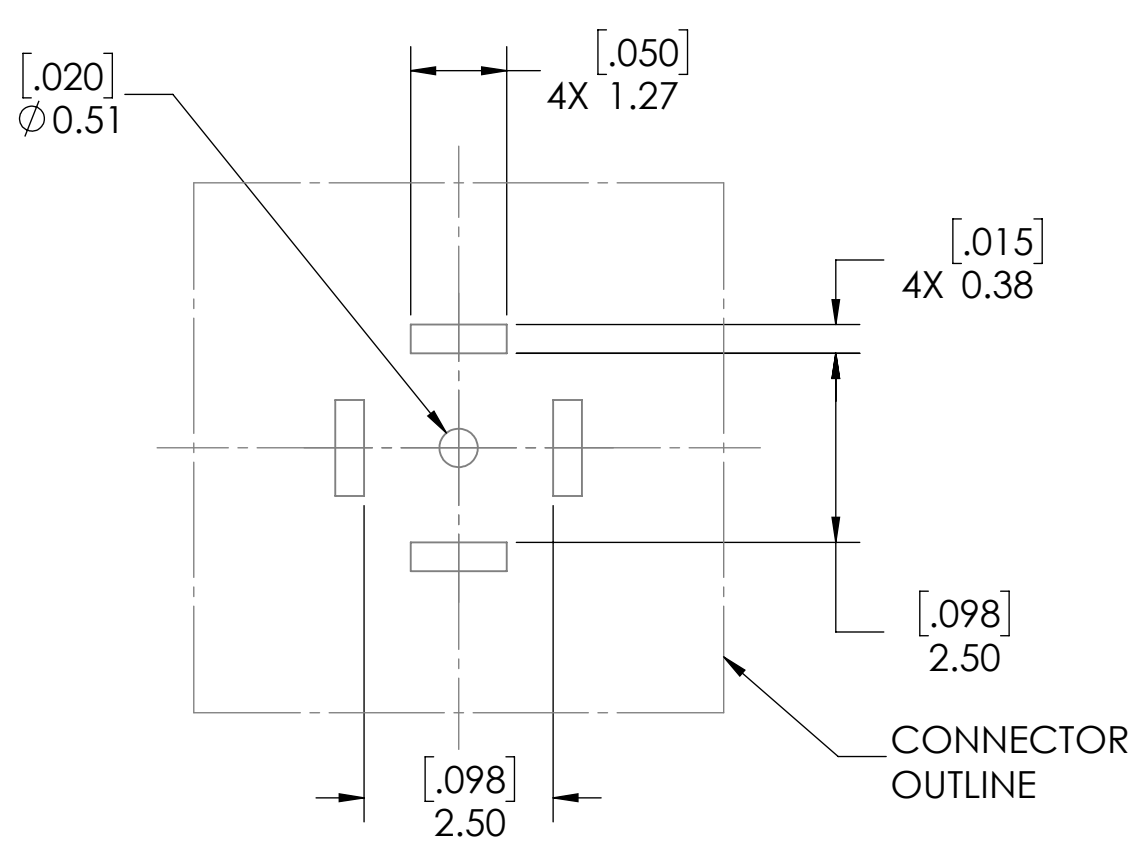
DETAIL B
SCALE 25:1
LAYER 3 (Cu)
VIAS NOT SHOWN FOR CLARITY



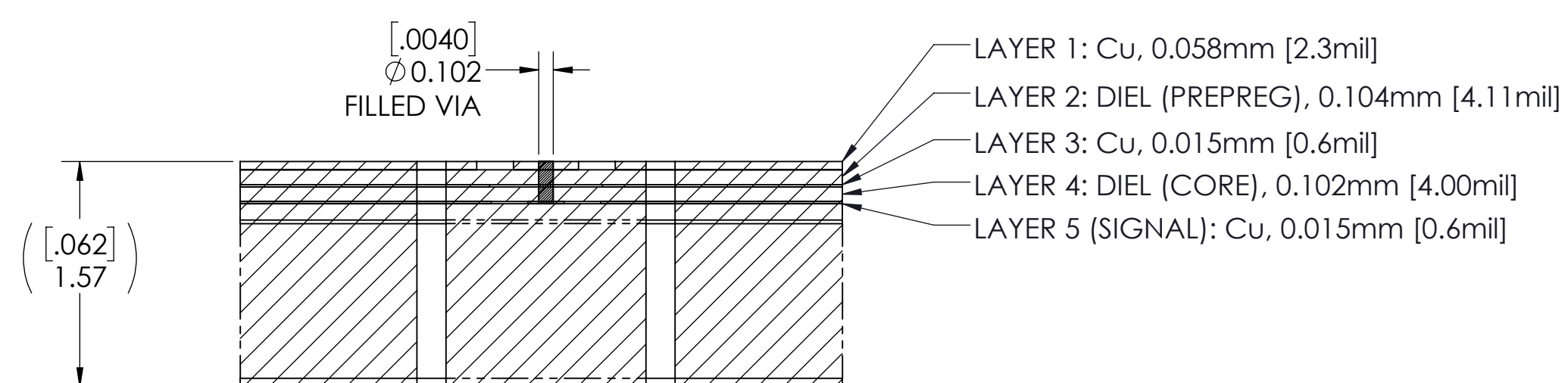
DETAIL B
SCALE 25:1
LAYER 5 (Cu)
VIAS NOT SHOWN FOR CLARITY



PCB LAYOUT
(FOR REFERENCE ONLY)



SOLDER PASTE STENCIL
SCALE 10:1



SECTION C-C
SCALE 25 : 1
PCB LAYER DEFINITION

SCALE	SUB-DIRECTORY/	SHEET 2 OF 2
10:1		
SIZE	CAGE CODE	DRAWING NO.
C		TMB-V8FS-3SM
		REV. 5