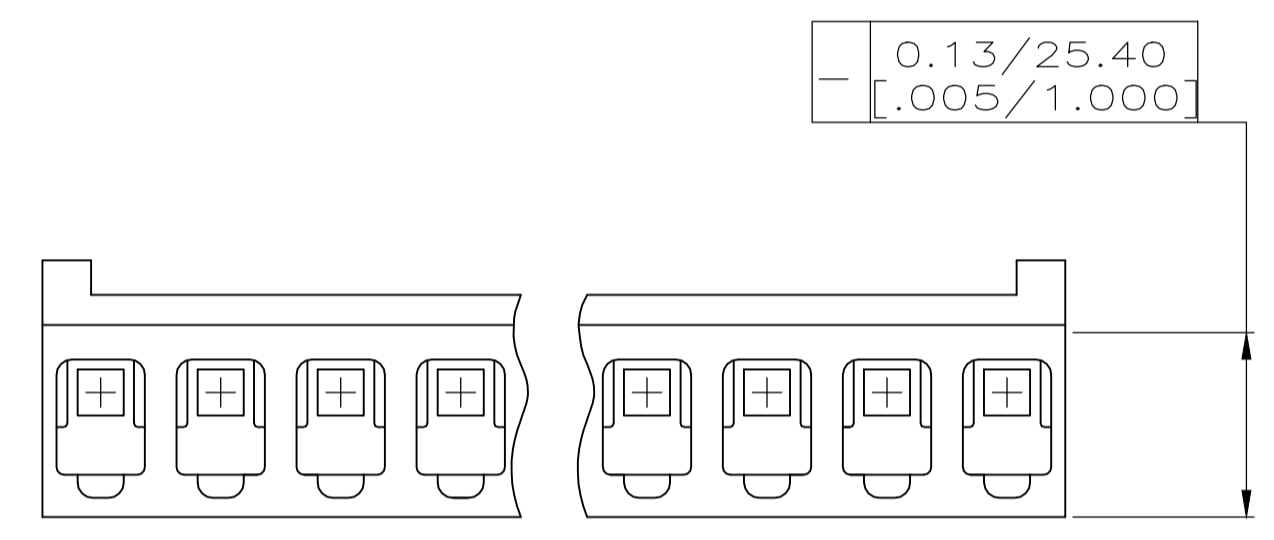
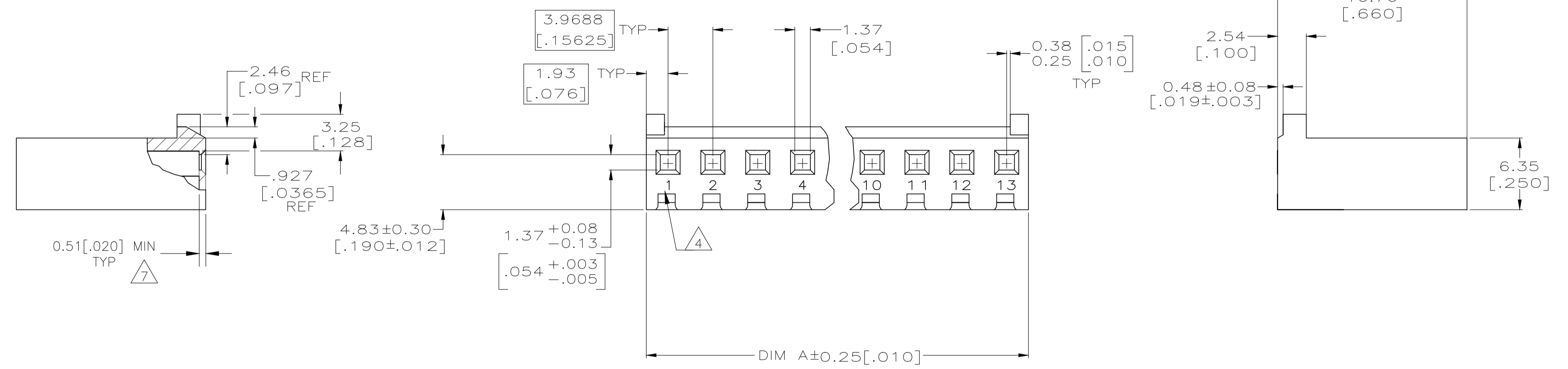
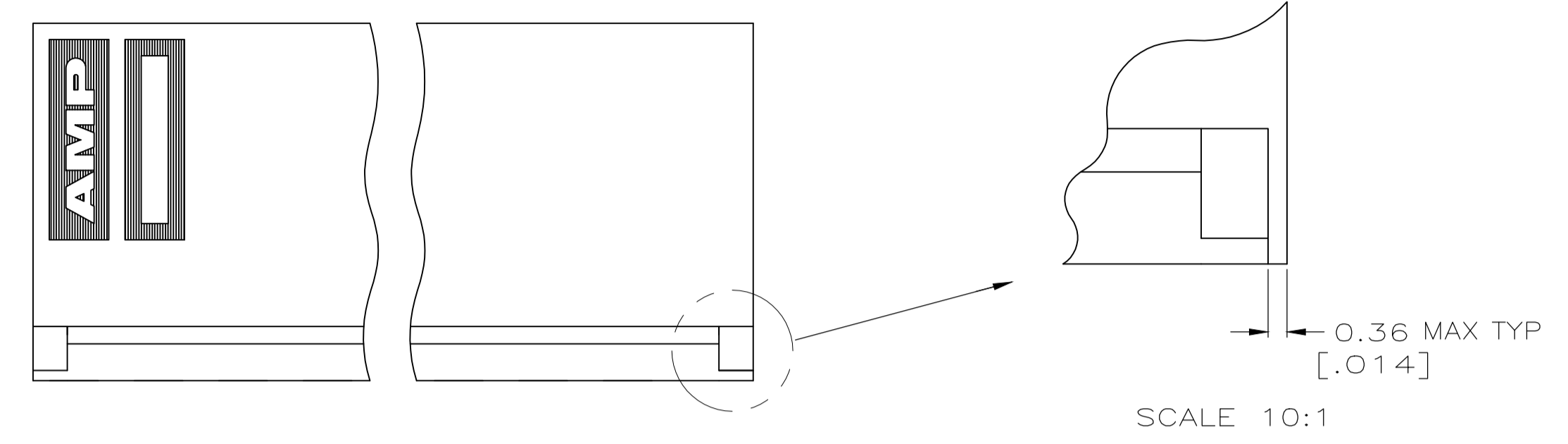


REVISIONS				
P	LTR	DESCRIPTION	DATE	BY
P5		REVISED PER ECR-19-019129	03JAN2019	BDA SW

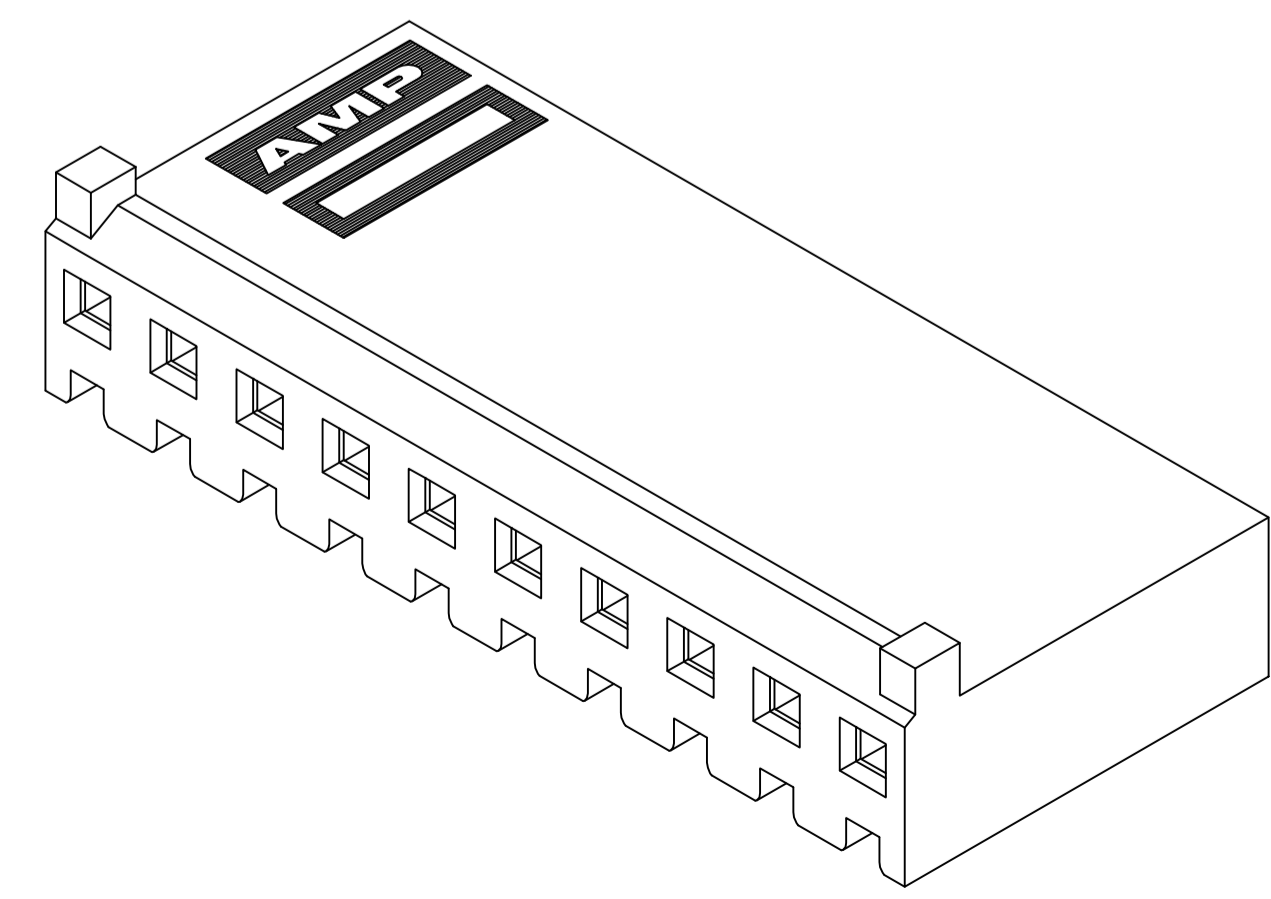
- 1 UNIT ACCEPTS 1.14[.045] SQUARE OR ROUND POST.
- 2 UNIT ACCEPTS STANDARD SL-156 CONTACTS.
- 3 UNIT ACCEPTS KEYING PLUG 640254-1 AND KEYING PIN 640255-1.
- 4 IDENTIFICATION NUMBER FOR ALL POSITIONS, OR FOR POSITION 1 ONLY, WILL BE LOCATED AS SHOWN.
- 5 DIMENSIONS IN BRACKETS ARE IN INCHES.
- 6 NO CSA/UR LOGO
- 7 MEETS UL61800-5-1

Flam	RTIe deg C	HWI	HWI	CTI
V0	120C	PLC4	PLC0	PLC0_UL746



6	COLOR	DIM A	NO OF POSN	PART NUMBER
	YELLOW	7.82 [0.308]	2	8-770849-2
	BROWN	7.82 [0.308]	2	7-770849-2
	BLUE	7.82 [0.308]	2	6-770849-2
	RED	7.82 [0.308]	2	5-770849-2
	GRAY	7.82 [0.308]	2	4-770849-2
	BLACK	7.82 [0.308]	2	3-770849-2
	NATURAL	95.15[3.746]	24	2-770849-4
	NATURAL	91.19[3.590]	23	2-770849-3
	NATURAL	87.20[3.433]	22	2-770849-2
	NATURAL	83.24[3.277]	21	2-770849-1
	NATURAL	79.27[3.121]	20	2-770849-0
	NATURAL	75.31[2.965]	19	1-770849-9
	NATURAL	71.30[2.807]	18	1-770849-8
	NATURAL	67.34[2.651]	17	1-770849-7
	NATURAL	63.40[2.496]	16	1-770849-6
	NATURAL	59.44[2.340]	15	1-770849-5
	NATURAL	55.45[2.183]	14	1-770849-4
	NATURAL	51.49[2.027]	13	1-770849-3
	NATURAL	47.52[1.871]	12	1-770849-2
	NATURAL	43.56[1.715]	11	1-770849-1
	NATURAL	39.57[1.558]	10	1-770849-0
	NATURAL	35.61[1.402]	9	770849-9
	NATURAL	31.65[1.246]	8	770849-8
	NATURAL	27.69[1.090]	7	770849-7
	NATURAL	23.70[0.933]	6	770849-6
	NATURAL	19.74[0.777]	5	770849-5
	NATURAL	15.77[0.621]	4	770849-4
	NATURAL	11.81[0.465]	3	770849-3
	NATURAL	7.82[0.308]	2	770849-2

1-770849-3 SHOWN



THIS DRAWING IS A CONTROLLED DOCUMENT.

DIMENSIONS: INCHES

TOLERANCES UNLESS OTHERWISE SPECIFIED:

0 PLC	±	-
1 PLC	±	-
2 PLC	±	-
3 PLC	±	0.13 [0.005]
4 PLC	±	-

ANGLES: ± -

MATERIAL: NYLON,UL 94V-0 NATURAL

FINISH: -

REVISED PER ECR-19-019129

DATE: 03JAN2019

BY: BDA SW

NAME: D. WORTHINGTON

PRODUCT SPEC: -

APPLICATION SPEC: -

WEIGHT: -

SCALE: 4:1

SHEET 1 OF 1

REV P5

STE TE Connectivity

HOUSING WITH LOCKING RAMP AND POLARIZING TABS, SL-156

00779C=770849