

PART NUMBER	POSITION 1	POSITION 2	POSITION 3
564-0240-102F	RED	** BLANK **	GREEN
564-0240-111F	RED	RED	RED
564-0240-132F	RED	YELLOW	GREEN
564-0240-210F	GREEN	RED	** BLANK **
564-0240-211F	GREEN	RED	RED
564-0240-213F	GREEN	RED	YELLOW
564-0240-220F	GREEN	GREEN	** BLANK **
564-0240-222F	GREEN	GREEN	GREEN
564-0240-230F	GREEN	YELLOW	** BLANK **
564-0240-233F	GREEN	YELLOW	YELLOW
564-0240-303F	YELLOW	** BLANK **	YELLOW
564-0240-310F	YELLOW	RED	** BLANK **
564-0240-322F	YELLOW	GREEN	GREEN
564-0240-330F	YELLOW	YELLOW	** BLANK **
564-0240-332F	YELLOW	YELLOW	GREEN

OPERATING CHARACTERISTICS AT 25°C AMBIENT						
CHARACTERISTICS	COLOR	MIN	TYP	MAX	UNITS	TEST CONDITIONS
LUMINOUS INTENSITY	RED	1.0	1.6		mcd	I _f = 2 mA
	GREEN	1.0	1.6			
	YELLOW	1.0	1.6			
FORWARD VOLTAGE	RED		1.7	2.2	V	I _f = 2 mA
	GREEN		1.9	2.2		
	YELLOW		1.8	2.7		
REVERSE CURRENT	R-G-Y			10	μA	V _R = 5 V
PEAK WAVELENGTH	RED		635		nm	
	GREEN		565			
	YELLOW		585			
VIEWING ANGLE	R-G-Y		60		Degree	

REV	ECN NO	REVISIONS	DRN	CKD	APP	DATE
A	—	NEW RELEASE	TWC	NO	TC	
B	—	ADDED P/N's 564-0240-211F, -213F, -322F	AJF	KLJ	NO	7-21-09

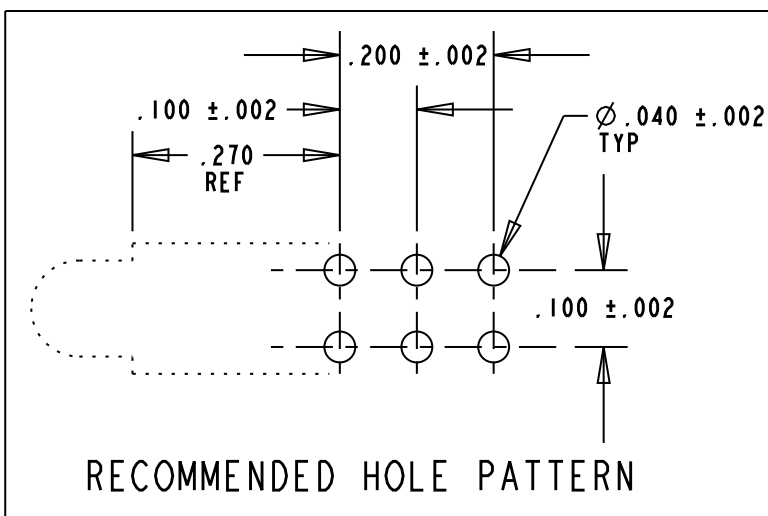
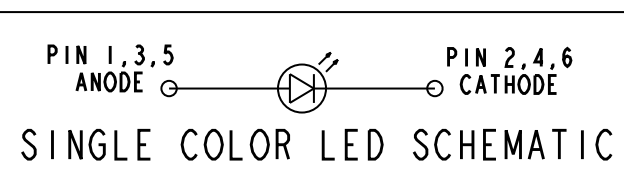
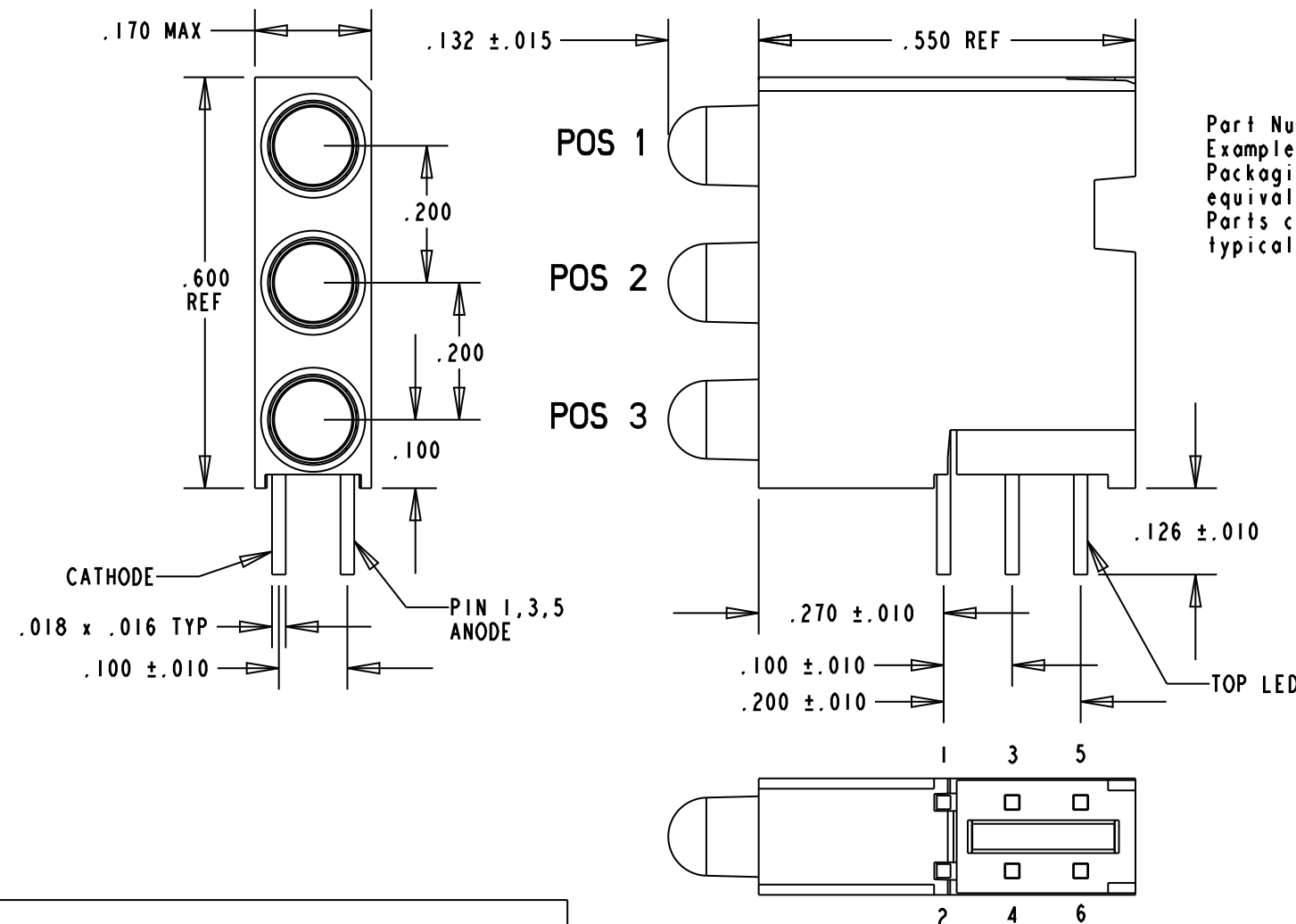
NOTES:

- LEADS TO FIT INTO HOLES SPACED AS PER HOLE PATTERN
- LEADS TO BE FREE OF DEFORMATION AFTER BENDING AND CUTTING
- LED LEAD DIMENSIONS SHOWN ARE MEASURED AT HOUSING EXIT
- PACKAGING = BLOCKS TO BE PLACED IN CLEAR ANTISTATIC BAGS
- DIALIGHT PART NUMBER = 564-0240-XXXX
- THIS ASSEMBLY CONTAINS ELECTROSTATIC DISCHARGE SENSITIVE DEVICES (ESDS). MAINTAIN ALL PRECAUTIONARY MEASURES DURING ASSEMBLY, HANDLING AND STORAGE IN ACCORDANCE WITH IPC-A-610.



ATTENTION:
OBSERVE PRECAUTIONS FOR
HANDLING ELECTROSTATIC
SENSITIVE DEVICES

RoHS Compliant 564-0240-XXXX
Part Numbers with the "F" suffix ending are RoHS Compliant.
Example: 564-0240-102F
Packaging is marked with "RoHS Compliant" label or equivalent markings.
Parts can be wave soldered, dip soldered or hand soldered using typical lead-free soldering process with max 260°C temp. for 5 sec.



THIS DRAWING AND THE CONTENTS HEREIN ARE CONFIDENTIAL AND THE SOLE PROPERTY OF DIALIGHT. REPRODUCTION OF THIS DRAWING OR CONSTRUCTION OF ANY PARTS WITHIN THIS DRAWING ARE FORBIDDEN WITHOUT THE WRITTEN CONSENT OF DIALIGHT.		
SCALE: 4.000	DRAWING NUMBER	REV
ALL DIM'S IN: INCHES (MM)	C-17365	B
TOLERANCES: UNLESS OTHERWISE SPECIFIED	TITLE 3mm CBI BLOCK - LOW CURRENT RoHS COMPLIANT	
FRACTIONS: ±1/64	MATERIAL	
DECIMALS (.XX): ±.01	Dialight 1501 ROUTE 34 SOUTH FARMINGDALE, NJ 07727	
DECIMALS (.XXX): ±.005	FINISH:	
DECIMALS (.XXXX): ±.0005	FSCM 83330	
ANGLES: ±1°	SHEET 1 OF 1 FAMILY TABLE:	