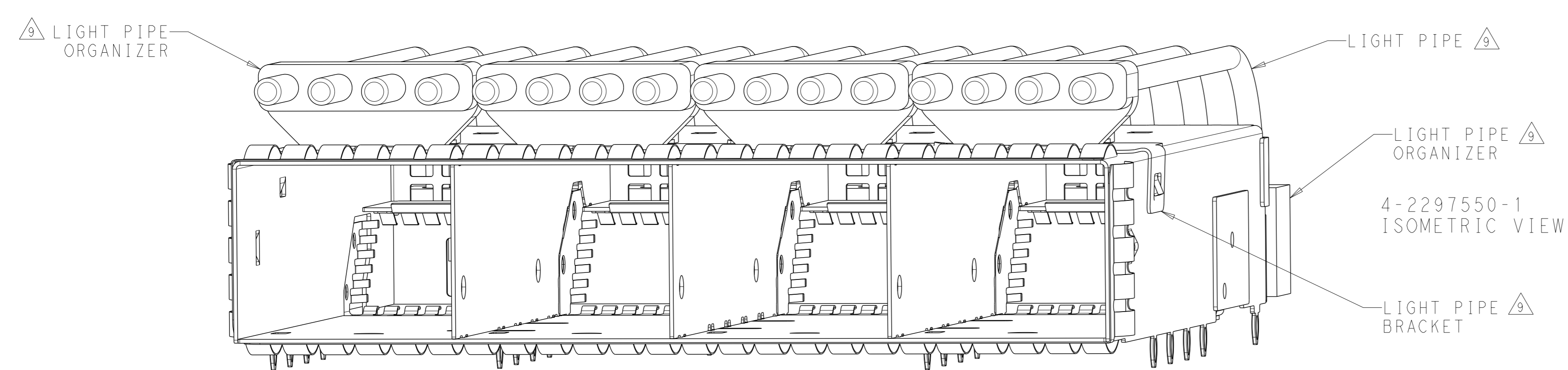
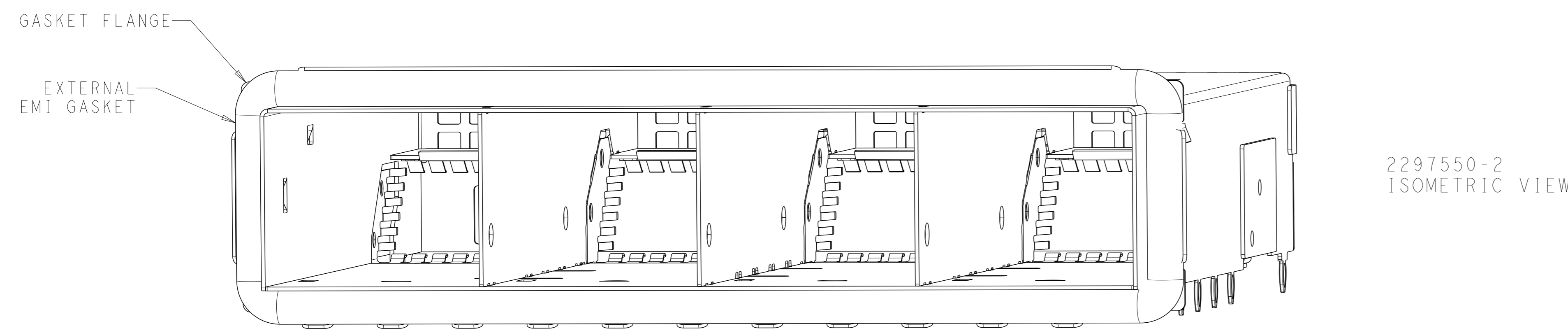
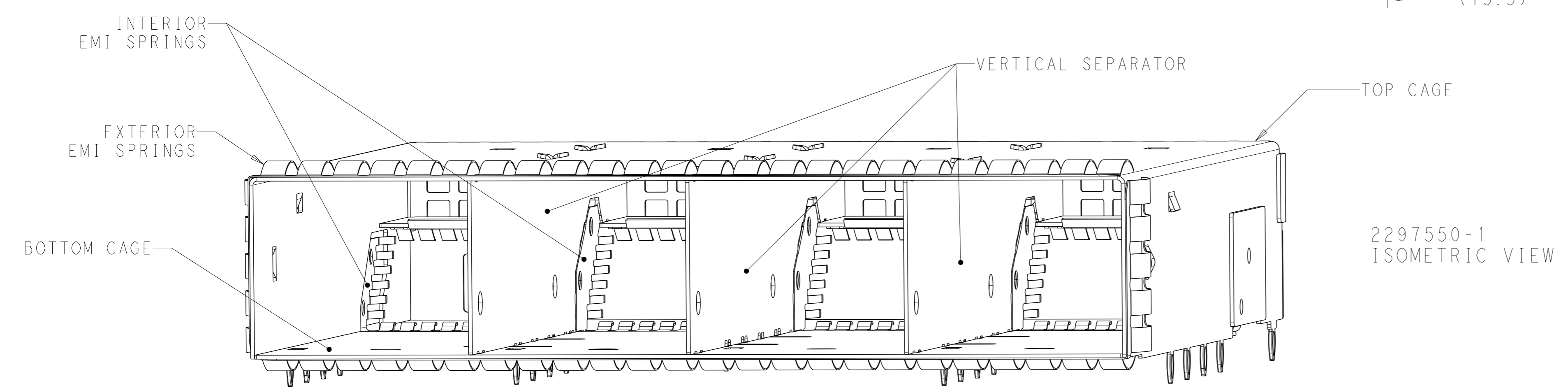
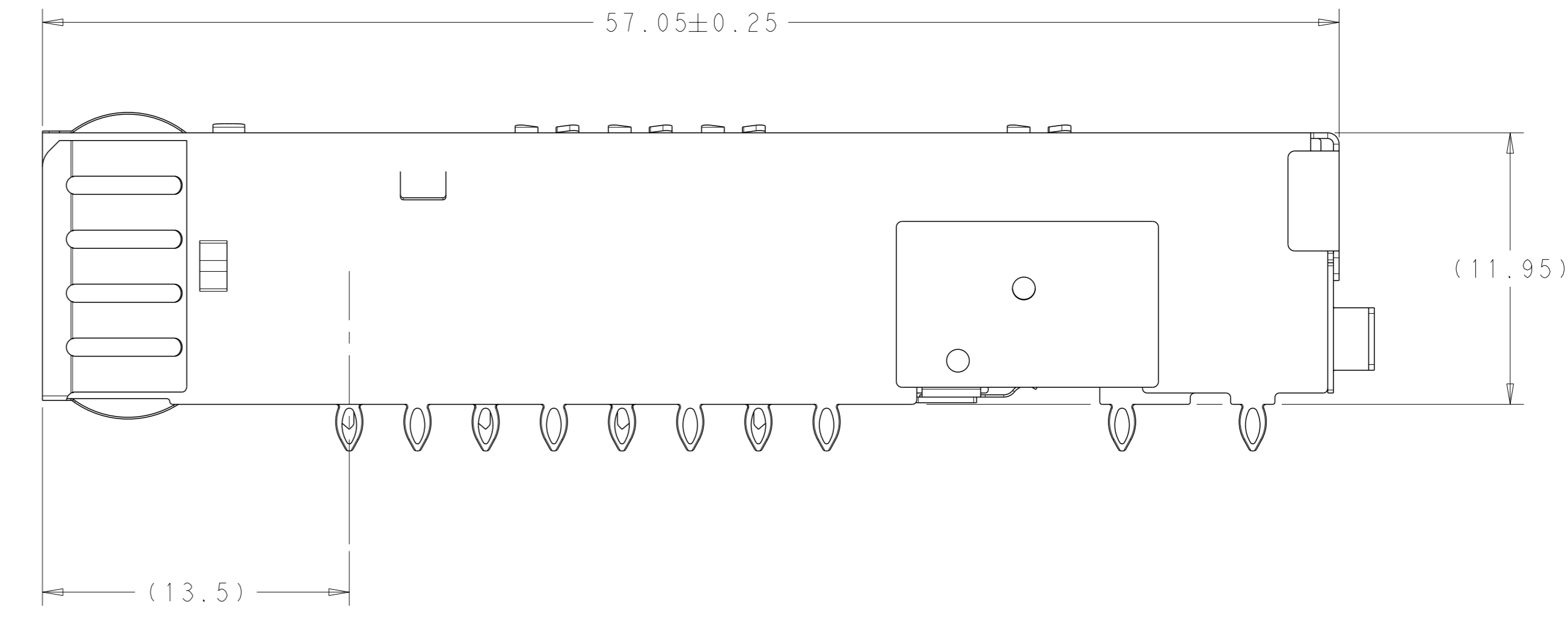
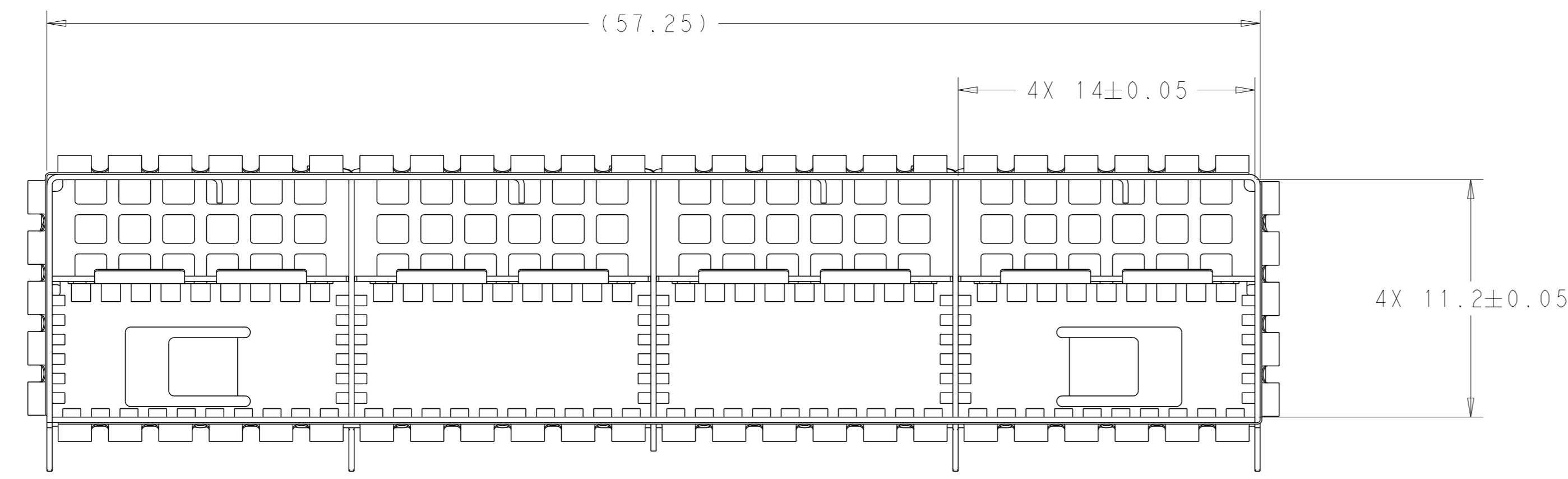


REVISIONS				
#	DATE	DESCRIPTION	DATE	OWN / APVD
A		REVISED PER ECO-17-013049	05OCT2017	A.P. E.B.



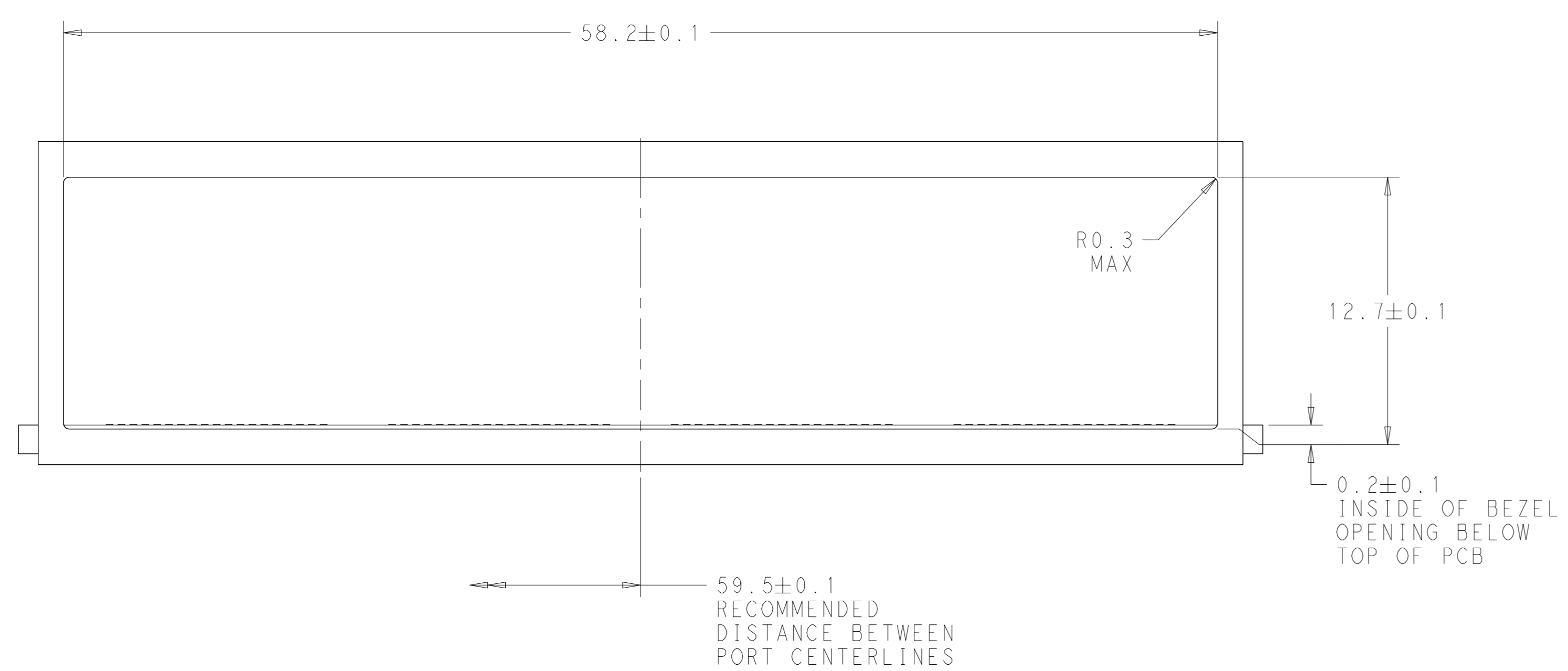
1. MATERIALS:
 TOP AND BOTTOM CAGE - STAINLESS STEEL
 VERTICAL SEPARATORS - STAINLESS STEEL
 GASKET FLANGE - STAINLESS STEEL
 EMI SPRINGS - COPPER ALLOY
 EXTERNAL EMI GASKET - NICKEL CARBON
 LIGHT PIPES - CLEAR POLYCARBONATE
 LIGHT PIPE ORGANIZERS - POLYCARBONATE
 LIGHT PIPE BRACKET - STAINLESS STEEL
2. FOR HOLE SIZE AND PLATINGS SEE APPLICATION SPEC 114-32151.
3. NOTE REMOVED.
4. LED PLACEMENT AREA FOR 4 LIGHT PIPE DASH NUMBERS.
5. LED PLACEMENT AREA FOR 2 LIGHT PIPE DASH NUMBERS.
6. LED PLACEMENT AREA FOR 1 LIGHT PIPE DASH NUMBERS.
7. COMPONENT KEEPOUT AND SURFACE TRACE KEEPOUT (EXCEPT CHASSIS GROUND).
8. COMPONENT KEEPOUT.
9. LIGHT PIPE ASSEMBLY SHOWN ASSEMBLED TO CAGE ASSEMBLY FOR REFERENCE. LIGHT PIPE ASSEMBLY IS SHIPPED UNASSEMBLED TO CAGE ASSEMBLY.

4	GASKET	4-2297550-2
4	SPRING	4-2297550-1
2	GASKET	2-2297550-2
2	SPRING	2-2297550-1
1	GASKET	1-2297550-2
1	SPRING	1-2297550-1
0	GASKET	2297550-2
0	SPRING	2297550-1
LIGHT PIPES PER PORT		PART NUMBER
EXTERNAL EMI SHIELDING		

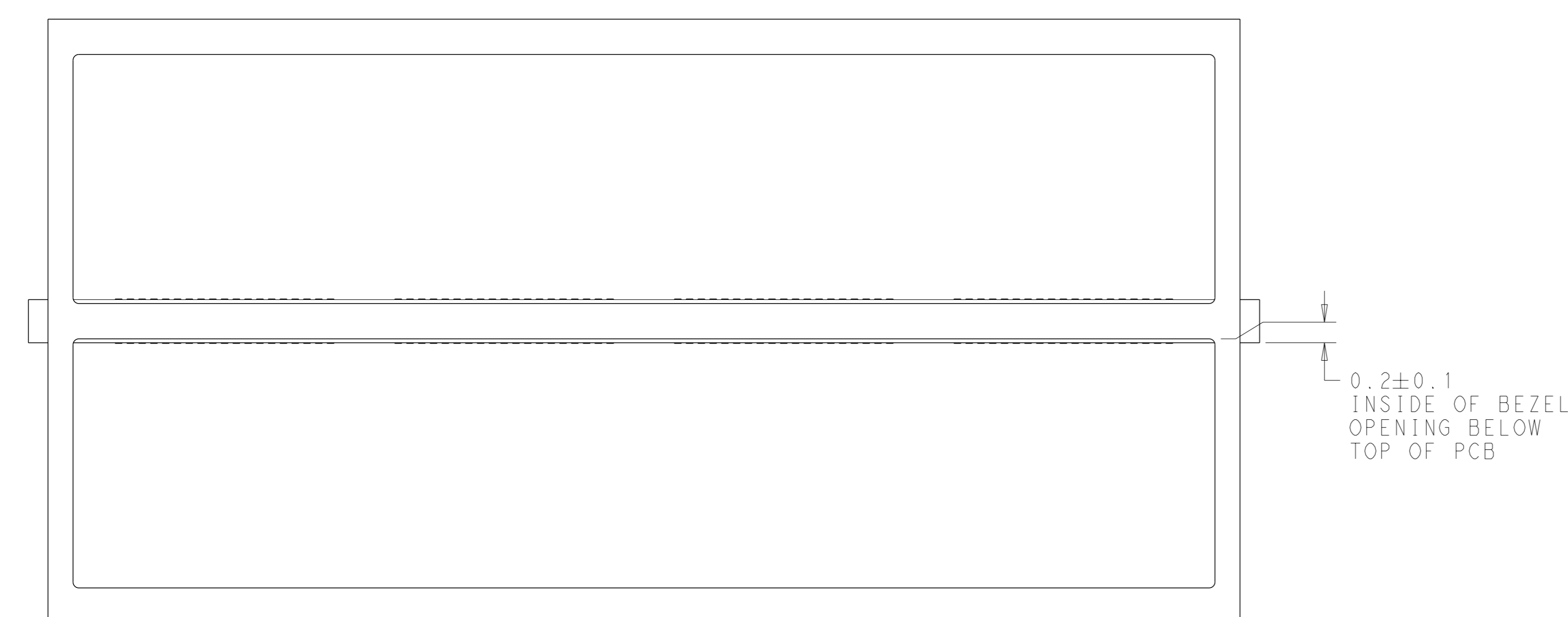
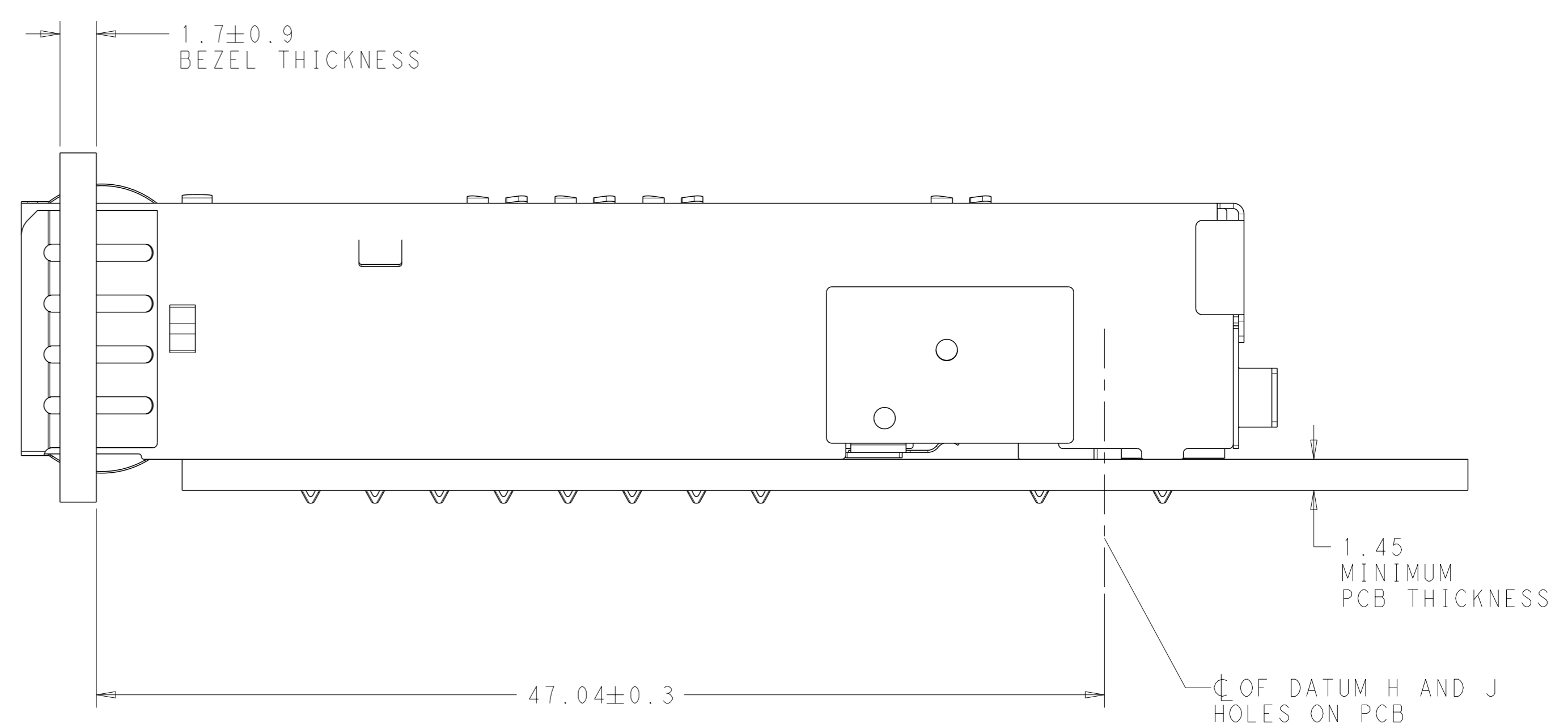
THIS DRAWING IS A CONTROLLED DOCUMENT.

DIMENSIONS:	TOLERANCES UNLESS OTHERWISE SPECIFIED:	OWN: C. VALENTINE 12JAN2016	CHK: E. BRIANT 12JAN2016	APVD: E. BRIANT 12JAN2016	NAME: CAGE ASSEMBLY, 1X4, microQSFP
mm	0 PLC ± 1 PLC ± 2 PLC ± 3 PLC ± 4 PLC ± ANGLES ±1*	TE Connectivity			SIZE: A1
MATERIAL:	FINISH:	108-32129 APPLICATION SPEC	114-32151	WEIGHT:	SCALE: 5:1
CUSTOMER DRAWING		SHEET 1 OF 6			REV A

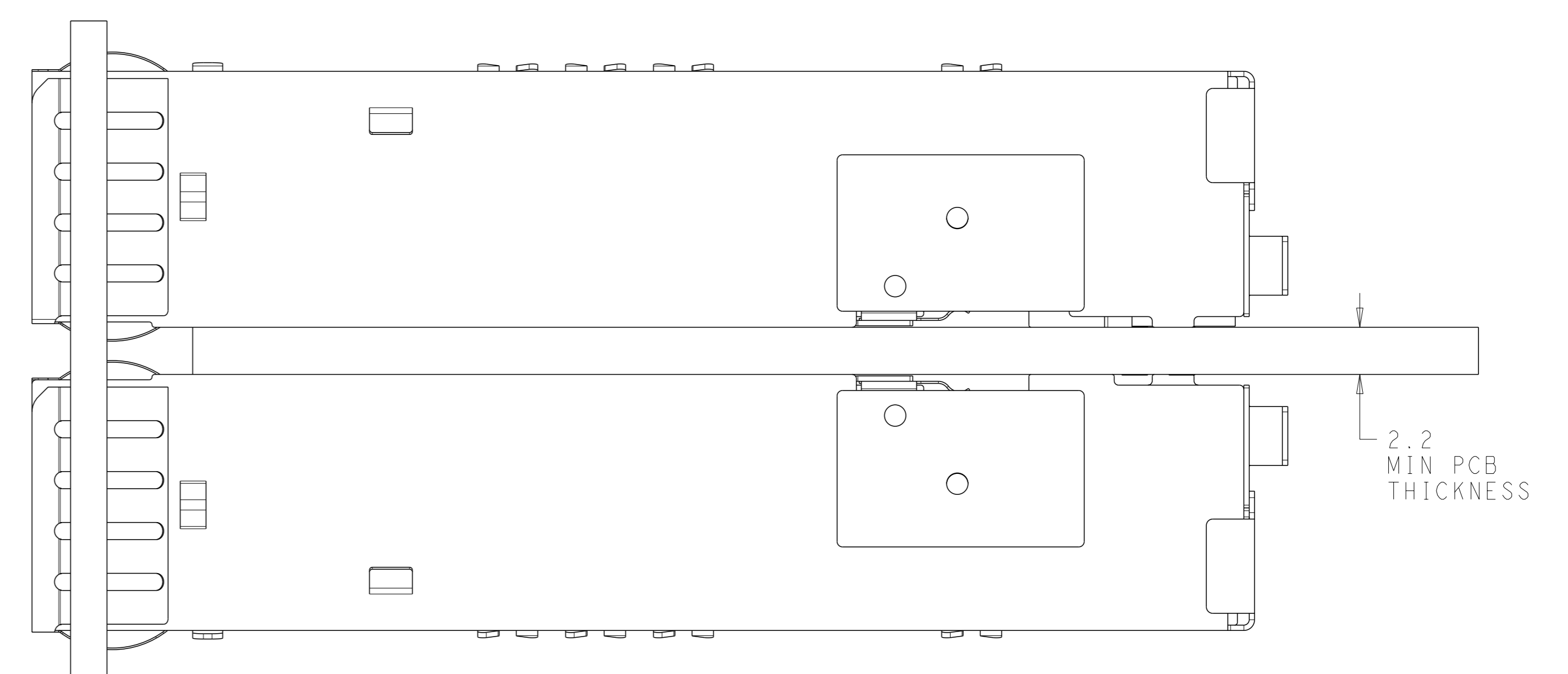
REVISIONS					
#	LY#	DESCRIPTION	DATE	OWN	APVD
-	-	SEE SHEET 1	-	-	-



2297550-1
 SINGLE SIDED
 PCB AND BEZEL LAYOUT



2297550-1
 BELLY TO BELLY
 SAME AS SINGLE SIDED
 EXCEPT WHERE NOTED
 PCB AND BEZEL LAYOUT

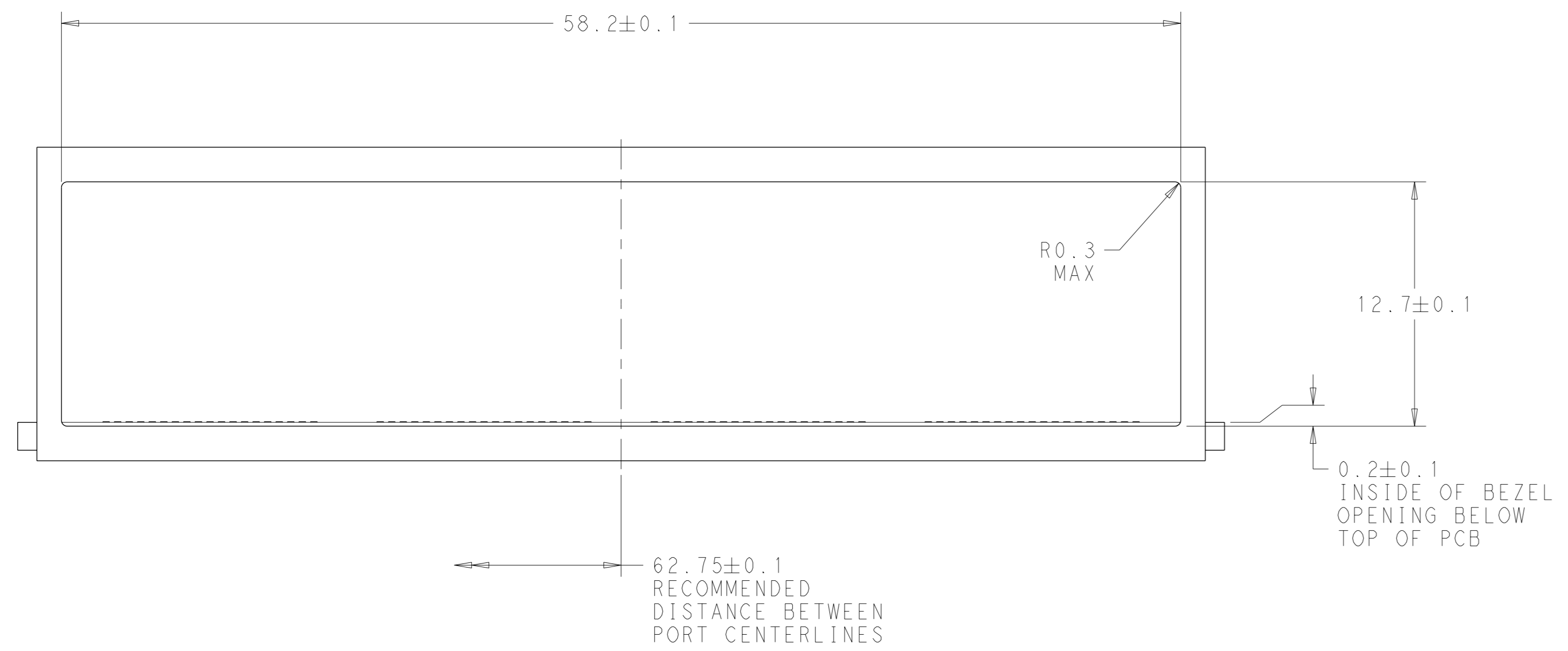


THIS DRAWING IS A CONTROLLED DOCUMENT.

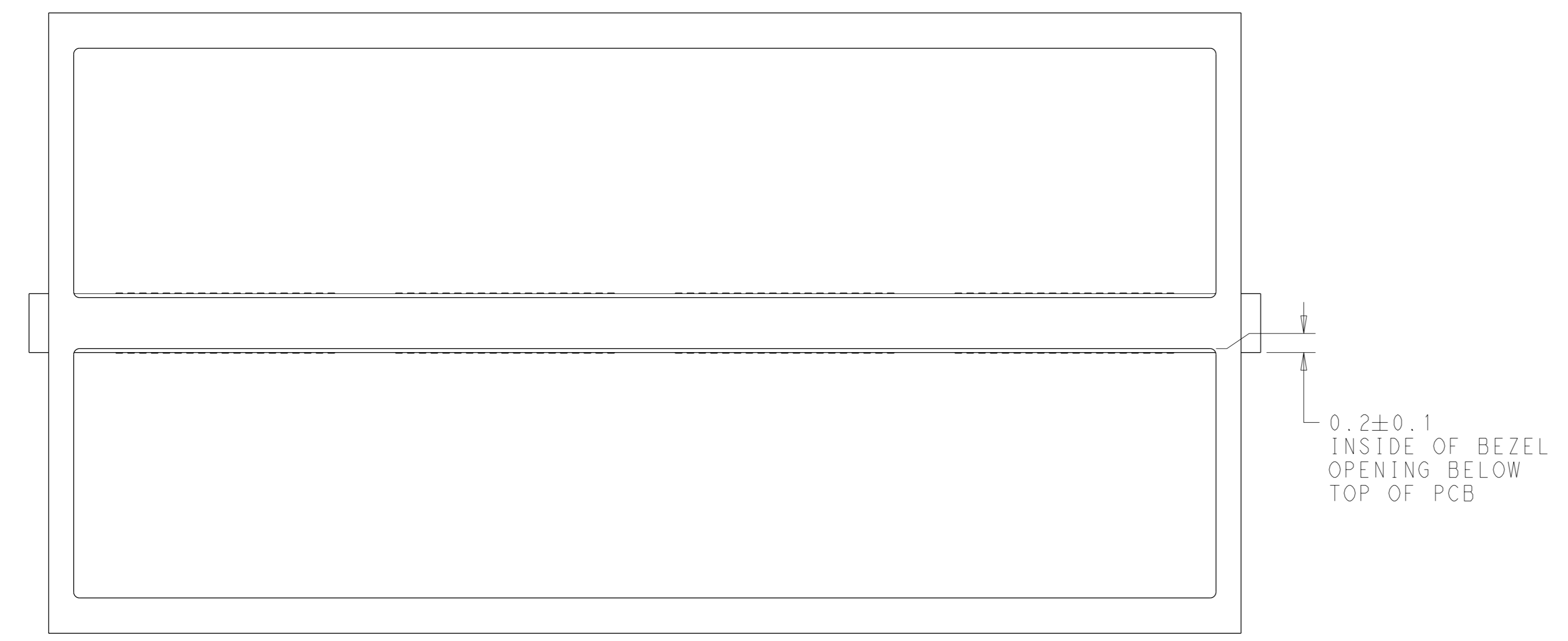
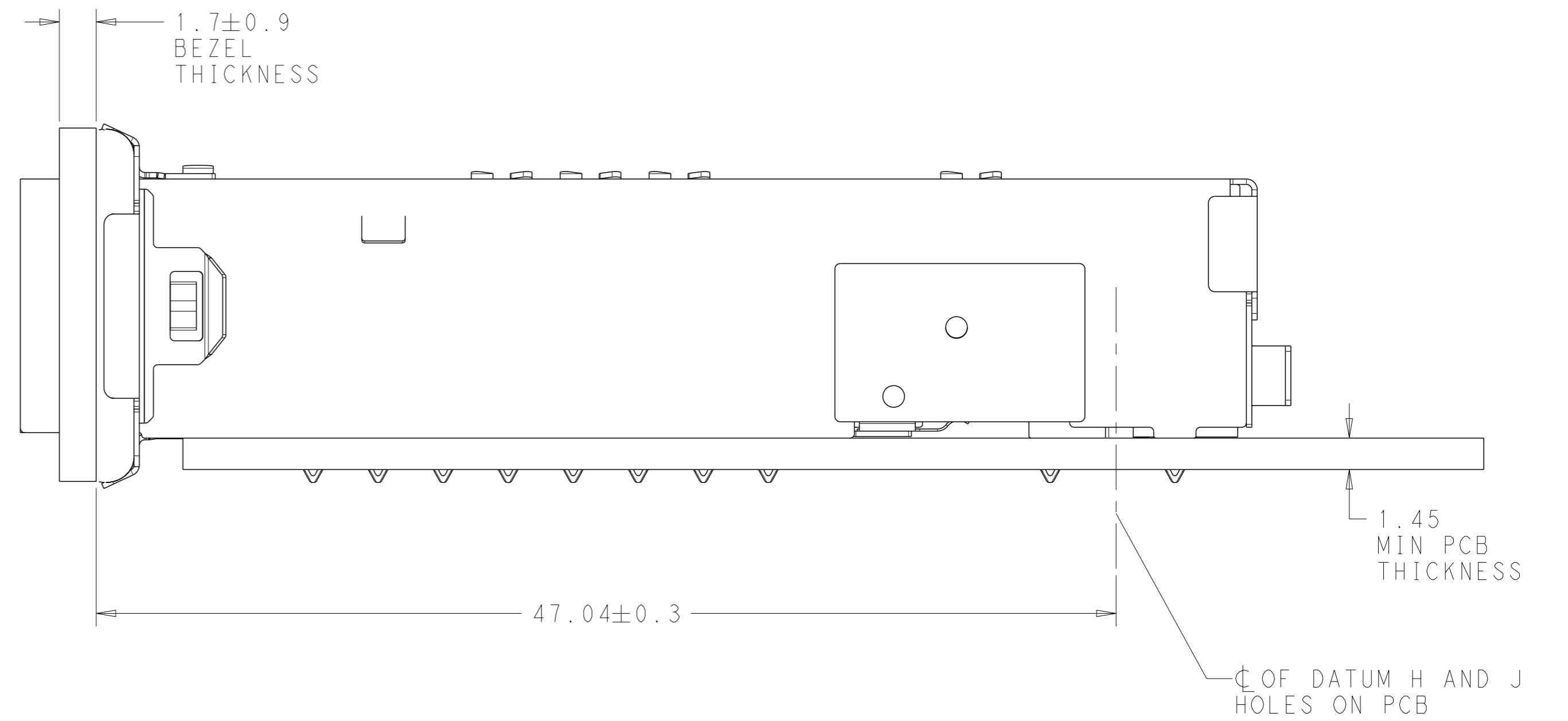
DWN C. VALENTINE 12JAN2016	CHK E. BRIANT 12JAN2016	APVD E. BRIANT 12JAN2016	NAME CAGE ASSEMBLY, 1X4, microQSFP
DIMENSIONS: mm		TOLERANCES UNLESS OTHERWISE SPECIFIED: 0 PLC ± 1 PLC ± 2 PLC ± 3 PLC ± 4 PLC ± ANGLES ±1° FINISH	PRODUCT SPEC 108-32129 APPLICATION SPEC 114-32151
MATERIAL		WEIGHT	SIZE A1
CUSTOMER DRAWING		SCALE 5:1	RESTRICTED TO SHEET 2 OF 6 REV A

STE TE Connectivity

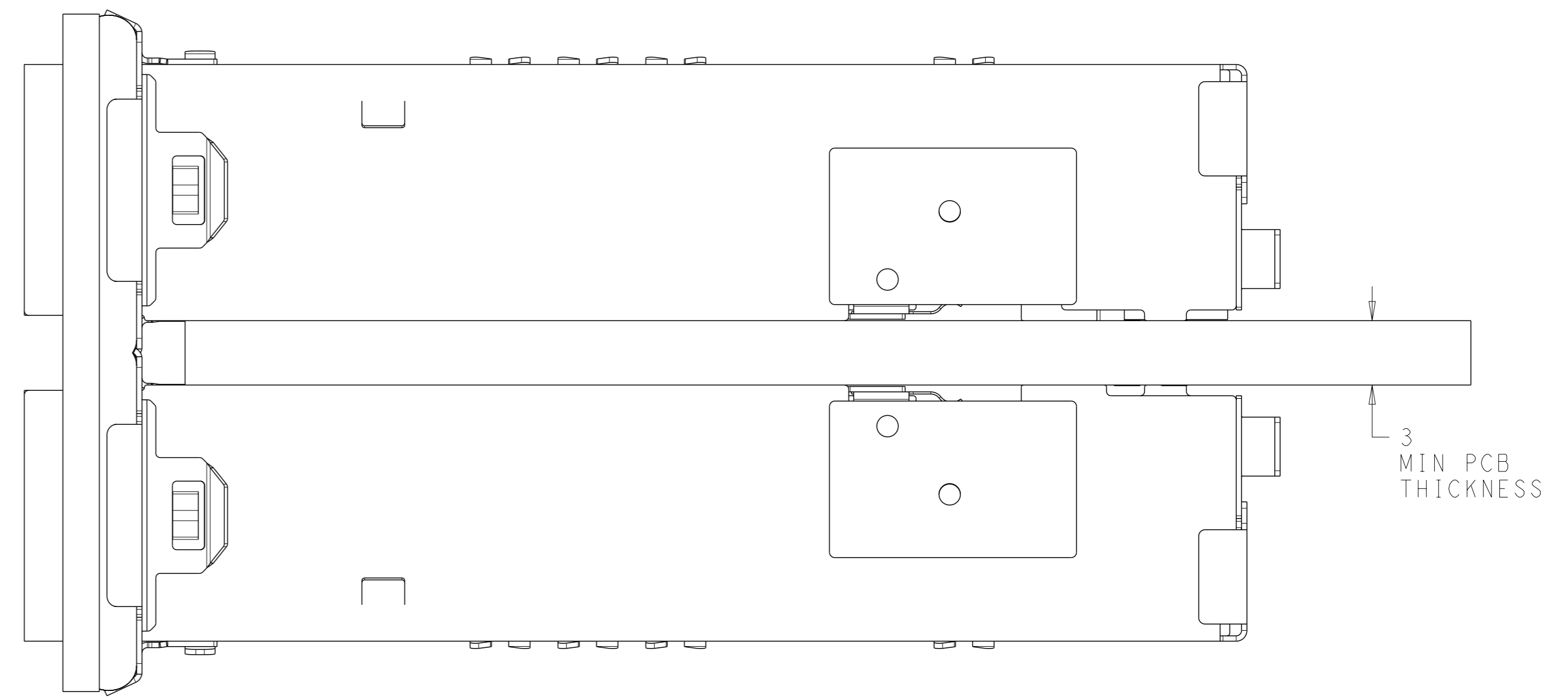
REVISIONS				
#	LY#	DESCRIPTION	DATE	OWN APVD
-	-	SEE SHEET 1	-	-



2297550-2
SINGLE SIDED
PCB AND BEZEL LAYOUT

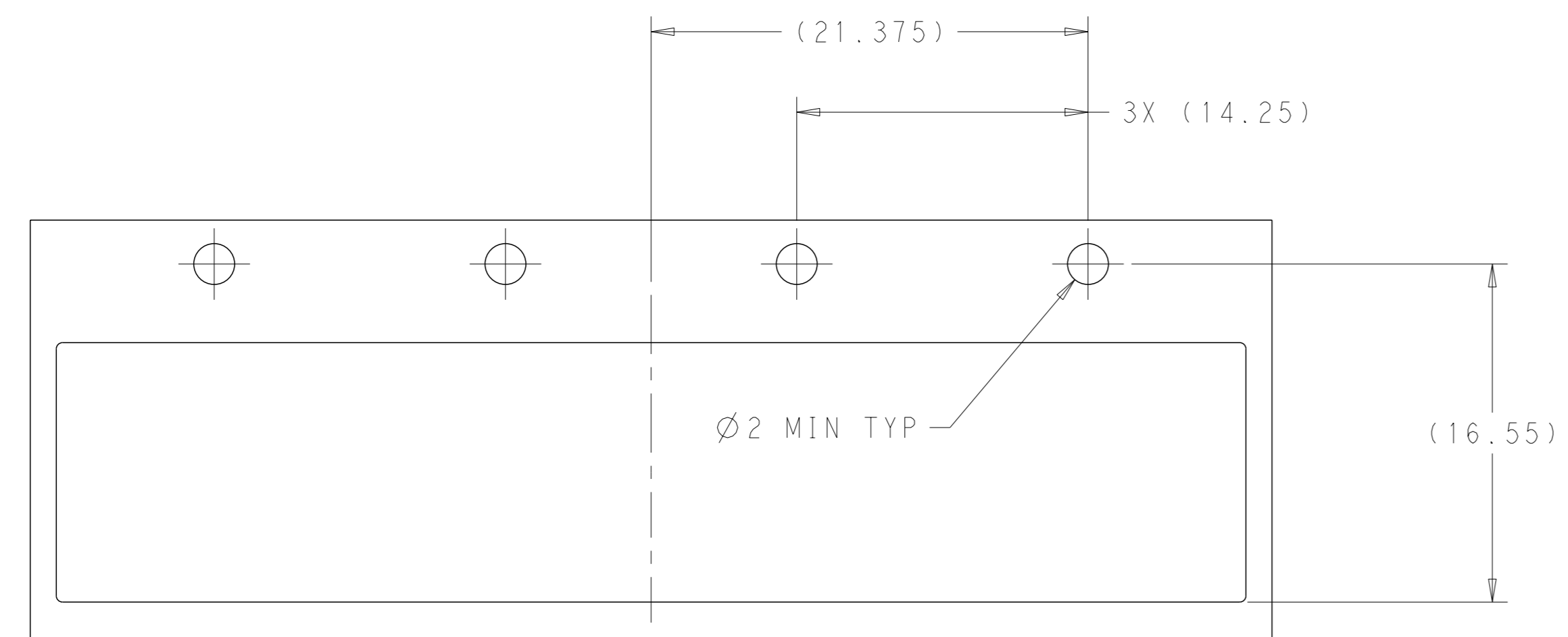


2297550-2
BELLY TO BELLY
SAME AS SINGLE SIDED
EXCEPT WHERE NOTED
PCB AND BEZEL LAYOUT

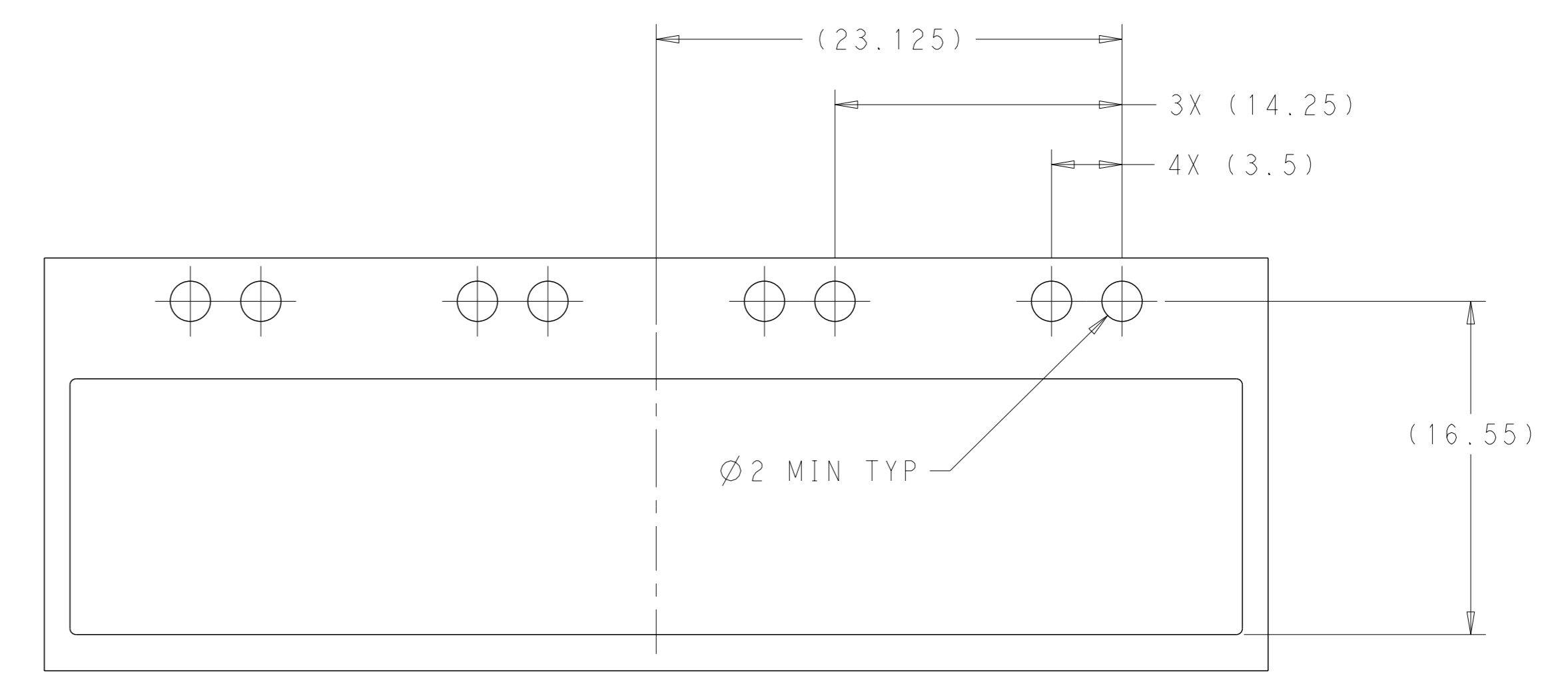


THIS DRAWING IS A CONTROLLED DOCUMENT.		OWN C. VALENTINE 12 JAN 2016	TE Connectivity
DIMENSIONS: mm		CHK E. BRIANT 12 JAN 2016	
TOLERANCES UNLESS OTHERWISE SPECIFIED:		APVD E. BRIANT 12 JAN 2016	NAME CAGE ASSEMBLY, 1X4, microSFP
0 PLC ±	1 PLC ±	PRODUCT SPEC 108-32129	RESTRICTED TO
2 PLC ±	3 PLC ±	APPLICATION SPEC 114-32151	SIZE A1
4 PLC ±	ANGLES ±1°	WEIGHT	CAGE CODE DRAWING NO - C=2297550
MATERIAL	FINISH	CUSTOMER DRAWING	SCALE 5:1 SHEET 3 OF 6 REV A

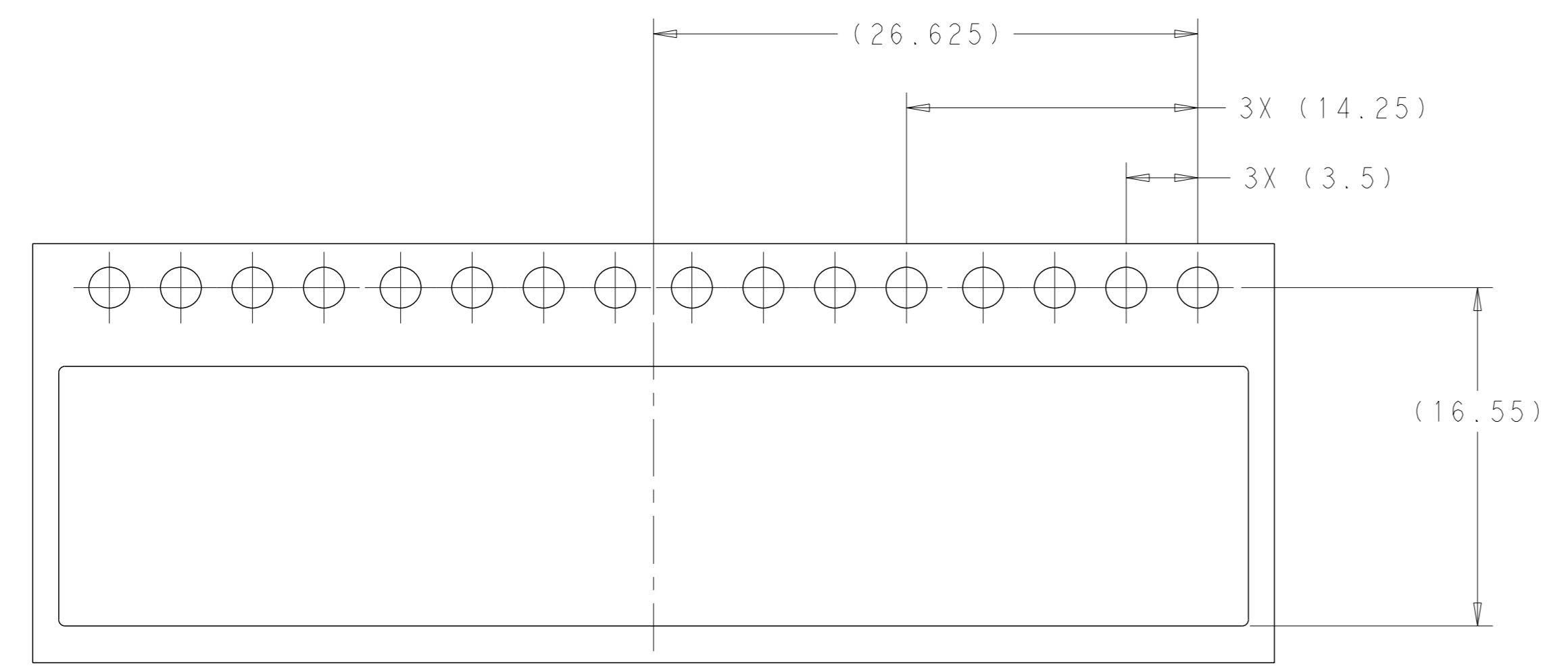
REVISIONS				
#	LY#	DESCRIPTION	DATE	OWN / APVD
-	-	SEE SHEET 1	-	-



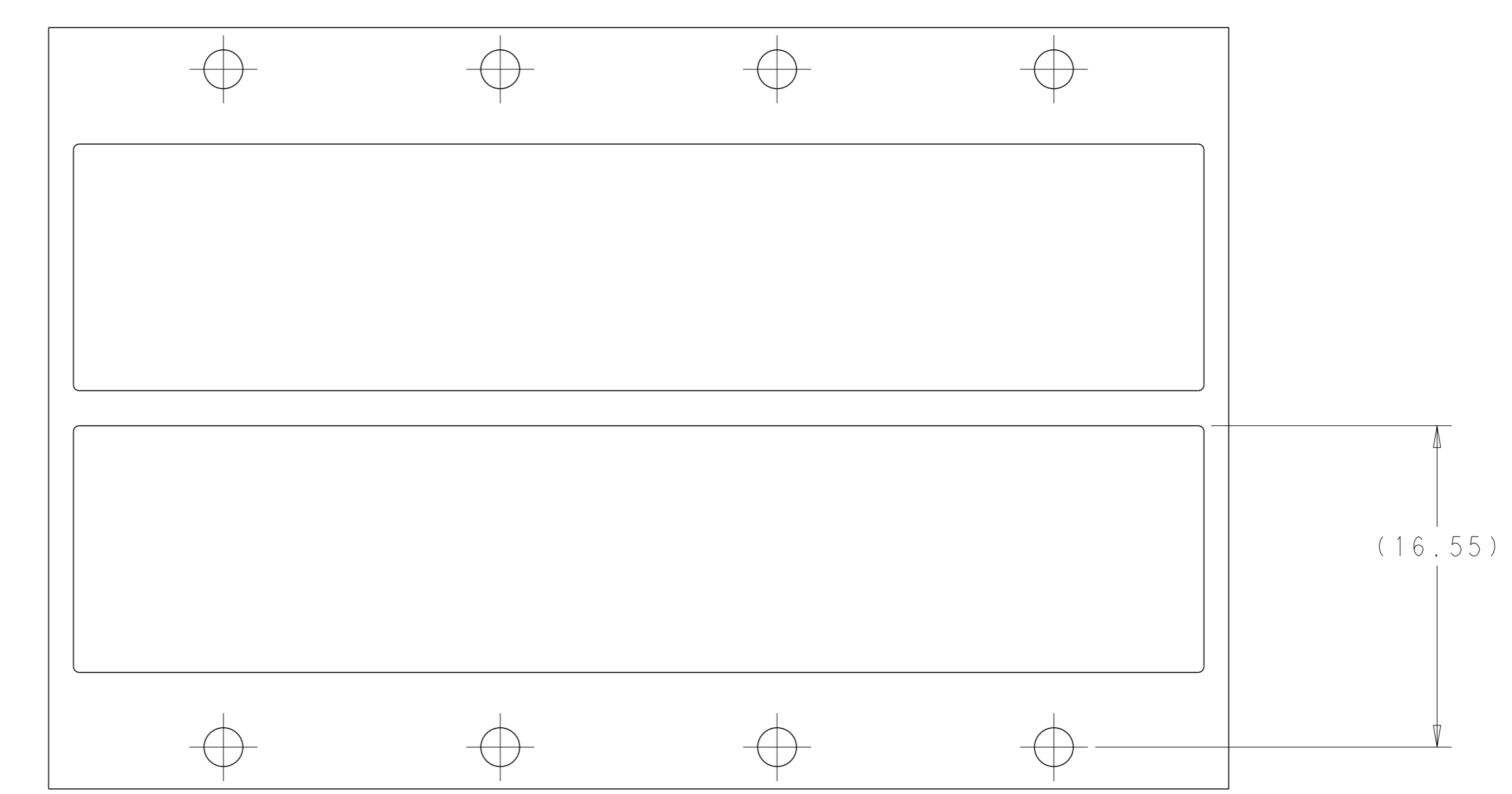
BEZEL LAYOUT FOR SINGLE LIGHT PIPE
 SINGLE SIDED
 SCALE 4:1



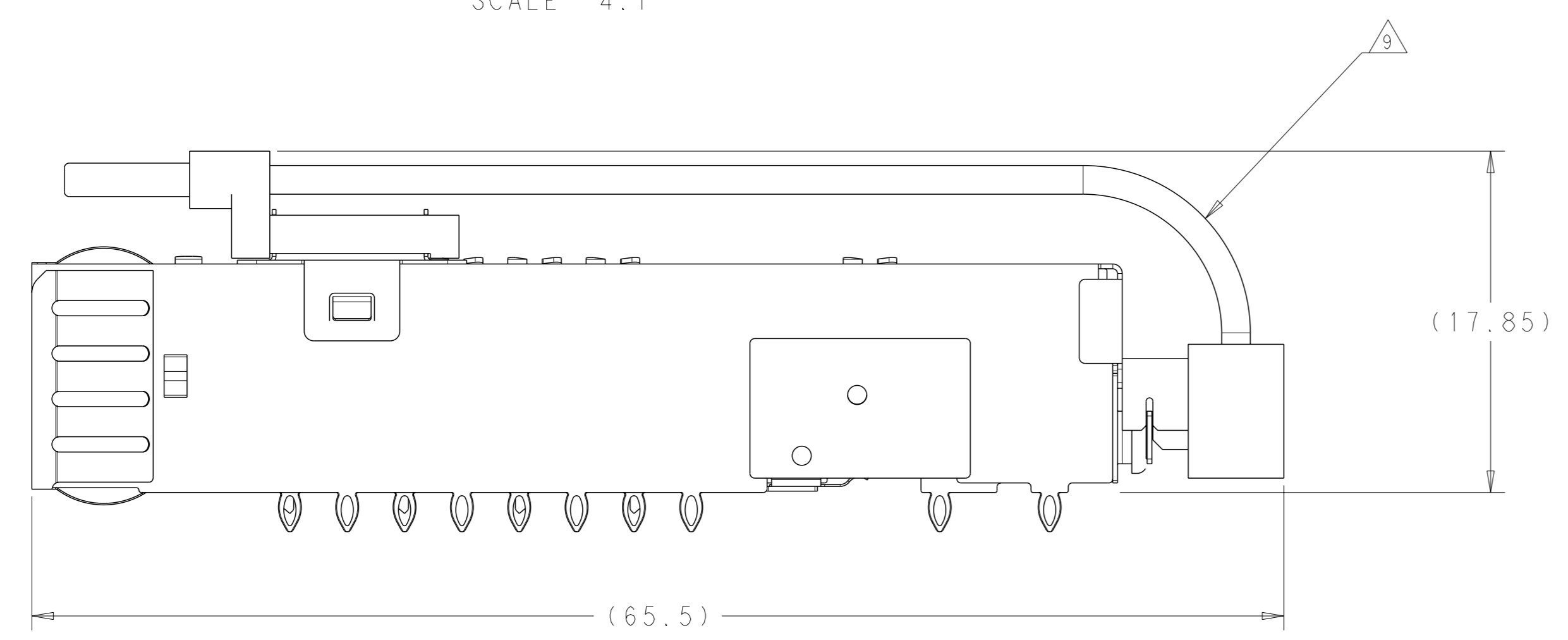
BEZEL LAYOUT FOR DOUBLE LIGHT PIPE
 SINGLE SIDED
 SCALE 4:1



BEZEL LAYOUT FOR QUAD LIGHT PIPES
 SINGLE SIDED
 SCALE 4:1



BEZEL LAYOUT FOR LIGHT PIPES
 BELLY TO BELLY
 SIMILAR TO SINGLE SIDED
 EXCEPT WHERE NOTED
 SCALE 4:1

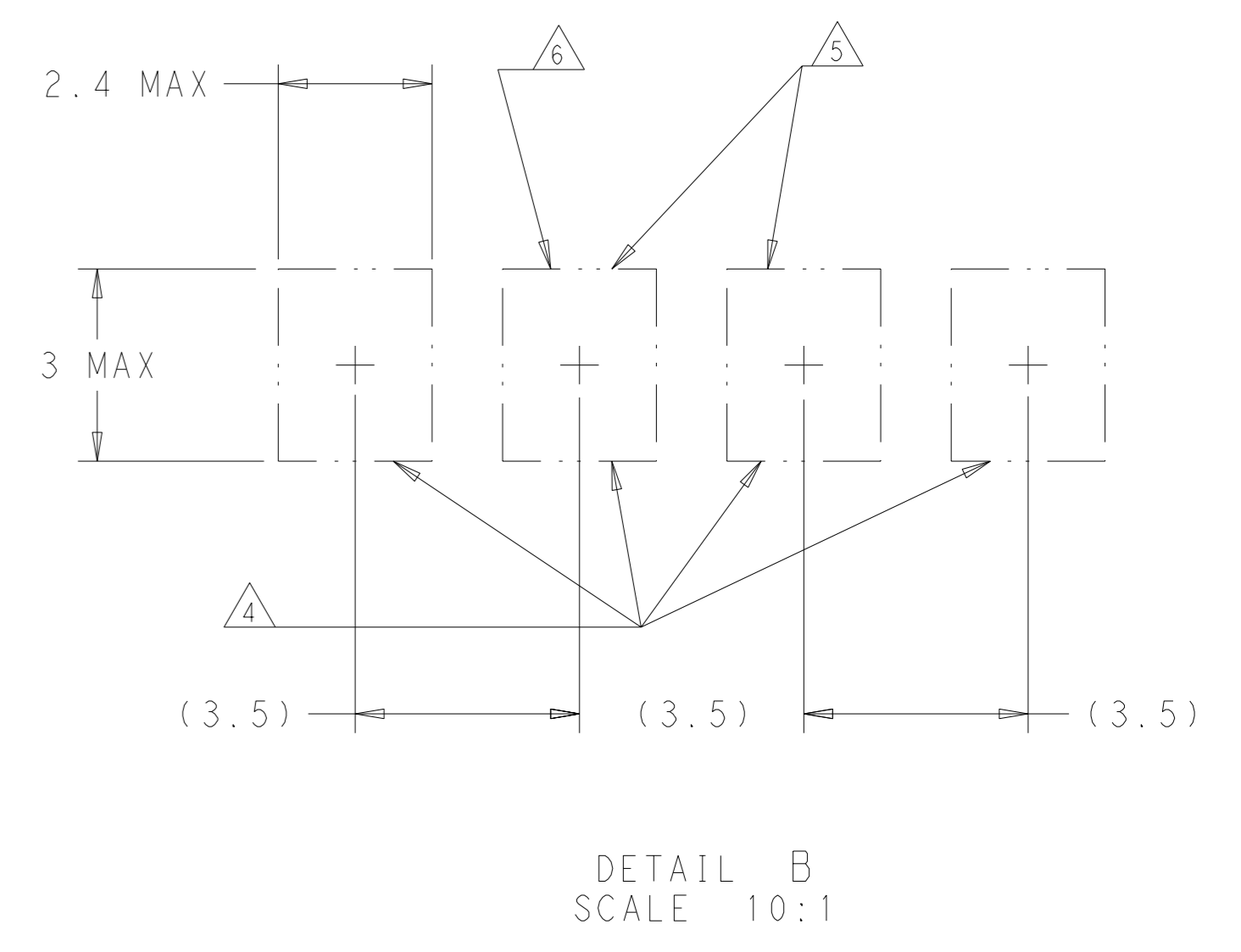
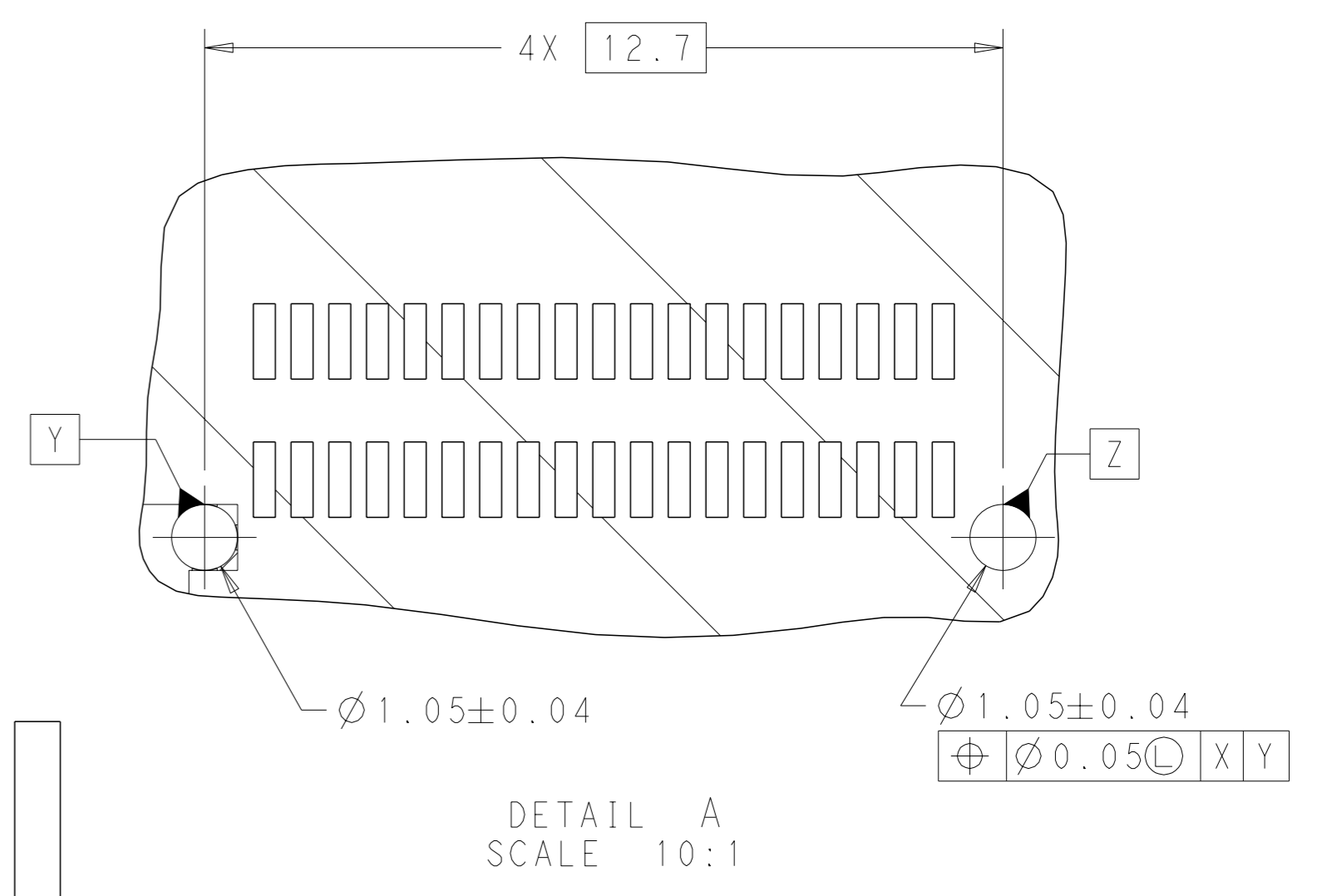
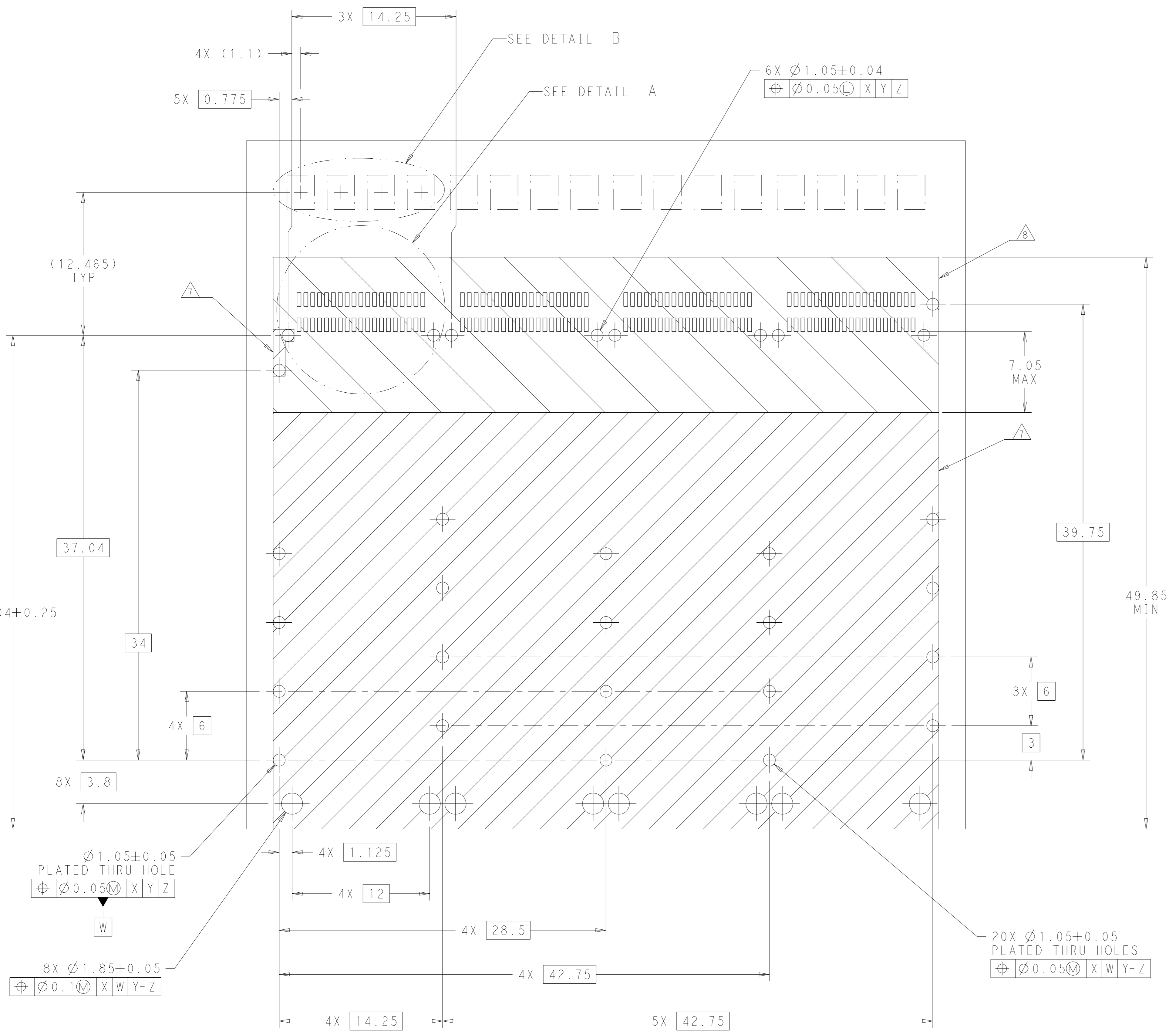


4-2297550-1
 SCALE 4:1

THIS DRAWING IS A CONTROLLED DOCUMENT.		OWN C. VALENTINE 12JAN2016	TE Connectivity	
DIMENSIONS:		CHK E. BRIANT 12JAN2016		
mm	TOLERANCES UNLESS OTHERWISE SPECIFIED:	APVD E. BRIANT 12JAN2016	NAME CAGE ASSEMBLY, 1X4, microQSPF	
	0 PLC ± 1 PLC ± 2 PLC ± 3 PLC ± 4 PLC ± ANGLES ±° FINISH ±μm	PRODUCT SPEC 108-32129	RESTRICTED TO	
MATERIAL		APPLICATION SPEC 114-32151	SIZE A1	CAGE CODE DRAWING NO C=2297550
		WEIGHT	SCALE 5:1	SHEET 4 OF 6
		CUSTOMER DRAWING		REV A

REVISIONS				
#	DATE	DESCRIPTION	OWN	APVD
-	-	SEE SHEET 1	-	-

SINGLE SIDED
RECOMMENDED PCB LAYOUT



THIS DRAWING IS A CONTROLLED DOCUMENT.		OWN: C. VALENTINE 12JAN2016	TE Connectivity
DIMENSIONS: mm		CHK: E. BRIANT 12JAN2016	
TOLERANCES UNLESS OTHERWISE SPECIFIED:		APVD: E. BRIANT 12JAN2016	NAME: CAGE ASSEMBLY, 1X4, microQSFP
0 PLC \pm	1 PLC \pm	PRODUCT SPEC: 108-32129	SIZE: A1
2 PLC \pm	3 PLC \pm	APPLICATION SPEC: 114-32151	CAGE CODE: -
4 PLC \pm	ANGLES \pm	FINISH: *1*	DRAWING NO: C=2297550
MATERIAL: -	WEIGHT: -	CUSTOMER DRAWING	RESTRICTED TO: -
SCALE: 5:1			SHEET 5 OF 6
REV: A			

