

6

5

4

3

2

1

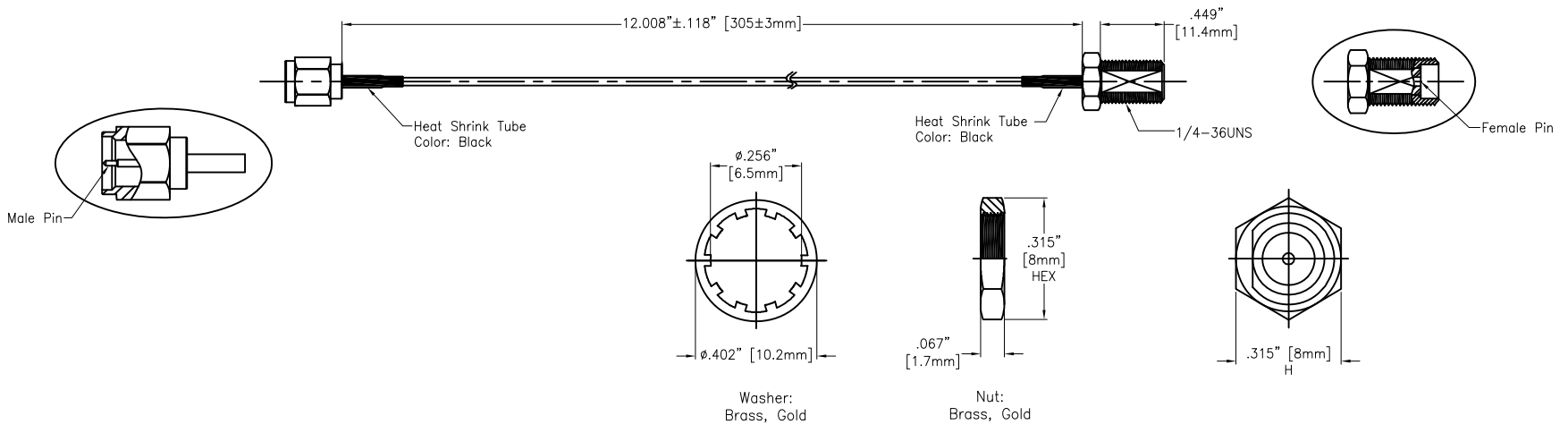
APPROVED: _____
DATE: _____ TITLE: _____

Rev	AWO #	Description	Date	Appr
-		RELEASED	11/16/18	

CUSTOM CABLE ASSEMBLIES ARE NON-CANCELLABLE / NON-RETURNABLE

P1

P2



SPECIFICATIONS:

Connector:
P1= SMA Straight Plug Connector, Male Pin, Gold plated
P2= SMA Straight Jack Connector, Female Pin, Gold plated

Cable:

RG316
Electrical:
Impedance: 50 ohms
Frequency range: DC-6 GHz

Electrical Test:

All Assemblies must be 100% Tested for Shorts, Open, Continuity, and Physical Appearance.

Environmental:

Lead free, RoHS compliant



UNLESS OTHERWISE SPECIFIED
ALL DIMENSIONS ARE INCHES [MM]
TOLERANCES: EXCEPT AS NOTED
INCHES HOLES

.X	± .10	∅.X	± .10
.XX	± .020	∅.XX	± .015
.XXX	± .015	∅.XXX	± .010

ADAM TECH
INTERCONNECTS

909 Rahway Avenue,
Union, NJ 07083
Phone: 908-687-5000
Fax: 908-687-5710

APPROVALS		DATE
DRAWN	AY	11/16/18
CHECKED	AC	11/16/18
APPROVED		

TITLE CUSTOM ASSEMBLY, SMA ST PLUG TO SMA ST JACK, RG316 CABLE		
SIZE X	PART NO. CA#DKCA1-305L5-APAJ	REV. -
REF: S00291T	SCALE: NTS	SHEET 1 OF 1

6

5

4

3

2

1