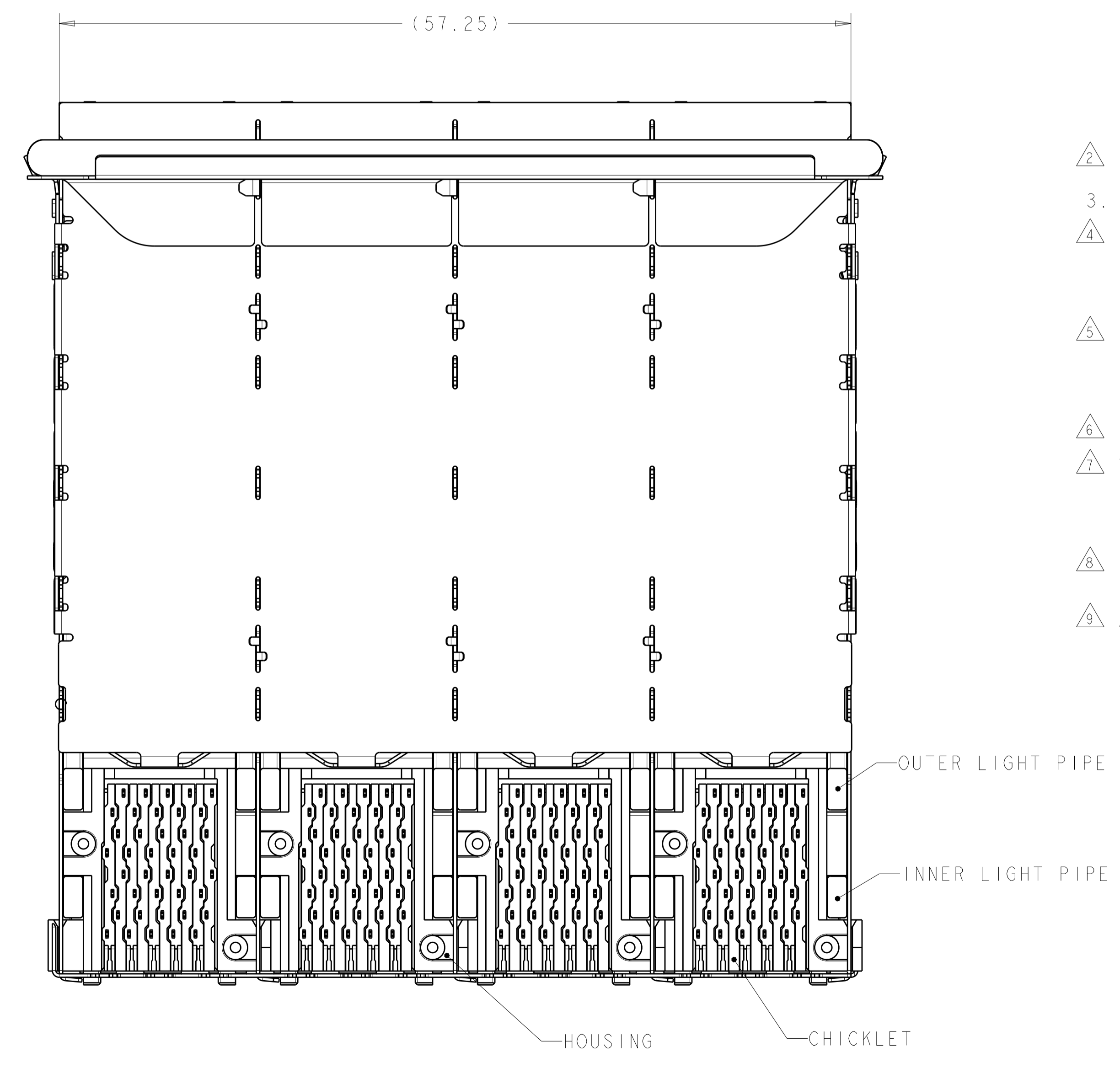
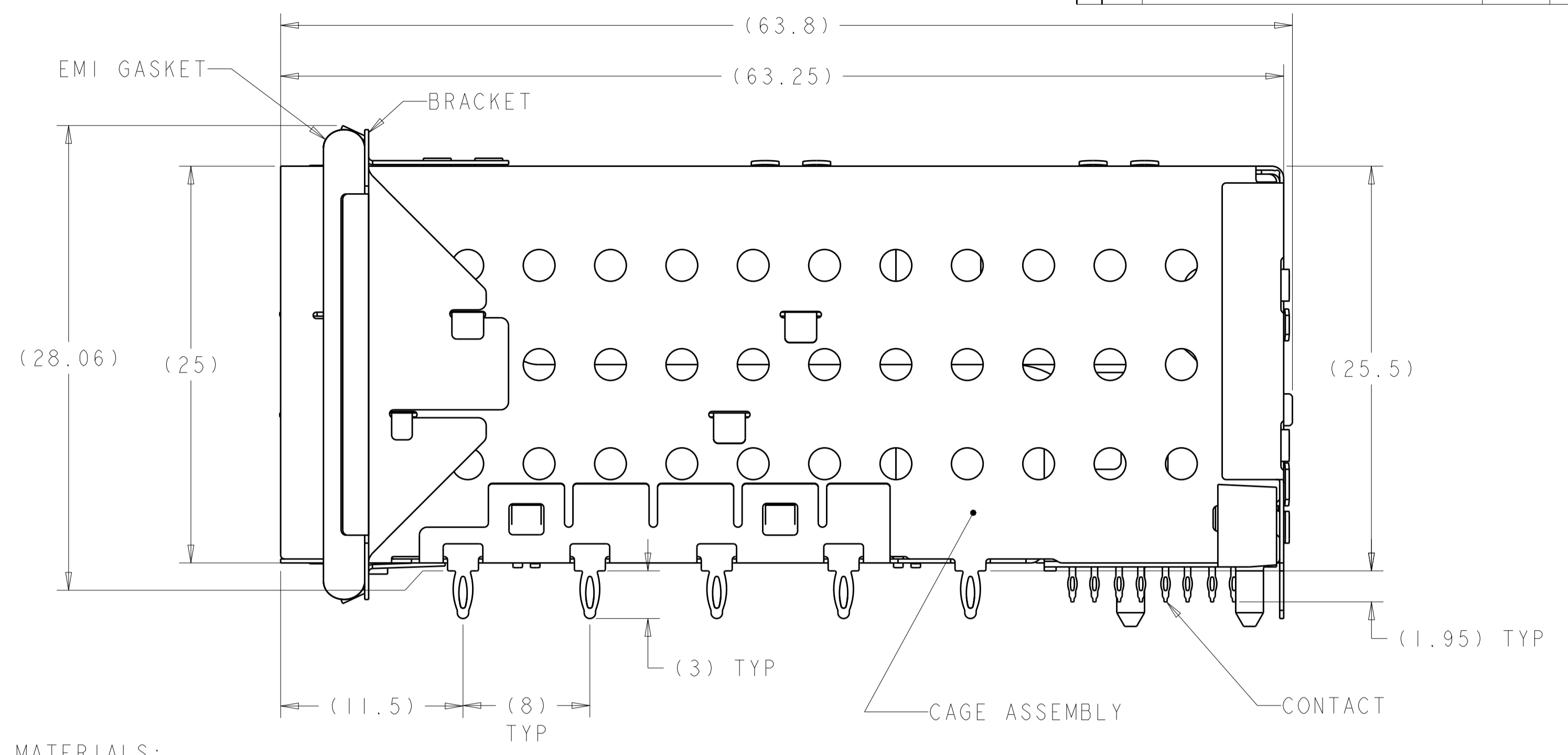
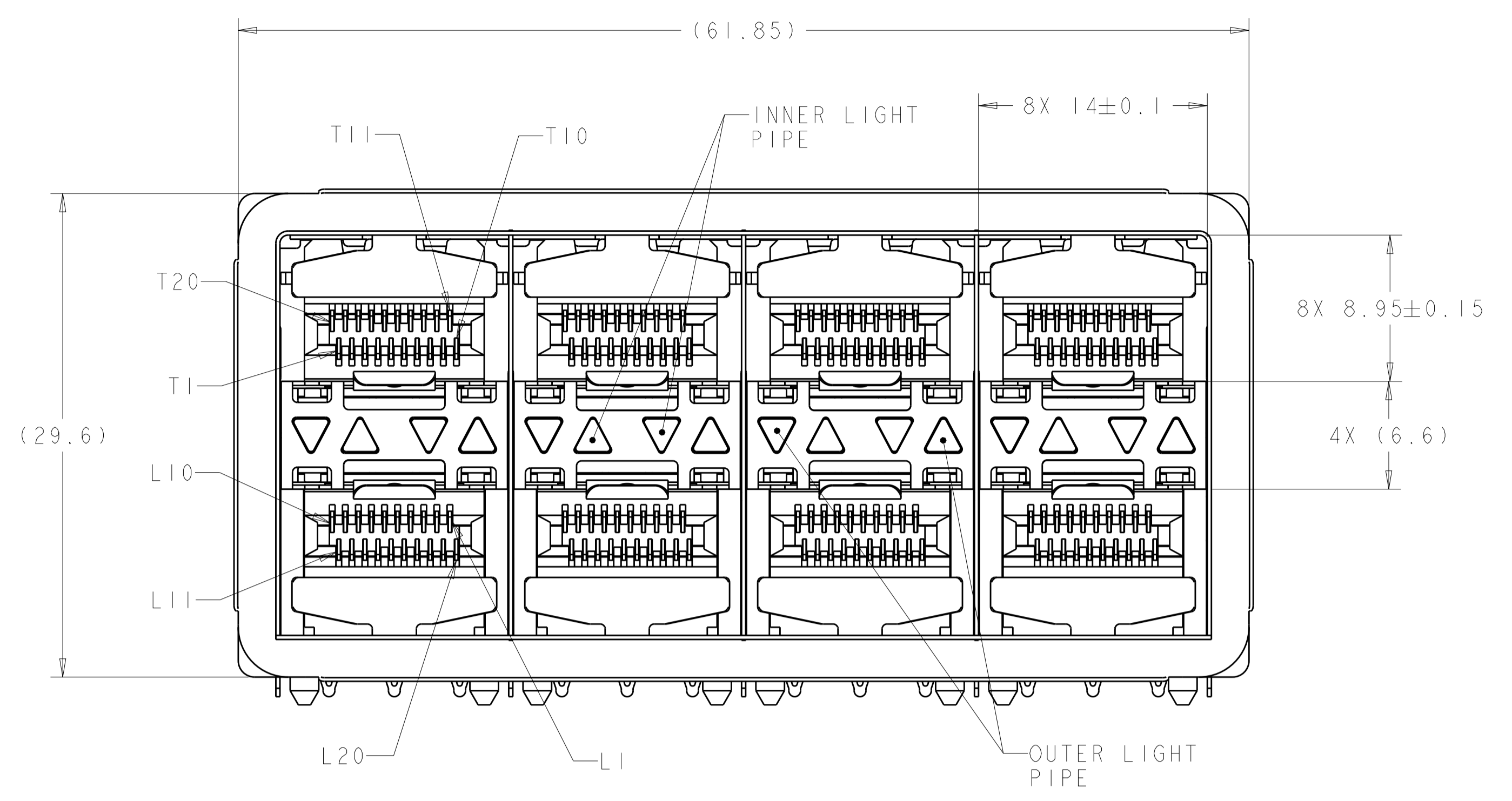


REVISIONS				
P.	LTN.	DESCRIPTION	DATE	APV.
D		REVISED PER ECO-15-017922	12APR2016	AP RP
DI		REVISED PER ECR-19-012588	09AUG2019	IT SH



- △ MATERIALS:  
 CAGE ASSEMBLY- NICKEL SILVER ALLOY PER ASTM B 122.  
 BRACKET- STAINLESS STEEL.  
 EMI GASKET- PLATED FILLED SILICONE.  
 HOUSING- BLACK LCP, UL 94V-0 RATED.  
 CHICKLET- BLACK LCP, UL 94V-0 RATED.  
 LIGHT PIPE- POLYCARBONATE, CLEAR.  
 INSERT - (FOR LIGHT PIPE PART NUMBERS ONLY) - LCP, BLACK, UL 94V-0  
 CONTACT- COPPER ALLOY.
- △ DATUM AND BASIC DIMENSIONS ESTABLISHED BY CUSTOMER.
- 3. MINIMUM PCB THICKNESS OF 1.5.
- △ CONTACT FINISH: CONFORMS TO THE REQUIREMENTS OF TYCO ELECTRONICS PRODUCT SPECIFICATION 108-2331, BASED ON EIA/ECA-364-1000.01A, (CONTROLLED ENVIRONMENT APPLICATIONS) ON MATING INTERFACE, TIN-LEAD ON NEEDLE EYE.
- △ CONTACT FINISH: CONFORMS TO THE REQUIREMENTS OF TYCO ELECTRONICS PRODUCT SPECIFICATION 108-2331, BASED ON EIA/ECA-364-1000.01A, (CONTROLLED ENVIRONMENT APPLICATIONS) ON MATING INTERFACE, TIN ON NEEDLE EYE.
- △ FOR HOLE SIZE AND PLATINGS, SEE APPLICATION SPEC 114-13219.
- △ THE ENTIRE AREA OF THE CONNECTOR FOOTPRINT, INDICATED BY THE DASHED LINE, TO BE CONSIDERED THE KEEPOUT AREA FOR COMPONENTS AND SIGNAL TRACES, TOP SIDE ONLY. TOP SIDE TRACES ALLOWED WITHIN CONNECTOR HOLE PATTERN.
- △ LIGHT PIPE PAD LAYOUT IS FOR 0805 LOW PROFILE LED PACKAGE WITH A HEIGHT OF 0.8mm.
- △ ADDITIONAL COMPONENT LOCATED WITHIN LATCHPLATE FOR EMI SUPPRESSION.

YES	NO	SUPERSEDED	ENHANCED EMI FINISH	DESCRIPTION	PART NUMBER
YES				NO LIGHT PIPES	1-2007399-8
				OUTER 2 LIGHT PIPES	1-2007399-7
				INNER 2 LIGHT PIPES	1-2007399-6
				4 LIGHT PIPES	1-2007399-5
	NO			NO LIGHT PIPES	2007399-8
				OUTER 2 LIGHT PIPES	2007399-7
				INNER 2 LIGHT PIPES	2007399-6
				4 LIGHT PIPES	2007399-5
				NO LIGHT PIPES	2007399-4
				OUTER 2 LIGHT PIPES	2007399-3
				INNER 2 LIGHT PIPES	2007399-2
				4 LIGHT PIPES	2007399-1

THIS DRAWING IS A CONTROLLED DOCUMENT.

DIMENSIONS: mm

TOLERANCES UNLESS OTHERWISE SPECIFIED:

0 PLC	±0.10
1 PLC	±0.10
2 PLC	±0.10
3 PLC	±0.10
4 PLC	±0.10
ANGLES	±°

MATERIAL: 1

FINISH: 4, 5

DWN: M. SHIRK 10OCT2007  
 CHK: D. SZCZESNY 10OCT2007  
 APV: D. SZCZESNY 10OCT2007

PRODUCT SPEC: 108-2331  
 APPLICATION SPEC: 114-13219

WEIGHT: -

CUSTOMER DRAWING

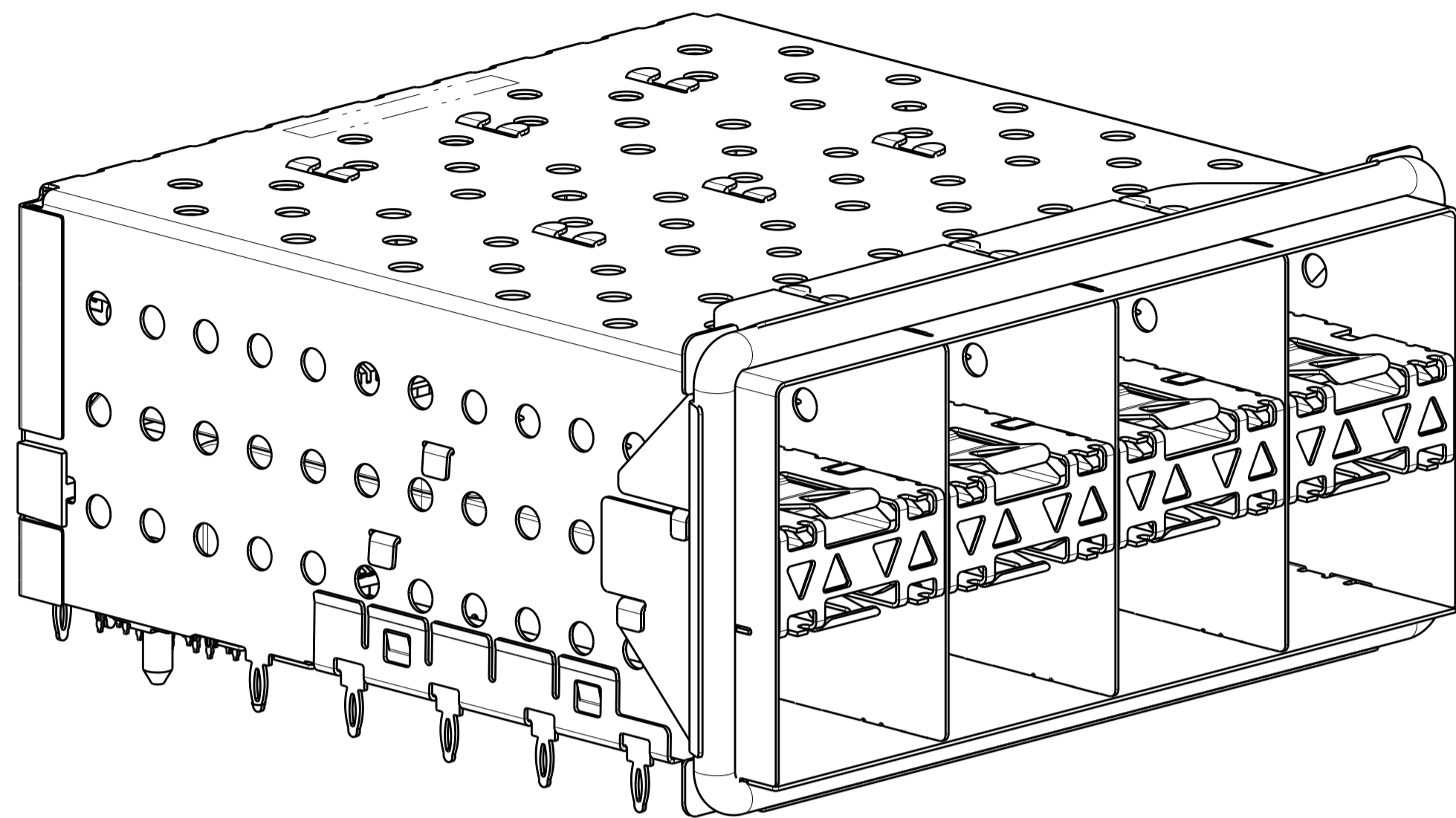
SCALE: 4:1 SHEET 1 OF 4 REV: D1

**STE** TE Connectivity

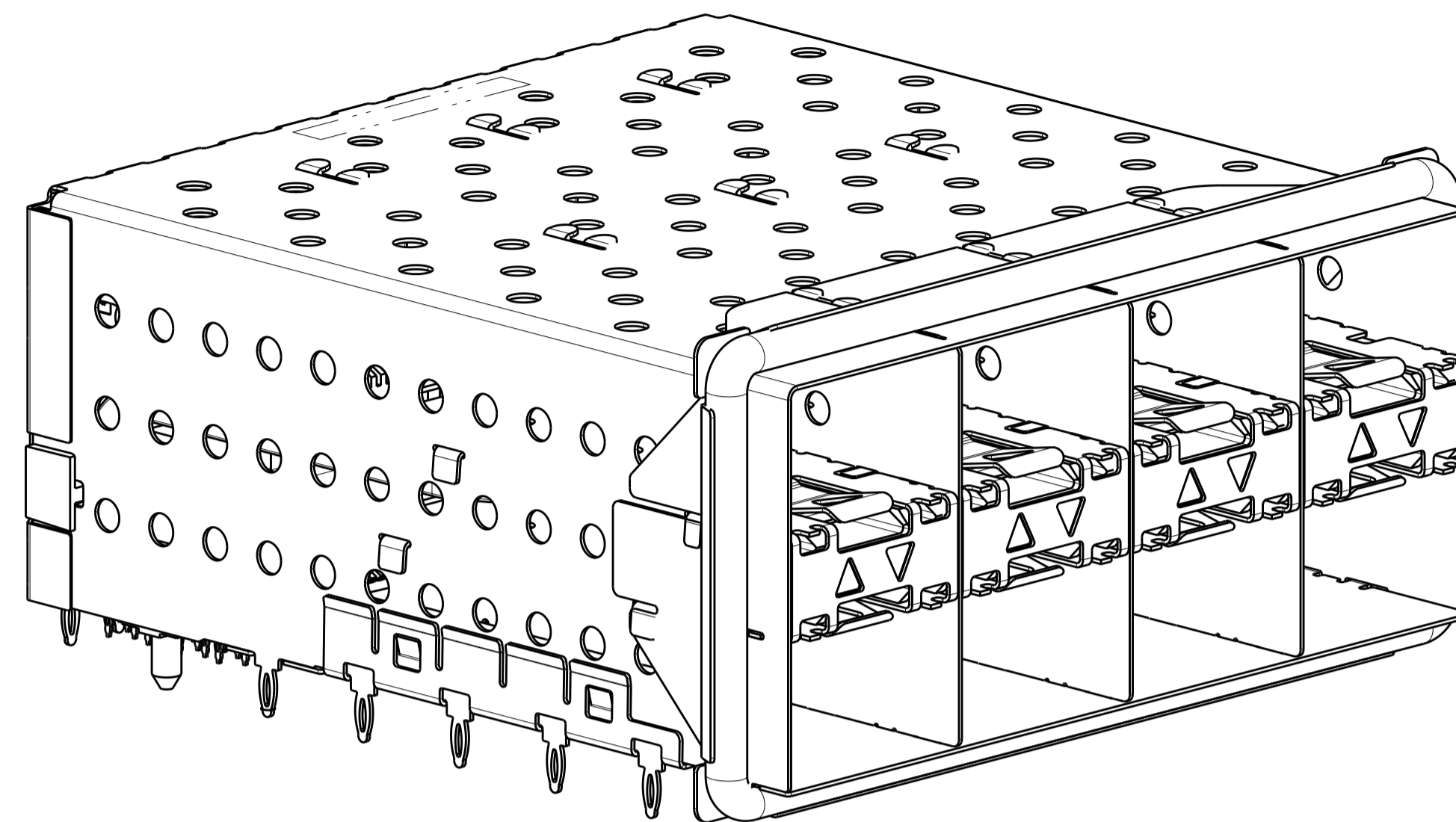
NAME: CAGE AND PT CONNECTOR ASSEMBLY, WITH EMI GASKET, PRESS FIT, 2X4, STACKED SFP+

SIZE: CAGE CODE DRAWING NO: A100779 C=2007399

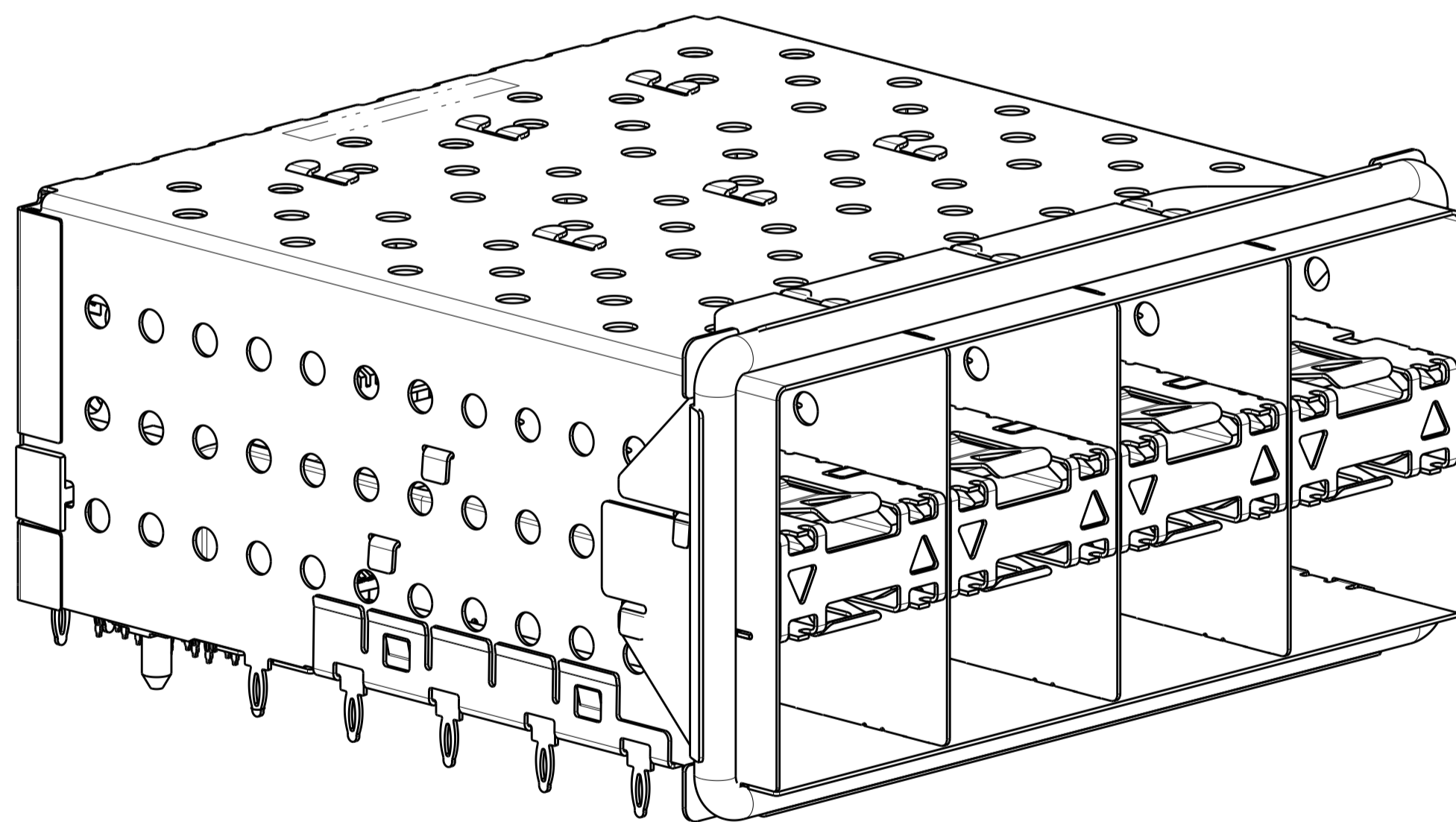
REVISIONS				
P.	LTN	DESCRIPTION	DATE	APPV
-	-	SEE SHEET 1	-	-



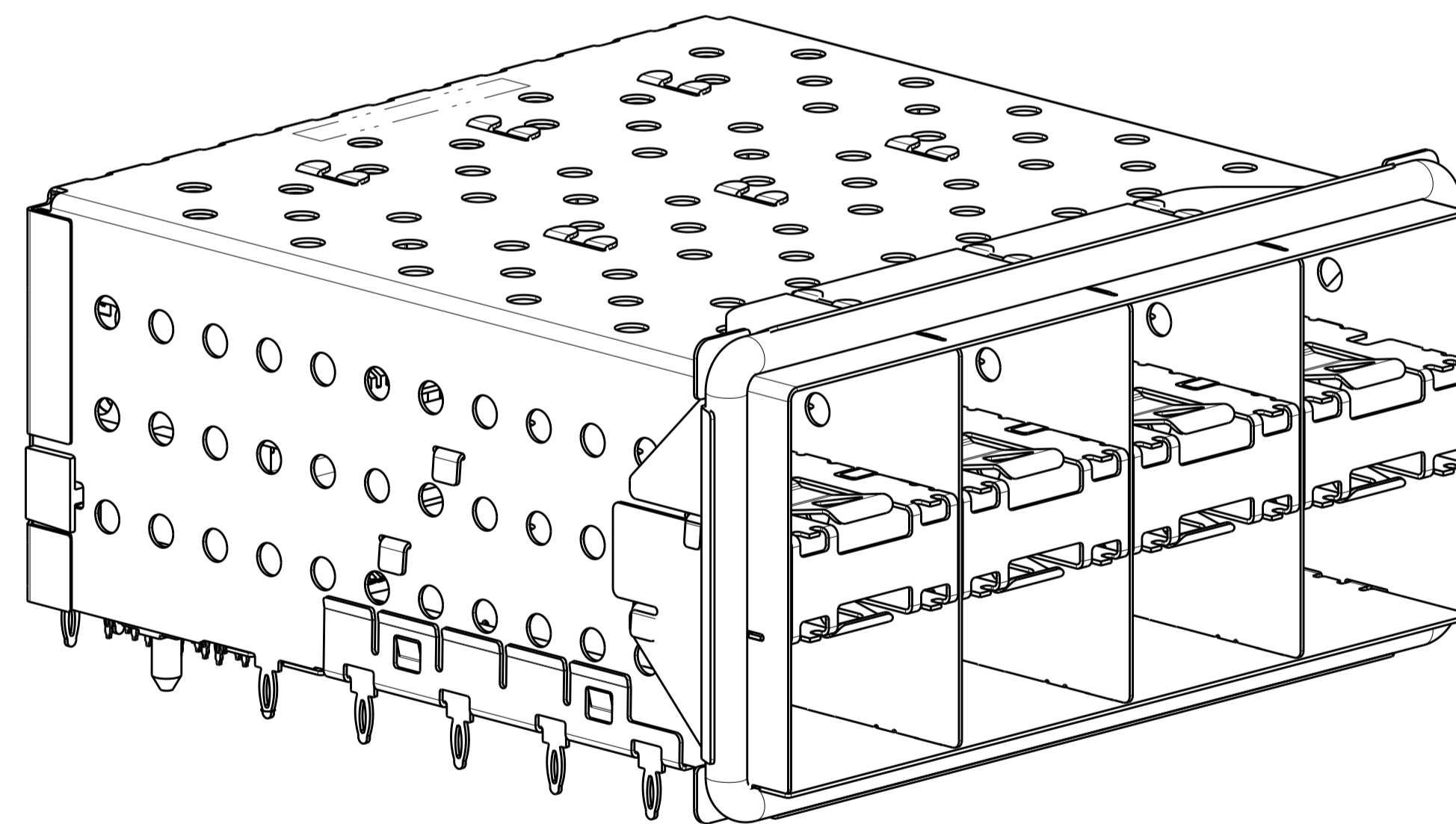
2007399-5 AND 1-2007399-5  
 SCALE 3:1




2007399-6 AND 1-2007399-6  
 SCALE 3:1



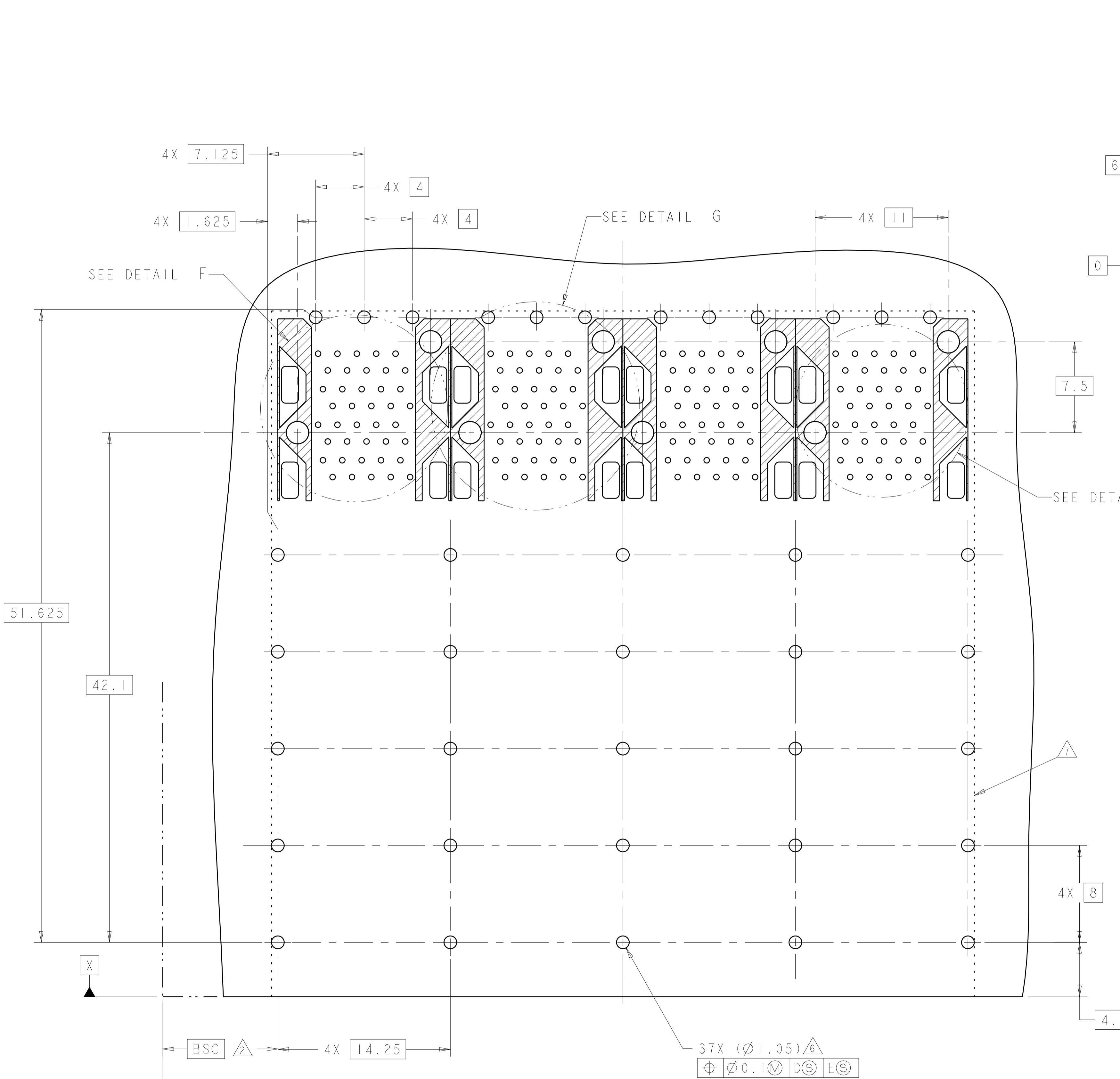
2007399-7 AND 1-2007399-7  
 SCALE 3:1



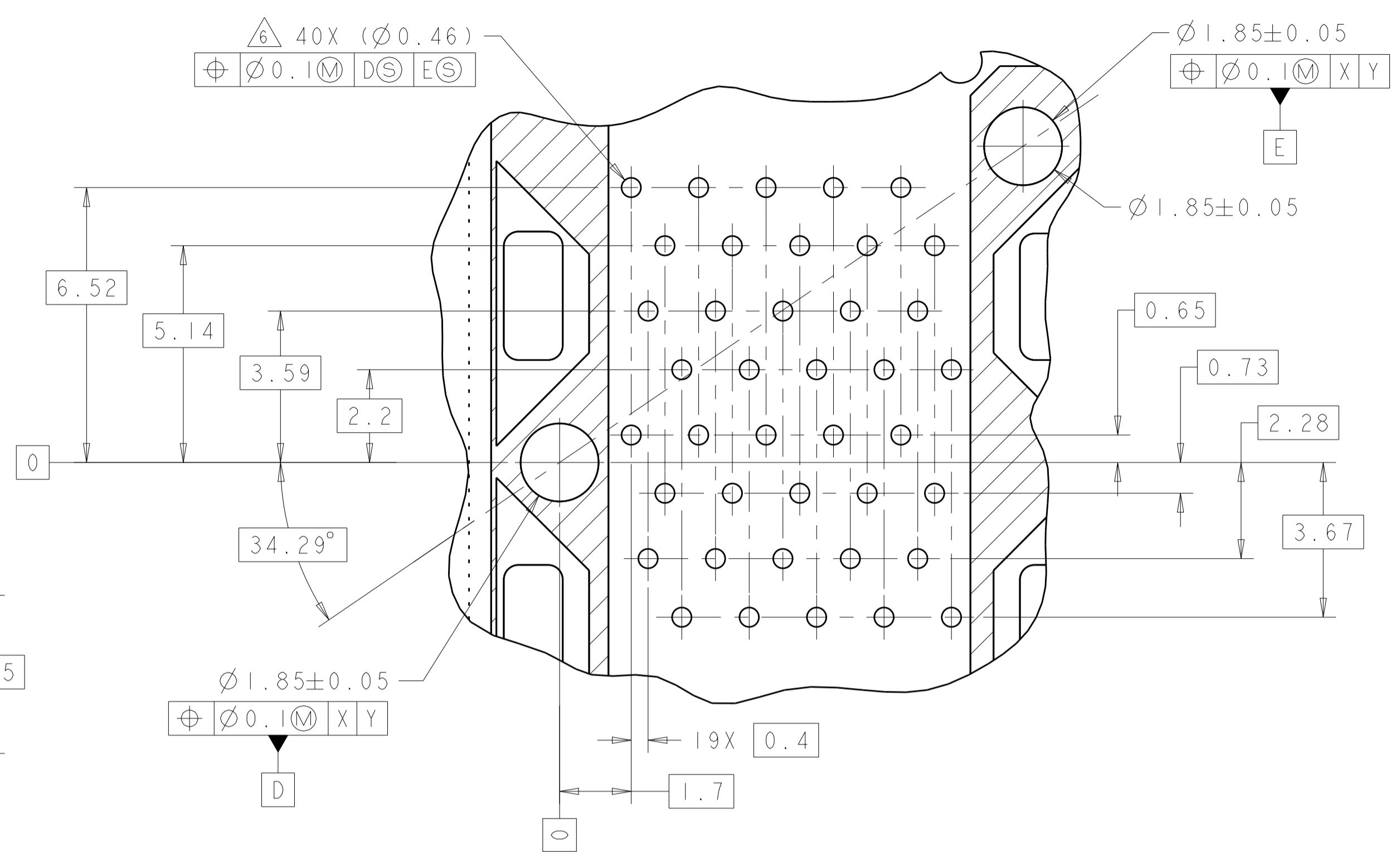
2007399-8 AND 1-2007399-8  
 SCALE 3:1

THIS DRAWING IS A CONTROLLED DOCUMENT.		DWN: M. SHIRK 10OCT2007	 TE Connectivity
DIMENSIONS: mm		CHK: D. SZCZESNY 10OCT2007	
TOLERANCES UNLESS OTHERWISE SPECIFIED:		APV: D. SZCZESNY 10OCT2007	NAME: CAGE AND PT CONNECTOR ASSEMBLY, WITH EMI GASKET, PRESS FIT, 2X4, STACKED SFP+
0 PLC ±0.10 1 PLC ±0.10 2 PLC ±0.10 3 PLC ±0.10 4 PLC ±0.10 ANGLES ±°		PRODUCT SPEC: 108-2331	
MATERIAL: FINISH: *		APPLICATION SPEC: 114-13219	SIZE: CAGE CODE DRAWING NO: A100779
		WEIGHT: -	RESTRICTED TO: -
		CUSTOMER DRAWING	SCALE: 4:1 SHEET 1 OF 4 REV: D1

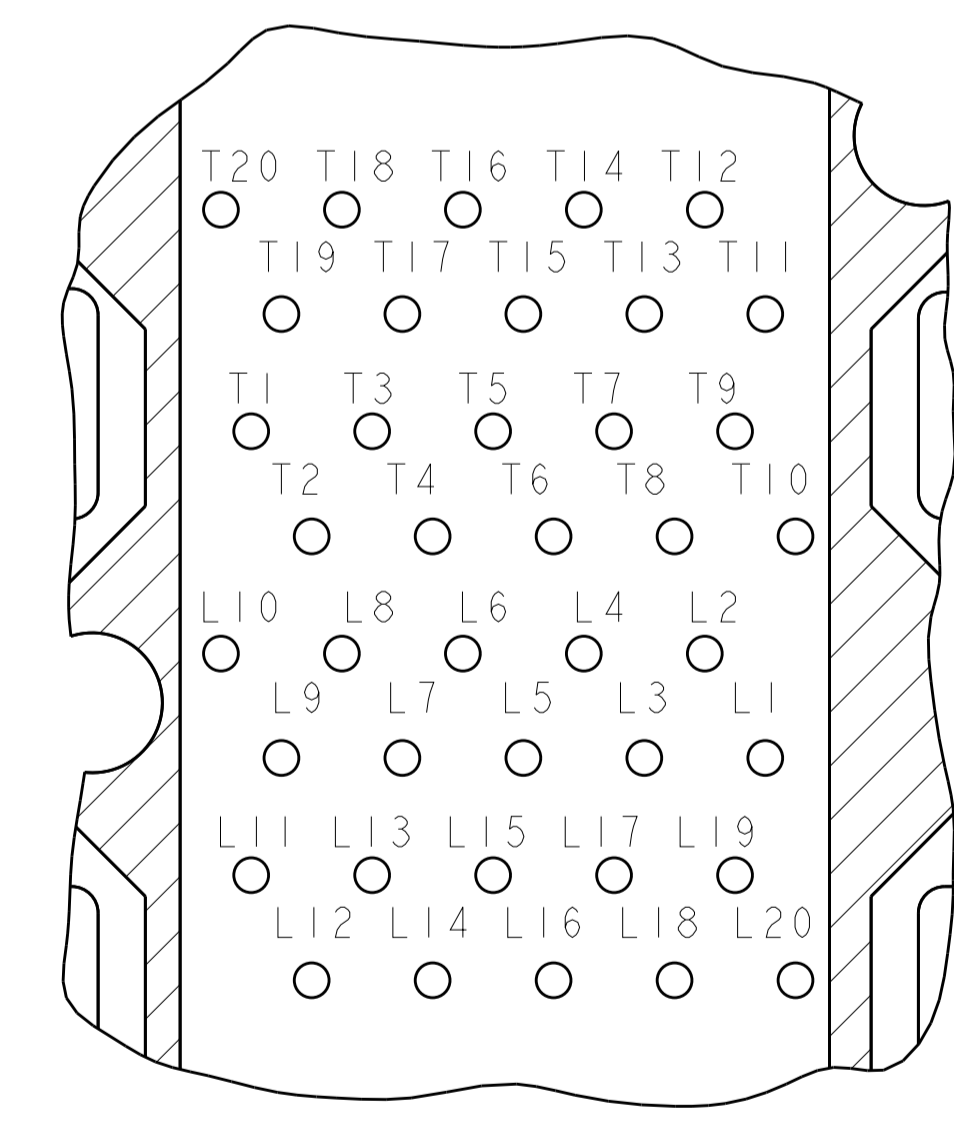
REVISIONS				
P.	LTN	DESCRIPTION	DATE	APP'D
-	-	SEE SHEET 1	-	-



RECOMMENDED PCB LAYOUT  
 COMPONENT SIDE OF BOARD  
 SCALE 5:1



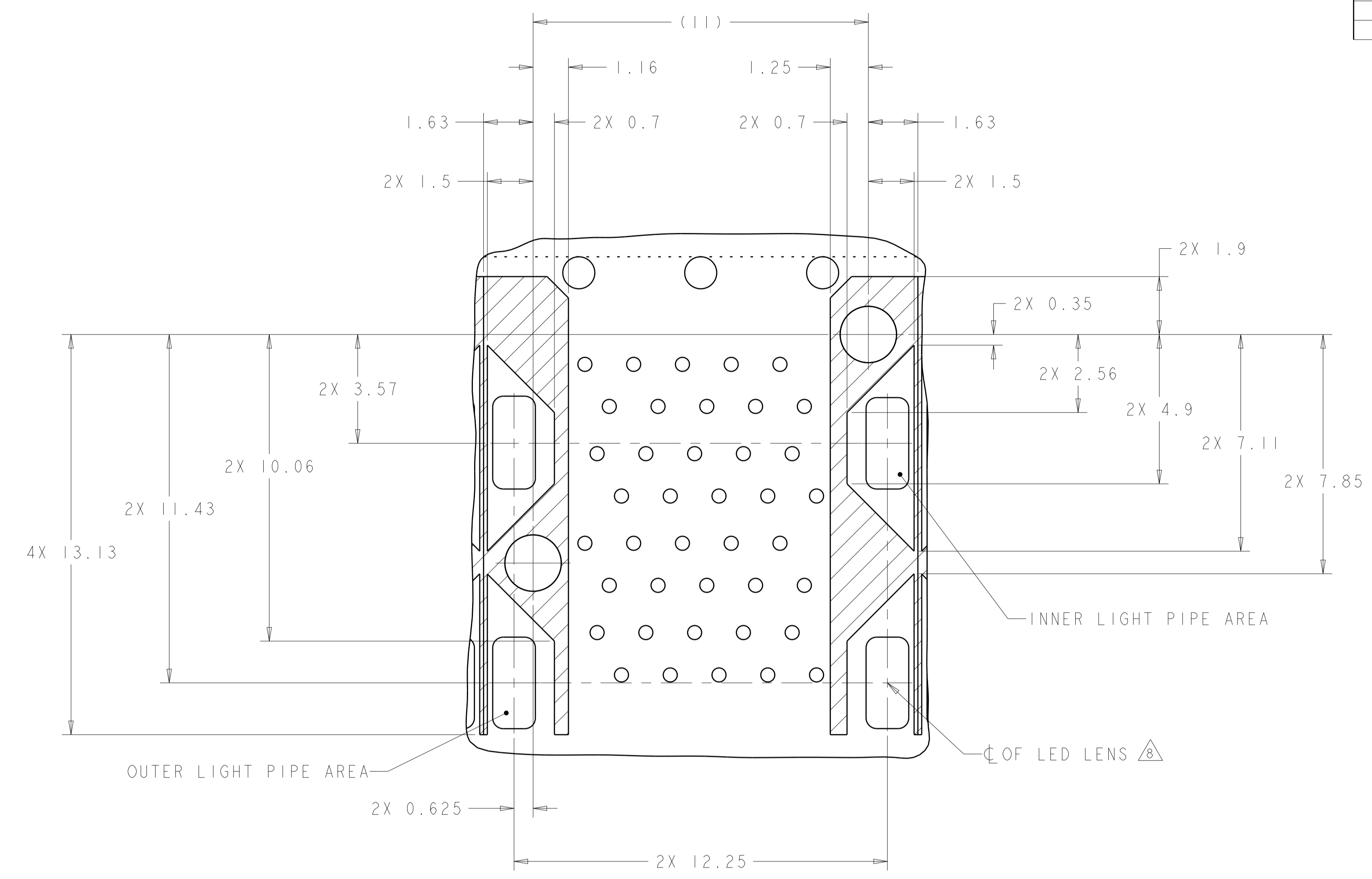
DETAIL F  
 4X INDIVIDUALLY  
 SCALE 10:1



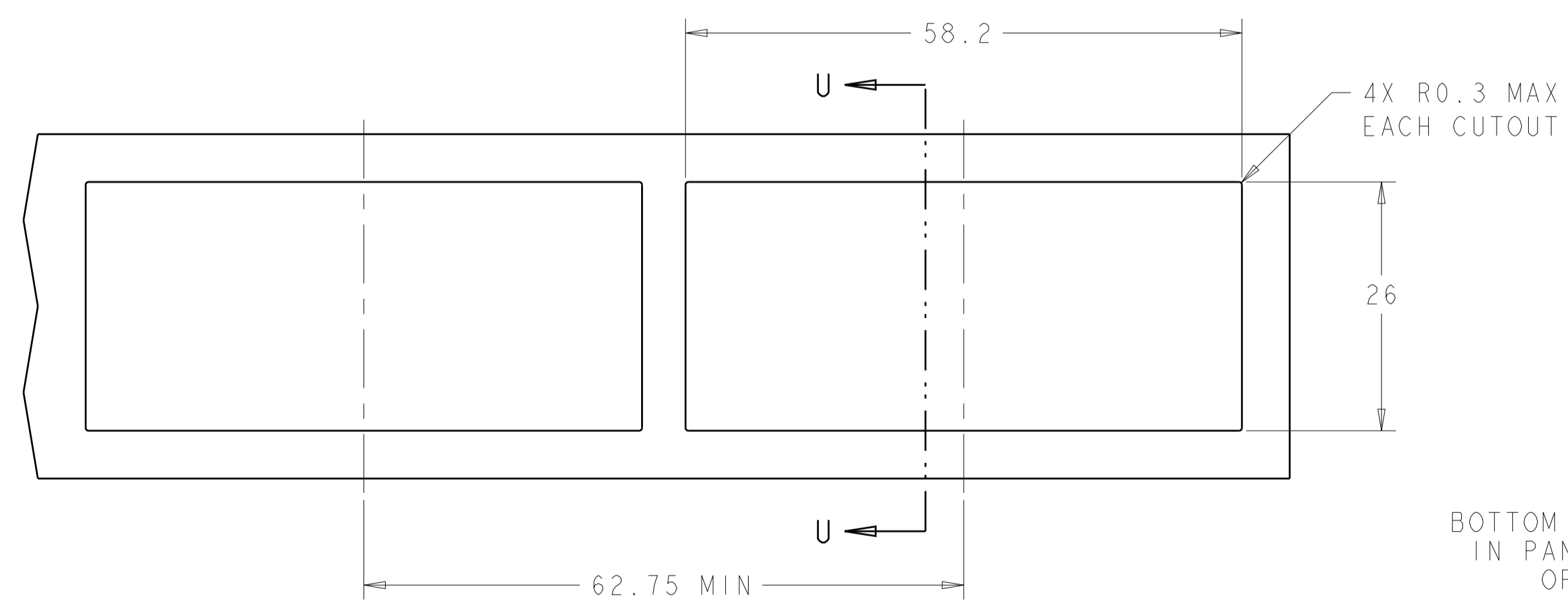
DETAIL H  
 CONNECTOR PIN-OUT  
 COMPONENT SIDE OF BOARD  
 SCALE 10:1

THIS DRAWING IS A CONTROLLED DOCUMENT.		OWN: M. SHIRK 10OCT2007	TE Connectivity
DIMENSIONS: mm		CHK: D. SZCZESNY 10OCT2007	
TOLERANCES UNLESS OTHERWISE SPECIFIED:		APVD: D. SZCZESNY 10OCT2007	NAME: CAGE AND PT CONNECTOR ASSEMBLY, WITH EMI GASKET, PRESS FIT, 2X4, STACKED SFP+
0 PLC ±0.10		PRODUCT SPEC: 108-2331	
1 PLC ±0.10		APPLICATION SPEC: 114-13219	SIZE: CAGE CODE DRAWING NO: A100779 WEIGHT: C=2007399
2 PLC ±0.10		WEIGHT: -	
3 PLC ±0.10		CUSTOMER DRAWING	SCALE: 4:1 SHEET 1 OF 4 REV: D1
4 PLC ±0.10			
ANGLES: ±°			
FINISH: -			

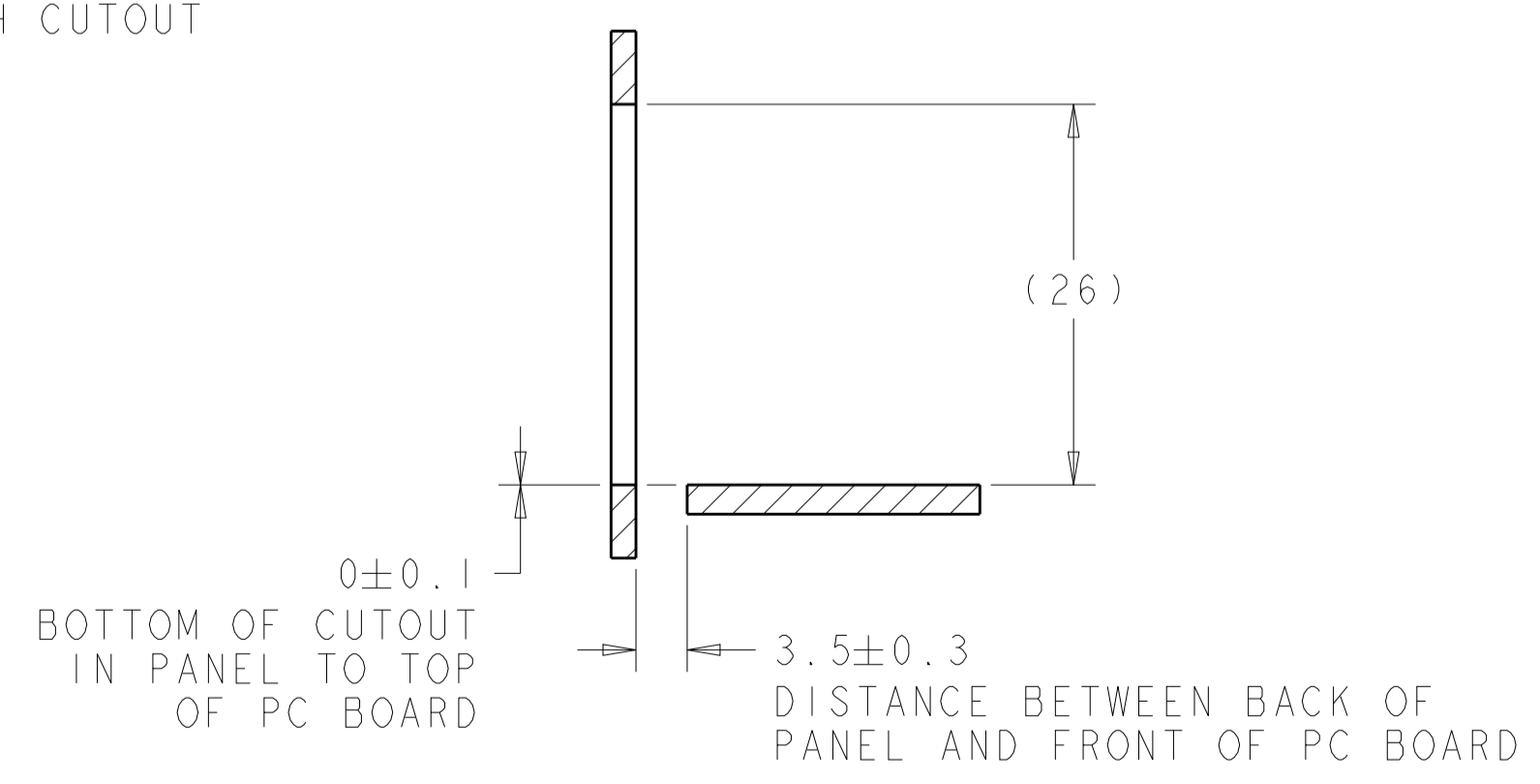
REVISIONS				
P.	LTN	DESCRIPTION	DATE	APVD
-	-	SEE SHEET 1	-	-



DETAIL G  
 CONNECTOR HOUSING  
 KEEPOUT ZONE  
 4X INDIVIDUALLY  
 SCALE 10:1



RECOMMENDED PANEL CUTOUT  
 AND PC BOARD, PANEL POSITION  
 SCALE 2:1



SECTION U-U

THIS DRAWING IS A CONTROLLED DOCUMENT.		DWN M. SHIRK 10OCT2007	TE Connectivity
DIMENSIONS:		CHK D. SZCZESNY 10OCT2007	
mm	TOLERANCES UNLESS OTHERWISE SPECIFIED:	APVD D. SZCZESNY 10OCT2007	NAME CAGE AND PT CONNECTOR ASSEMBLY, WITH EMI GASKET, PRESS FIT, 2X4, STACKED SFP+
0 PLC	±0.10	PRODUCT SPEC	SIZE 108-2331
2 PLC	±0.10	APPLICATION SPEC	RESTRICTED TO
3 PLC	±0.10	114-13219	A100779C=2007399
4 PLC	±0.10	WEIGHT	SCALE 4:1 SHEET 1 OF 4 REV D1
ANGLES	±°	CUSTOMER DRAWING	