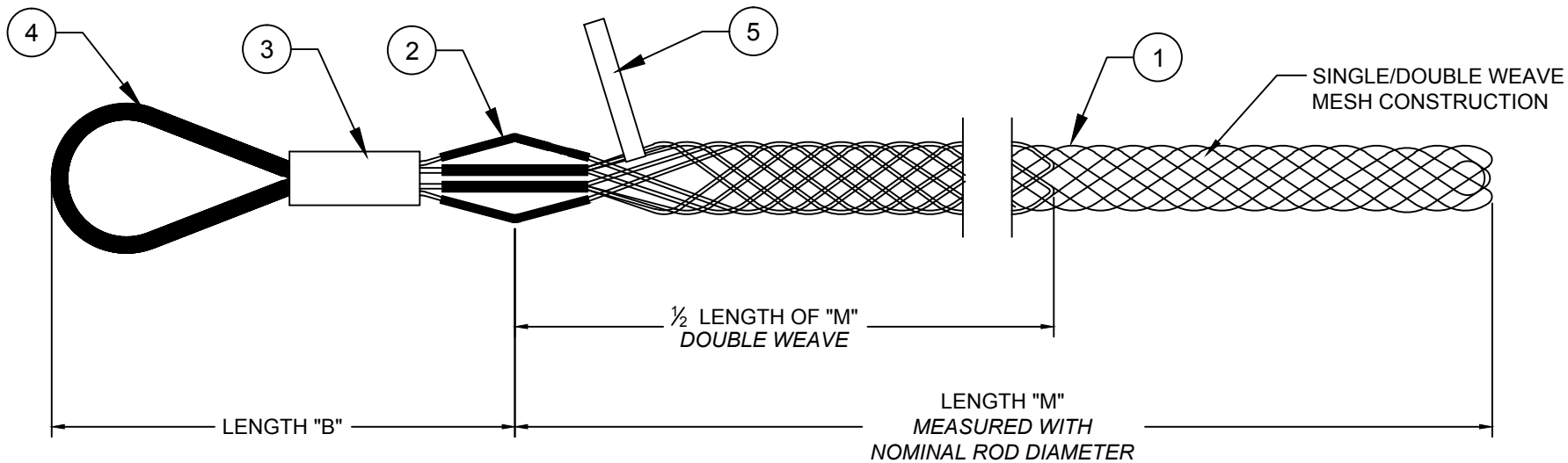


| CATALOG NUMBER | MATERIAL NUMBER | CABLE RANGE           | NOMINAL ROD DIAMETER | LENGTH "M"          | LENGTH "B"         | BREAK STRENGTH* (LBS/N) | UL LISTED | CSA APPROVED | PRODUCT SELECTION NUMBER |
|----------------|-----------------|-----------------------|----------------------|---------------------|--------------------|-------------------------|-----------|--------------|--------------------------|
| 35930          | 1300950165      | .37-.49 / 9.4-12.4    | .43 / 10.9           | 12.00±1.50 / 305±38 | 4.50±0.50 / 114±13 | 2500 / 11121            | NO        | YES          | PM037                    |
| 35931          | 1300950166      | .50-.74 / 12.7-18.8   | .62 / 15.7           | 14.00±1.50 / 356±38 | 5.00±0.50 / 127±13 | 3400 / 15124            |           |              | PM050                    |
| 35932          | 1300950167      | .75-.99 / 19.1-25.1   | .87 / 22.1           | 18.00±2.00 / 457±51 | 5.00±0.50 / 127±13 | 5500 / 24465            |           |              | PM075                    |
| 35933          | 1300950168      | 1.00-1.24 / 25.4-31.5 | 1.12 / 28.4          | 22.00±2.50 / 559±64 | 5.50±0.50 / 140±13 | 8100 / 36031            |           |              | PM100                    |
| 35934          | 1300950169      | 1.25-1.49 / 31.8-37.8 | 1.37 / 34.8          | 24.00±2.50 / 610±64 | 5.50±0.50 / 140±13 | 8100 / 36031            |           |              | PM125                    |
| 35935          | 1300950170      | 1.50-1.74 / 1.50-44.2 | 1.62 / 41.1          | 26.00±2.50 / 660±64 | 6.00±0.50 / 152±13 | 8100 / 36031            |           |              | PM150                    |

\*TO DETERMINE RECOMMENDED WORKING LOAD, DIVIDE BREAK STRENGTH BY 5.



| ITEM | DESCRIPTION        | MATERIAL         |
|------|--------------------|------------------|
| 1    | WIRE MESH          | GALVANIZED STEEL |
| 2    | SHOULDER PROTECTOR | NYLON            |
| 3    | FERRULE            | ALUMINUM         |
| 4    | BALE PROTECTOR     | POLYURETHANE     |
| 5    | LABEL              | MYLAR            |

|                           |                 |
|---------------------------|-----------------|
| RELEASE SALES DRAWING     | QUALITY SYMBOLS |
| EC NO: IPC2014-1487       | ▽=0             |
| DRWN: HRUIZ01 2014/05/13  | ▽C=0            |
| CHKD: HKNEELAN 2014/05/13 |                 |
| APPR: JFMURPHY 2014/10/14 |                 |
| REV                       |                 |
| A                         |                 |

| GENERAL TOLERANCES (UNLESS SPECIFIED)                |      |
|--|------|
|  | mm   |
| 4 PLACES   | ±--- |
| 3 PLACES   | ±--- |
| 2 PLACES   | ±.13 |
| 1 PLACE  | ±.25 |
| ANGULAR ±1/2°  |      |
| DRAFT WHERE APPLICABLE MUST REMAIN WITHIN DIMENSIONS |      |

| DIMENSION STYLE |            |
|-----------------|------------|
| INCH/MM         |            |
| DRAWN BY        | DATE       |
| HRUIZ01         | 2014/05/13 |
| CHECKED BY      | DATE       |
| HKNEELAN        | 2014/05/13 |
| APPROVED BY     | DATE       |
| JFMURPHY        | 2014/10/14 |
| MATERIAL NO.    | SEE TABLE  |
| SIZE            | A          |

| SCALE   | DESIGN UNITS  | THIRD ANGLE PROJECTION |
|---|---------------|------------------------|
| NTS   | INCH          | ☉                      |
| TITLE   |               |                        |
| PULLING GRIPS   |               |                        |
| MEDIUM DUTY SHORT LENGTH  |               |                        |
| FLEXIBLE EYE  |               |                        |
| Molex MOLEX INCORPORATED  |               |                        |
| MATERIAL NO.  | DOCUMENT NO.  | SHEET NO.              |
| SEE TABLE   | SD-130095-102 | 1 OF 1                 |
| THIS DRAWING CONTAINS INFORMATION THAT IS PROPRIETARY TO MOLEX INCORPORATED AND SHOULD NOT BE USED WITHOUT WRITTEN PERMISSION |               |                        |