



AMP-LATCH

TE Internal #: 3-1437020-7

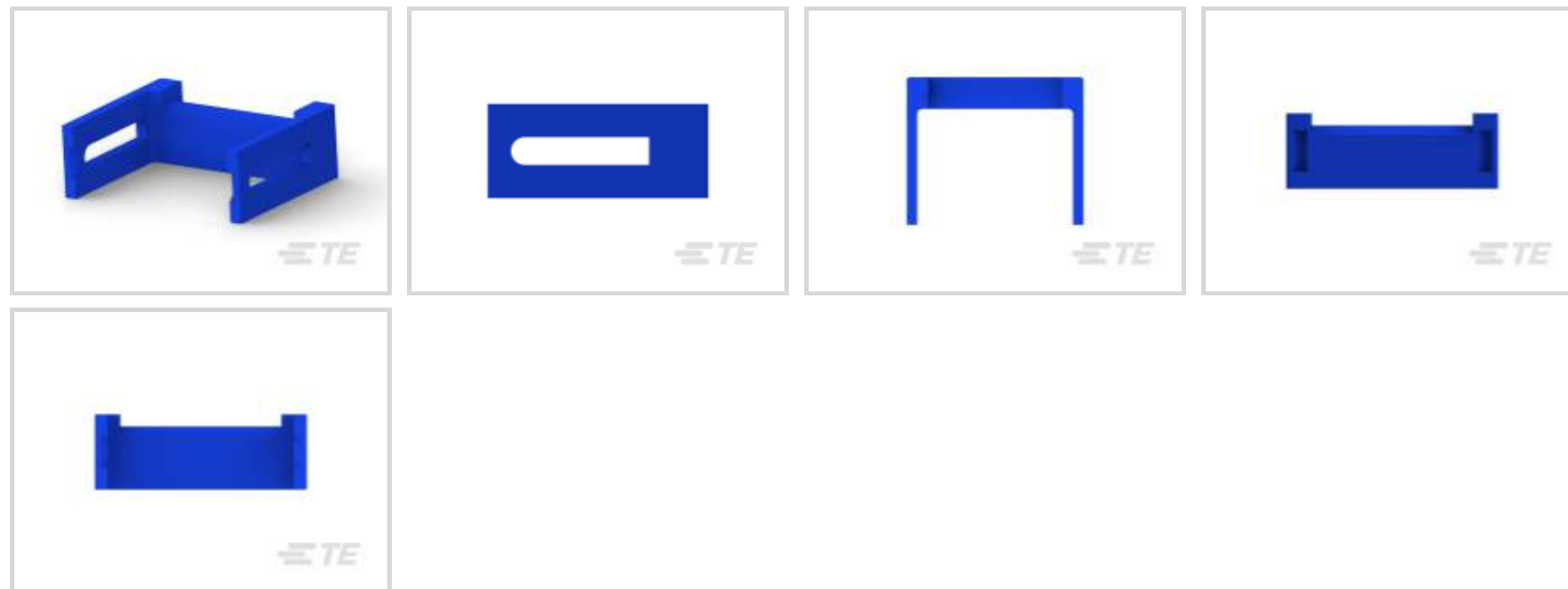
TE Internal Description: 609-1031HD=FSKT IDC S 10 SR

Female Socket Connectors: Strain Relief

[View on TE.com >](#)

Connectors > PCB Connectors > Wire-to-Board Connectors > FFC, FPC & Ribbon Connectors > Ribbon Connector Accessories >

Female Socket Connectors: Strain Relief



Flat Flexible Cable Accessory Type: **Strain Relief Cover**

Number of Positions: **10**

[All Female Socket Connectors: Strain Relief \(14\)](#)

## Features

### Product Type Features

Flat Flexible Cable Accessory Type	Strain Relief Cover
------------------------------------	---------------------

### Configuration Features

Number of Positions	10
---------------------	----

### Body Features

Primary Product Material	Glass-Filled Thermoplastic
--------------------------	----------------------------

Primary Product Color	Blue
-----------------------	------

### Dimensions

Product Length	17.37 mm
----------------	----------

### Industry Standards

UL Flammability Rating	UL 94V-0
------------------------	----------

### Packaging Features

Packaging Quantity	50
--------------------	----

Packaging Method	Package
------------------	---------

### Other



Connector Accessory Comment	Female Socket Connector
-----------------------------	-------------------------

### Product Compliance

[For compliance documentation, visit the product page on TE.com>](#)

EU RoHS Directive 2011/65/EU	Compliant
EU ELV Directive 2000/53/EC	Compliant
China RoHS 2 Directive MIIT Order No 32, 2016	No Restricted Materials Above Threshold
EU REACH Regulation (EC) No. 1907/2006	Current ECHA Candidate List: JUNE 2023 (235) Candidate List Declared Against: JAN 2023 (233) Does not contain REACH SVHC
Halogen Content	Not Low Halogen - contains Br or Cl > 900 ppm.
Solder Process Capability	Not applicable for solder process capability

#### Product Compliance Disclaimer

This information is provided based on reasonable inquiry of our suppliers and represents our current actual knowledge based on the information they provided. This information is subject to change. The part numbers that TE has identified as EU RoHS compliant have a maximum concentration of 0.1% by weight in homogenous materials for lead, hexavalent chromium, mercury, PBB, PBDE, DBP, BBP, DEHP, DIBP, and 0.01% for cadmium, or qualify for an exemption to these limits as defined in the Annexes of Directive 2011/65/EU (RoHS2). Finished electrical and electronic equipment products will be CE marked as required by Directive 2011/65/EU. Components may not be CE marked. Additionally, the part numbers that TE has identified as EU ELV compliant have a maximum concentration of 0.1% by weight in homogenous materials for lead, hexavalent chromium, and mercury, and 0.01% for cadmium, or qualify for an exemption to these limits as defined in the Annexes of Directive 2000/53/EC (ELV). Regarding the REACH Regulation, the information TE provides on SVHC in articles for this part number is based on the latest European Chemicals Agency (ECHA) 'Guidance on requirements for substances in articles' posted at this URL: <https://echa.europa.eu/guidance-documents/guidance-on-reach>

### Compatible Parts



TE Part # CAT-AM74-UN384H  
AMP-LATCH UNIVERSAL HEADERS



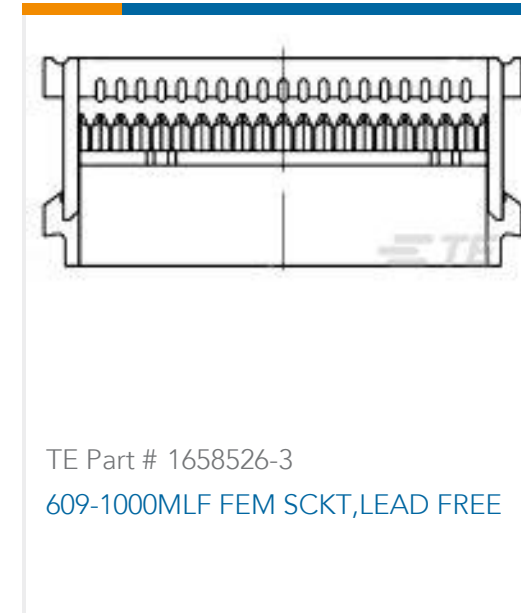
TE Part # 1-111446-4  
10 UNIV I/O, NO EARS, LEAD FREE



TE Part # 1-111504-4  
10 UNIV I/O, NO EARS, LEAD FREE

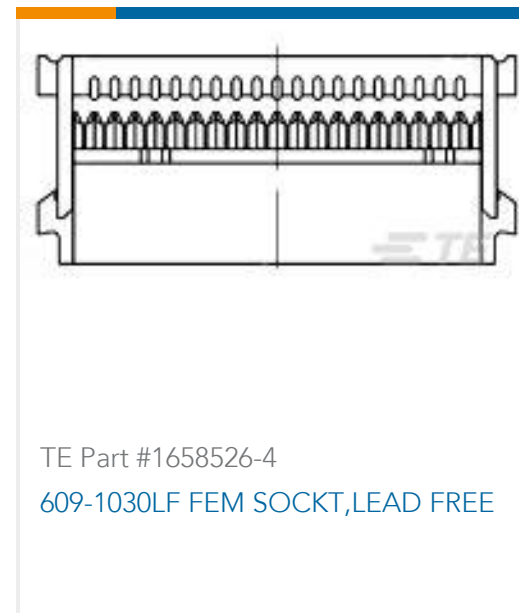


TE Part # 2-1761605-3  
IDC LOW PRO HDR 10P RA BLUE



## Customers Also Bought





## Documents

### Product Drawings

[609-1031HD=FSKT IDC S 10 SR](#)

English

### CAD Files

[3D PDF](#)

3D

Customer View Model

[ENG\\_CVM\\_CVM\\_3-1437020-7\\_C.2d\\_dxf.zip](#)

English

Customer View Model

[ENG\\_CVM\\_CVM\\_3-1437020-7\\_C.3d\\_igs.zip](#)

English

Customer View Model

[ENG\\_CVM\\_CVM\\_3-1437020-7\\_C.3d\\_stp.zip](#)

English

By downloading the CAD file I accept and agree to the [Terms and Conditions](#) of use.

### Datasheets & Catalog Pages

[Ribbon Cable Interconnect Solutions](#)

English

### Product Specifications

[Product Specification](#)

English

[Female Socket Connector](#)

English

### Product Environmental Compliance

[Product Compliance](#)

English

[Product Compliance](#)

English