

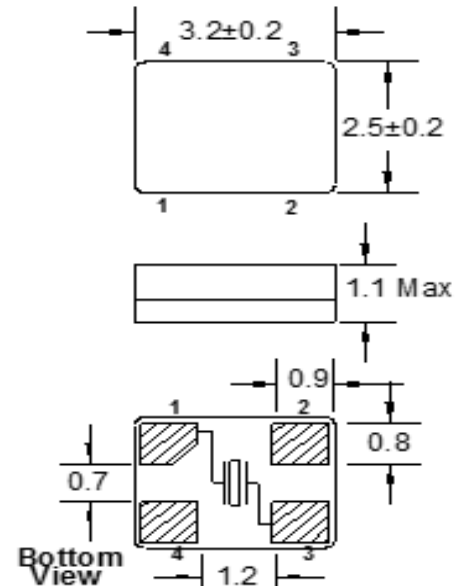
### Features

- Tolerances down to  $\pm 20$  PPM
- Stabilities down to  $\pm 10$  PPM

STANDARD SPECIFICATIONS	
PARAMETERS	MAX (Unless otherwise noted)
Frequency Range	12.000 ~ 50.000 MHz
Frequency Tolerance @ 25°C	(See options below)
Frequency Stability, ref 25°C	
Over Operating Temp Range	(See options below)
Temperature Range	
Operating ( $T_{OPR}$ )	(See options below)
Storage ( $T_{STG}$ )	-55°C ~ +125°C
Shunt Capacitance ( $C_0$ )	3 pF
Load Capacitance ( $C_L$ )	(See options below)
Drive Level	100 $\mu$ W
Aging per year (@ 25°C)	$\pm 5$ PPM
Maximum Soldering Temp / Time	260°C / 10 Seconds
Moisture Sensitivity Level (MSL) per J-STD-033	1
Termination Finish	Ag
Seal Method	Resin
Lead (Pb) Free	YES
RoHS Compliant	YES

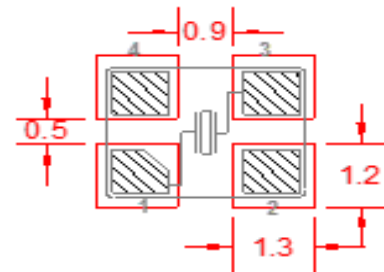
Frequency Range (MHz)	Operating Mode	Max ESR $\Omega$
12.000 ~ 15.999999	Fundamental	120
16.000 ~ 20.000	Fundamental	100
20.000001 ~ 25.000	Fundamental	80
25.000001 ~ 30.000	Fundamental	60
30.000001 ~ 50.000	Fundamental	50

### DIMENSIONS / MECHANICAL SPECIFICATIONS



Chamfer may be on pad 1 of pad 3

#### Recommended Solder Pad Layout



Note: Dimensional drawing is for reference to critical specifications defined by size measurements. Certain non-critical visual attributes, such as side castellations, cover shape, etc. may vary.

### AVAILABLE OPERATING TEMPERATURES AND STABILITIES\*

Operating Temperature	$\pm 10$ PPM	$\pm 15$ PPM	$\pm 20$ PPM	$\pm 25$ PPM	$\pm 30$ PPM	$\pm 50$ PPM
-10°C ~ +70°C	O	O	O	O	O	O
-20°C ~ +70°C	O	O	O	O	O	O
-40°C ~ +85°C	X	X	X	X	O	O

Key: O = Available, X = Not Available,  $\Delta$  = Consult Fox Technical Support \*Does not imply a stocked part.

# FC3BQ

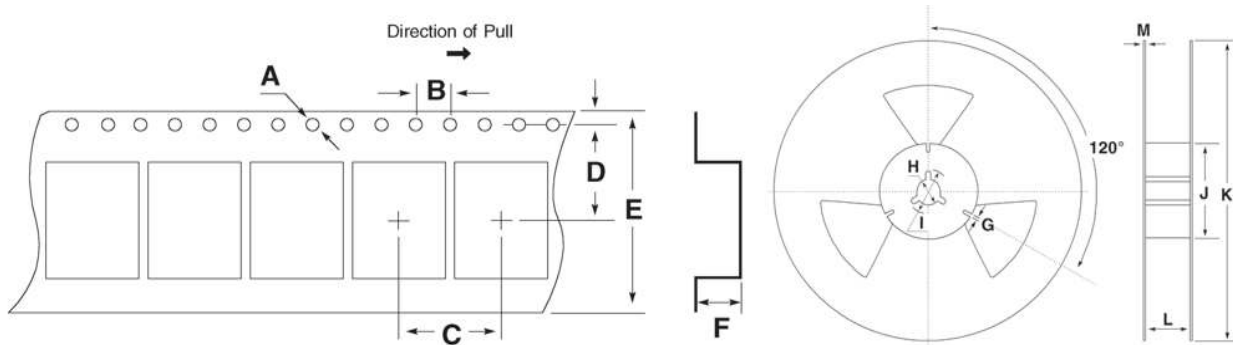
(Former FQ3225B)

3.2mm x 2.5mm

SMD Crystal



TAPE SPECIFICATIONS (mm)							REEL SPECIFICATIONS (mm)						
A	B	C	D	E	F	REEL QTY	G	H	I	J	K	L	M
ø1.5	4.0	4.0	3.5	8.0	1.25	-T3 = 3,000	2.0	ø13	ø21	ø62	ø178	9.0	1.2



## Available Options & Part Identification for SMD Crystal FC3BQ<sup>1</sup>

Sample PN: **FC3BQBBME25.0-T3**

F	C3BQ	B	B	M	E	25.0	-T3
<b>Fox</b>	<b>Model Number</b>	<b>Tolerance</b>	<b>Stability</b>	<b>Load Capacitance<sup>2</sup></b>	<b>Operating Temperature</b>	<b>Frequency (MHz)</b>	<b>Values Added Options</b>
		B = ±50 PPM C = ±30 PPM D = ±25 PPM E = ±20 PPM	B = ±50 PPM C = ±30 PPM D = ±25 PPM E = ±20 PPM F = ±15 PPM H = ±10 PPM	V = 7pF D = 8pF E = 10pF G = 12pF K = 16pF M = 20pF	E = -10 to +70°C F = -20 to +70°C M = -40 to +85°C		Blank = Bulk T3 = 3,000 pcs

1 Not all frequency, tolerance, stability, load, and operating temperature combinations may be available.

2 Listed load capacitances represent the most commonly used. Other load capacitances are available. Contact us for assistance

### Reliability Test Conditions

Please contact Abracon Quality Assurance department