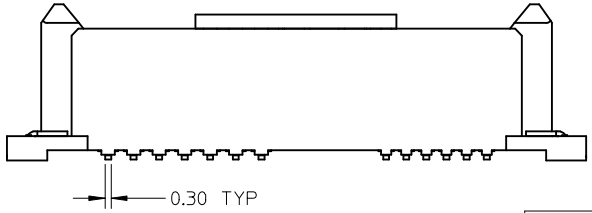
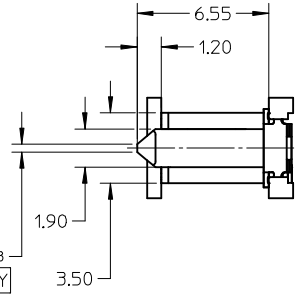
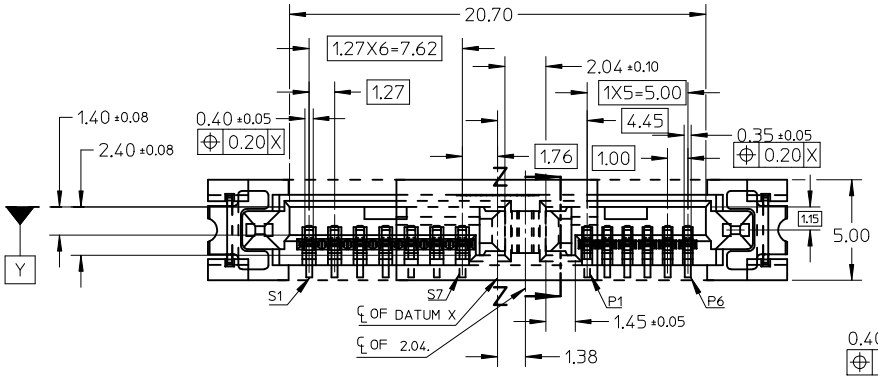


SECTION Z-Z

- NOTES :
- MATERIAL :
HOUSING : HIGH TEMPERATURE THERMOPLASTIC, UL94V-0, 30% G.F., BLACK.
TERMINAL : COPPER ALLOY
FITTING NAIL : COPPER ALLOY
COVER CAP:HIGH TEMPERATURE THERMOPLASTIC, UL94V-0, 30% G.F., BLACK.
 - PLATING :
TERMINAL :
CONTACT AREA :SEE TABLE.
SOLDER AREA : TIN PLATING.
UNDERPLATING : NICKEL PLATING.
FITTING NAIL :
TIN PLATING 1.0 MICRONS MIN. OVER NICKEL PLATING 1.0 MICRONS MIN.
 - FOR P1 PIN ONLY.
 - FOR ALL OTHER PINS.
 - PRODUCT SPECIFICATION:PER PS-47650-001.
 - PRODUCT PACKAGE:PER PK-47650-001.
 - TERMINAL AND NAIL COPLANARITY TO BE 0.15MAX.
 - THE PRODUCT COMPLIANT TO RoHS DIRECTIVE 2002/95/EC AND 2000/53/EC.



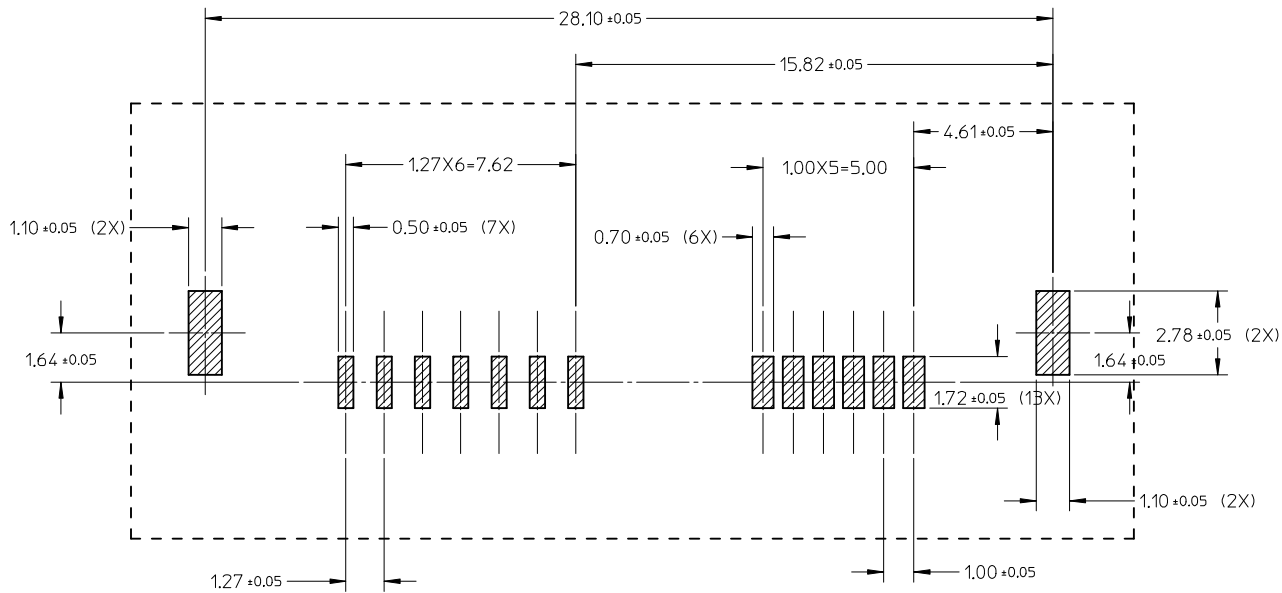
TABLE

P/N	CONTACT AREA PLATING
47650-0001	0.1 MICRON MIN. GOLD
47650-0002	0.38 MICRON MIN. GOLD

UPDATE DRAWING	DRWN:XJ SONG 2009/06/01	DESCRIPTION
EC NO: SH2009-0756	CHKD:XJ SONG 2009/06/02	REV
	APPR:HWANG 2009/06/30	

QUALITY SYMBOLS	▽=0
	∇=0
GENERAL TOLERANCES (UNLESS SPECIFIED)	mm
	INCH
	4 PLACES ± --- ± ---
	3 PLACES ± --- ± ---
	2 PLACES ± 0.15 ± ---
1 PLACE ± 0.20 ± ---	
ANGULAR ± 2 °	
DRAFT WHERE APPLICABLE MUST REMAIN WITHIN DIMENSIONS	

DIMENSION STYLE		SCALE	DESIGN UNITS	THIRD ANGLE PROJECTION
MM ONLY		4:1	METRIC	
DRAWN BY	DATE	TITLE		
LSONG	2008-2-16	SLIMLINE SATA RECEPTACLE CONNECTOR		
CHECKED BY	DATE	MOLEX INCORPORATED		
JTIAN	2008-2-16	SD-47650-001		
APPROVED BY	DATE	SHEET NO.		
HWANG	2008-2-16	1 OF 2		
MATERIAL NO.	SEE TABLE	THIS DRAWING CONTAINS INFORMATION THAT IS PROPRIETARY TO MOLEX INCORPORATED AND SHOULD NOT BE USED WITHOUT WRITTEN PERMISSION		



RECOMMENDED PCB LAYOUT DIMENSION

SEE SHEET 1	EC NO: SH2009-0756	2009/06/01	QUALITY SYMBOLS =0 =0	GENERAL TOLERANCES (UNLESS SPECIFIED)		DIMENSION STYLE MM ONLY		SCALE 6:1	DESIGN UNITS METRIC	THIRD ANGLE PROJECTION		
	DRWN: XJSONG	2009/06/01		4 PLACES	± ---	± ---	DRAWN BY	DATE	TITLE SLIMLINE SATA RECEPTACLE CONNECTOR			
	CHKD: XJSONG	2009/06/02		3 PLACES	± ---	± ---	CHECKED BY	DATE				
	APPR: HWANG	2009/06/30		2 PLACES	± 0.15	± ---	APPROVED BY	DATE	MOLEX INCORPORATED			
		1 PLACE	± 0.20	± ---	DATE	2008-2-16	MATERIAL NO. SEE SHEET 1					
			ANGULAR ± 2 °		DRAFT WHERE APPLICABLE MUST REMAIN WITHIN DIMENSIONS		THIS DRAWING CONTAINS INFORMATION THAT IS PROPRIETARY TO MOLEX INCORPORATED AND SHOULD NOT BE USED WITHOUT WRITTEN PERMISSION					