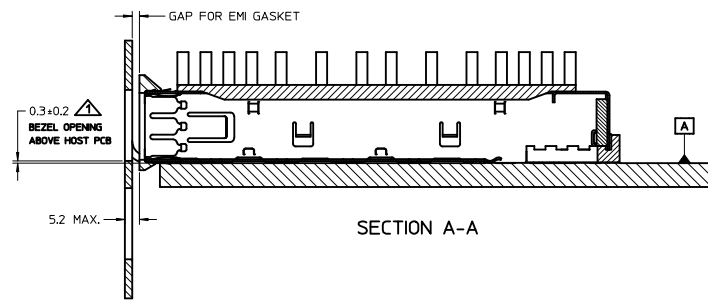
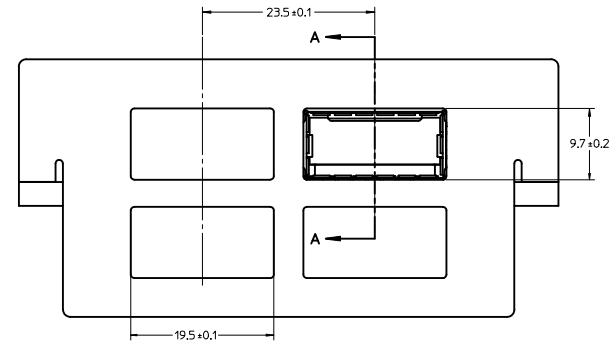
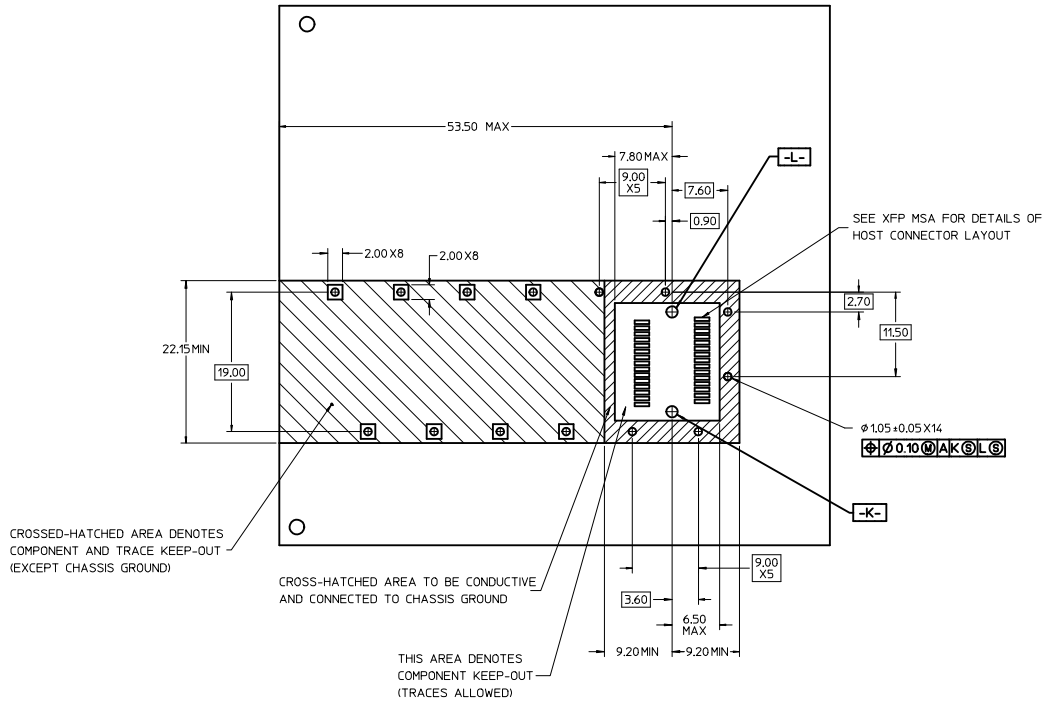


1. PRESS FIT LEGS 2.28mm [0.090"]
2. SINGLE SIDED BOARD THICKNESS  
 NOMINAL: 1.60 [0.062"]  
 MINIMUM: 1.44 [0.057"]  
 BELLY TO BELLY BOARD THICKNESS  
 NOMINAL: 2.30 [0.090"]  
 MINIMUM: 2.07 [0.081"]
3. REFERENCE DOCUMENTS:  
 PRODUCT SPECIFICATION: XFP MSA
4. THIS PRODUCT MEETS THE RESTRICTION OF HAZARDOUS SUBSTANCES IN ELECTRICAL AND ELECTRONIC EQUIPMENT (RoHS) DIRECTIVE (2009/95/EC).

<b>ADDED NOTE PG 2</b> EC NO: USY2011-0301 DRAWN: JERWIN 2010/03/10 CHECKED: CHRISCHY APPROVED: RAHMOOD 2010/11/23	QUALITY SYMBOLS	GENERAL TOLERANCES (UNLESS SPECIFIED)	DIMENSION STYLE	SCALE	DESIGN UNITS	THIRD ANGLE PROJECTION															
	▼=0 ▽=0	<table border="1"> <thead> <tr> <th></th> <th>mm</th> <th>INCH</th> </tr> </thead> <tbody> <tr> <td>4 PLACES</td> <td>±.005</td> <td>±.0005</td> </tr> <tr> <td>3 PLACES</td> <td>±.008</td> <td>±.0008</td> </tr> <tr> <td>2 PLACES</td> <td>±.010</td> <td>±.0010</td> </tr> <tr> <td>1 PLACE</td> <td>±.025</td> <td>±.0025</td> </tr> </tbody> </table> ANGULAR ± 1°		mm	INCH	4 PLACES	±.005	±.0005	3 PLACES	±.008	±.0008	2 PLACES	±.010	±.0010	1 PLACE	±.025	±.0025	MM ONLY DRAWN BY: JERWIN DATE: 2008/09/10 CHECKED BY: CHRISCHY DATE: 2008/08/10 APPROVED BY: RAHMOOD DATE: 2010/11/23	3:1	METRIC	TITLE: XFP CAGE ASSEMBLY W/ INSULATING TAPE MOLEX INCORPORATED
		mm	INCH																		
	4 PLACES	±.005	±.0005																		
3 PLACES	±.008	±.0008																			
2 PLACES	±.010	±.0010																			
1 PLACE	±.025	±.0025																			
DRAFT WHERE APPLICABLE MUST REMAIN WITHIN DIMENSIONS	MATERIAL NO. 747360451 SIZE D	DOCUMENT NO. SD-74736-0451	SHEET NO. 1 OF 3																		



△ FOR PCI APPLICATIONS RECOMMENDED DIMENSION IS 0.4 ± 0.1

<b>ADDED NOTE PG 2</b> EC NO: USY2011-0301 DRAWN: JERWIN 2010/03/01 CHKD: CHIRSCHY APPR: RAHMOOD 2010/11/23	QUALITY SYMBOLS	GENERAL TOLERANCES (UNLESS SPECIFIED)	DIMENSION STYLE	SCALE	DESIGN UNITS	THIRD ANGLE PROJECTION
	▽=0 ▽=0	mm INCH 4 PLACES ± --- ± --- 3 PLACES ± --- ± --- 2 PLACES ± 0.10 ± --- 1 PLACE ± 0.25 ± --- ANGULAR ± 1°	MM ONLY	3:1	METRIC	TITLE: XFP CAGE ASSEMBLY W/ INSULATING TAPE MATERIAL NO: 747360451 DOCUMENT NO: SD-74736-0451
	DRAFT WHERE APPLICABLE MUST REMAIN WITHIN DIMENSIONS	DRAWN BY: JERWIN CHECKED BY: CHIRSCHY APPROVED BY: RAHMOOD	DATE: 2008/09/10 DATE: 2008/08/10 DATE: 2010/11/23	MOLEX INCORPORATED	SHEET NO: 2 OF 3	
	THIS DRAWING CONTAINS INFORMATION THAT IS PROPRIETARY TO MOLEX INCORPORATED AND SHOULD NOT BE USED WITHOUT WRITTEN PERMISSION					

DATE	REV	DESCRIPTION
2008/09/10	A	1. INITIAL RELEASE
2009/05/07	B	1. REMOVED ISO VIEW FROM PAGE 1
		2. ADDED NOTES TO PAGE 1
		3. REMOVED NOTE 2 FROM PAGE 2
		4. REMOVED NOTE 3 FROM PAGE 1 AND RENUMBERED REMAINING NOTES
2010/03/01	C	1. ADDED NOTE - THIS AREA DENOTES COMPONENT KEEP-OUT (TRACES ALLOWED) PAGE 2.

<b>REMOVED ISO VIEW</b> IEC NO. USY2011-0301 DRAWN: JERWIN 2010/03/01 CHECKED: CHYKX/CHRSCHY APPROVED: RMAHMOOD 2010/11/23	QUALITY SYMBOLS	GENERAL TOLERANCES (UNLESS SPECIFIED)	DIMENSION STYLE	SCALE	DESIGN UNITS	THIRD ANGLE PROJECTION															
	▽=0 ▽=0	<table border="1"> <thead> <tr> <th></th> <th>mm</th> <th>INCH</th> </tr> </thead> <tbody> <tr> <td>4 PLACES</td> <td>±---</td> <td>±---</td> </tr> <tr> <td>3 PLACES</td> <td>±---</td> <td>±---</td> </tr> <tr> <td>2 PLACES</td> <td>±0.10</td> <td>±---</td> </tr> <tr> <td>1 PLACE</td> <td>±0.25</td> <td>±---</td> </tr> </tbody> </table> ANGULAR ± 1°		mm	INCH	4 PLACES	±---	±---	3 PLACES	±---	±---	2 PLACES	±0.10	±---	1 PLACE	±0.25	±---	MM ONLY DRAWN BY: JERWIN DATE: 2008/09/10 CHECKED BY: CHRSCHY DATE: 2008/08/10 APPROVED BY: RMAHMOOD DATE: 2010/11/23	1:1	METRIC	TITLE: XFP CAGE ASSEMBLY W/ INSULATING TAPE Molex MOLEX INCORPORATED
		mm	INCH																		
	4 PLACES	±---	±---																		
3 PLACES	±---	±---																			
2 PLACES	±0.10	±---																			
1 PLACE	±0.25	±---																			
DRAFT WHERE APPLICABLE MUST REMAIN WITHIN DIMENSIONS	MATERIAL NO. 747360451 SIZE D	DOCUMENT NO. SD-74736-0451 SHEET NO. 3 OF 3																			
THIS DRAWING CONTAINS INFORMATION THAT IS PROPRIETARY TO MOLEX INCORPORATED AND SHOULD NOT BE USED WITHOUT WRITTEN PERMISSION																					