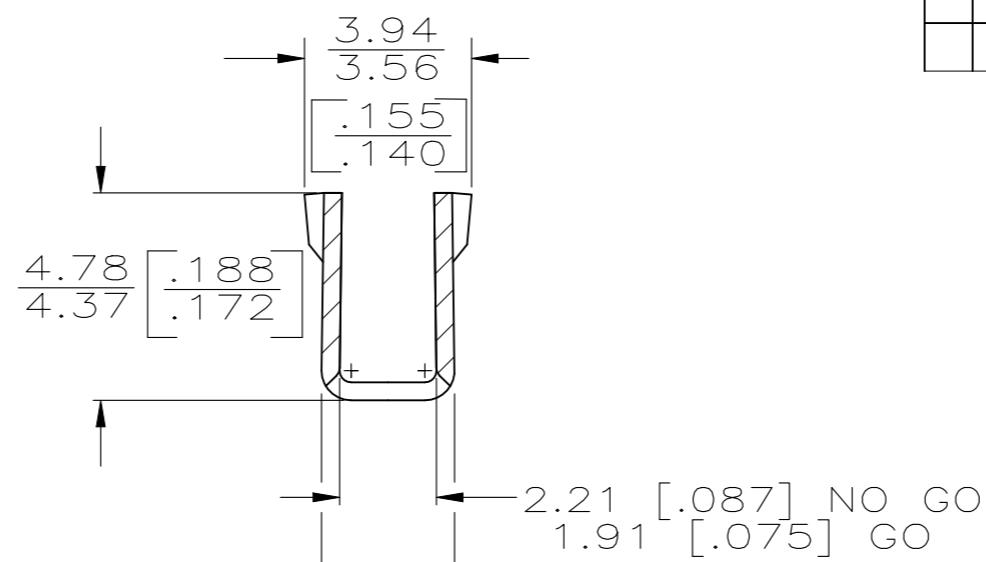
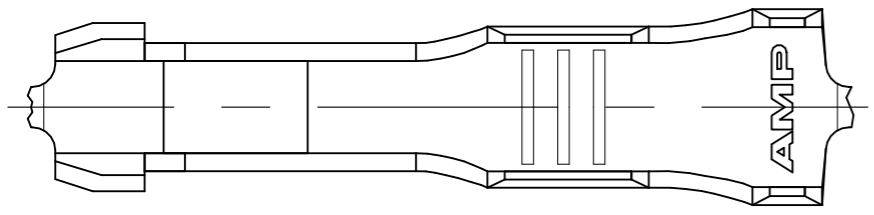
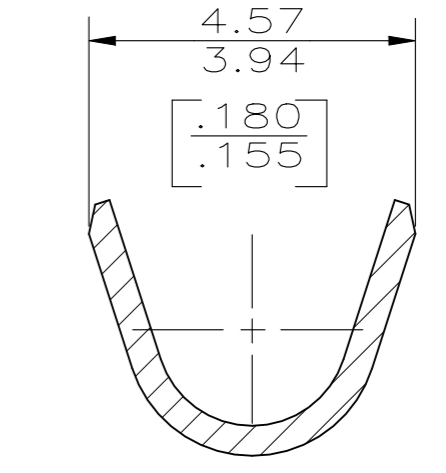
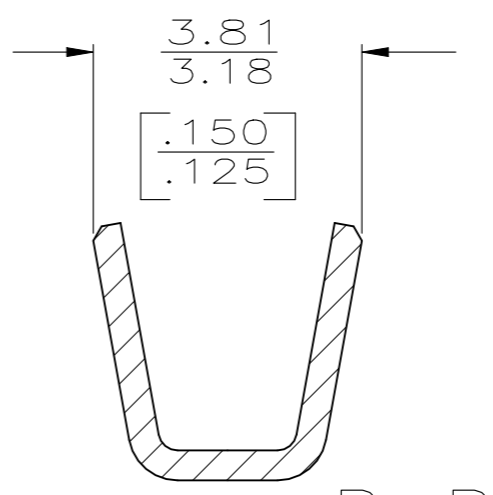
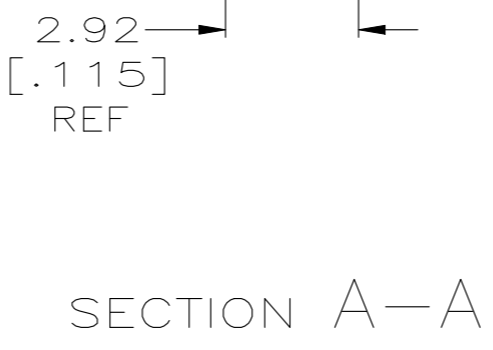
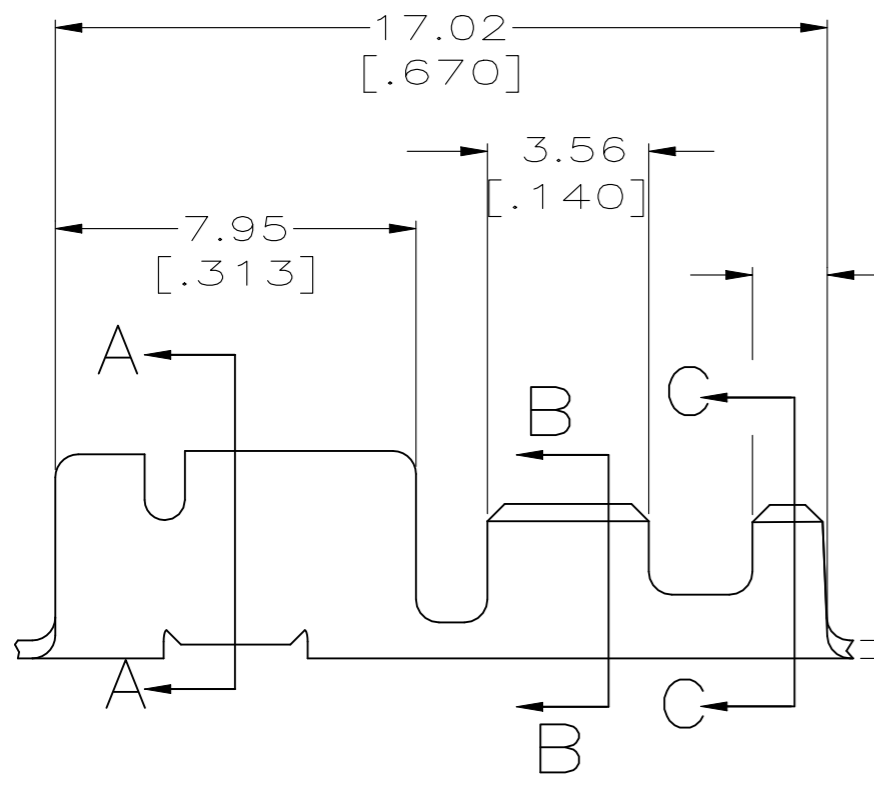


THIS DRAWING IS UNPUBLISHED. RELEASED FOR PUBLICATION
 © COPYRIGHT - By - ALL RIGHTS RESERVED.

P	LTR	DESCRIPTION	DATE	DWN	APVD
	AC	62131-9 PART ADDED	22FEB2021	MB	TD



- REVISIONS
- 1 CONTINUOUS STRIP ON REEL.
 - 2 WIRE SIZE IS 0.82-1.31MM² [#18-#16 AWG].
 - 3 INSULATION RANGE IS 1.50-2.62 [.059-.103] DIA.
 - 4 ADDITIONAL PERFORMANCE REQUIREMENTS APPLY. CONSULT TE PRODUCT ENGINEERING FOR SPECIFICS.
 - 5 OBSOLETE PARTS: OBSOLETE CIS STREAMLINING PER D.RENAUD/D.SINISI
 - 6 QTY/REEL : 8500 PCS
 - 7 QTY/REEL : 17000 PCS



SECTION B-B
SCALE 10:1

SECTION C-C
SCALE 10:1

0.406±0.025
[.016±.001]

5 OBSOLETE

MATERIAL	FINISH	PART NO
H03 TIN-BRASS.	POST TIN PLATED	7 62131-9
H03 TIN-BRASS.	POST TIN PLATED	6 6-62131-3
H03 TIN-BRASS.	-	6 62131-8
COPPER ALLOY	POST TIN PLATED	4 62131-7
H03 PHOS BRONZE	POST TIN PLATED	4 7 62131-6
H03 TIN-BRASS.	-	7 62131-5
H03 TIN-BRASS.	POST TIN PLATED	7 62131-3

THIS DRAWING IS A CONTROLLED DOCUMENT.		DWN 20/JAN/95 PHILLIP M FORTNEY		TE Connectivity	
		CHK 20/JAN/95 JEFF R RUTH			
APVD 20JAN95 R KUZO		NAME		RECEPTACLE, CLUSTER PIN, 2.29 [.090] DIA	
PRODUCT SPEC 108-2008					
APPLICATION SPEC 114-2019		SIZE	CAGE CODE	DRAWING NO	RESTRICTED TO
MATERIAL SEE TABLE		WEIGHT -		A3 00779	C-62131
DIMENSIONS: mm [INCHES]		TOLERANCES UNLESS OTHERWISE SPECIFIED:		SCALE 4:1	
0 PLC ± - 1 PLC ± - 2 PLC ± 0.25 [.010] 3 PLC ± - 4 PLC ± - ANGLES ± -		FINISH SEE TABLE		SHEET 1 OF 1	
		CUSTOMER DRAWING		REV AC	