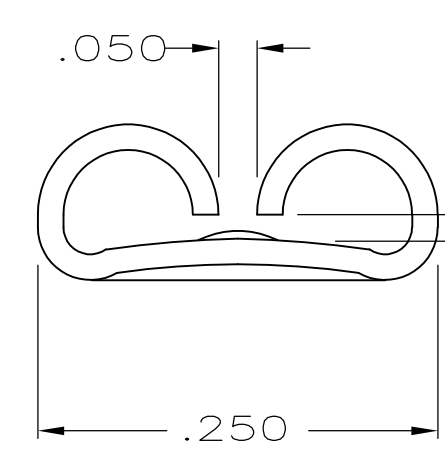
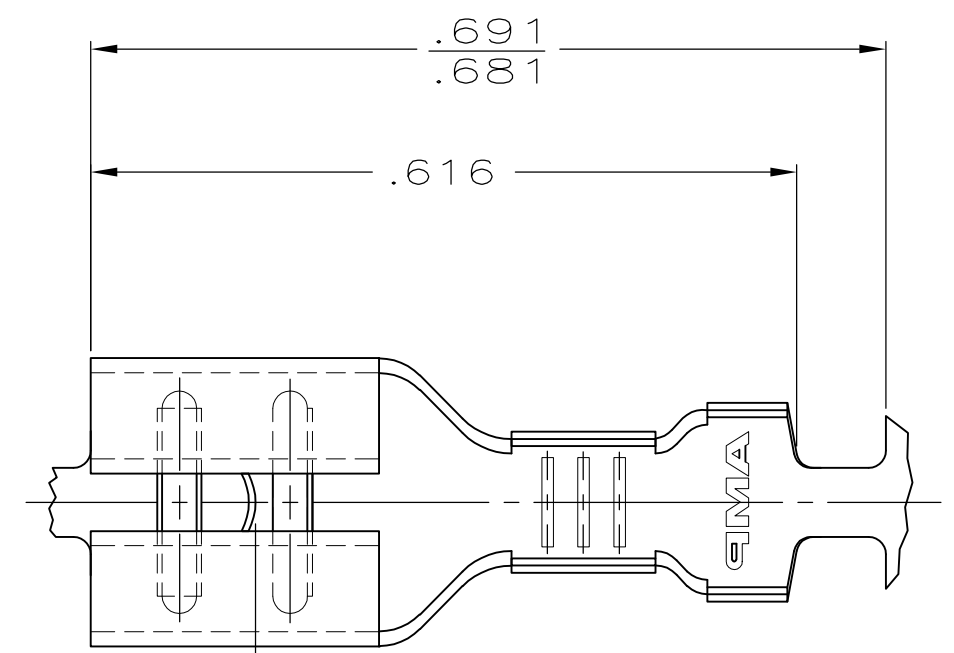


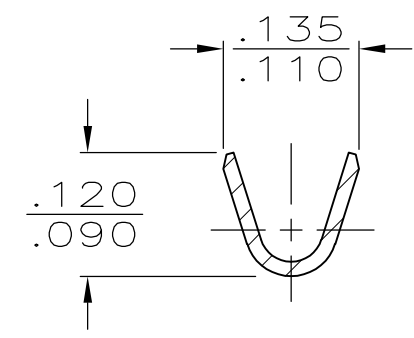
THIS DRAWING IS UNPUBLISHED. RELEASED FOR PUBLICATION  
 © COPYRIGHT - By - ALL RIGHTS RESERVED.

LOC	DIST	REVISIONS			
P	LTR	DESCRIPTION	DATE	DWN	APVD
AF	50	T	REVISED PER ECR-12-013445	09NOV12	KH PD

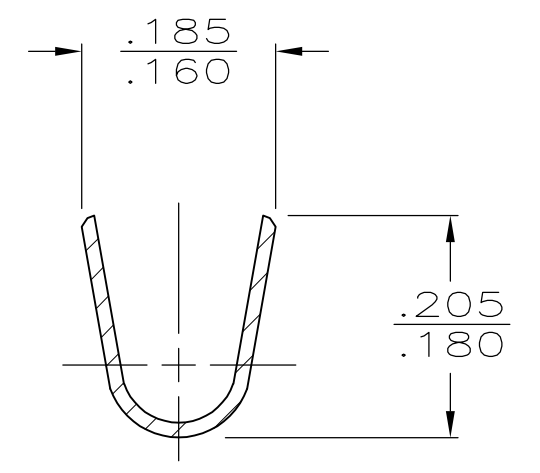


FITS '205' SERIES FASTON TAB

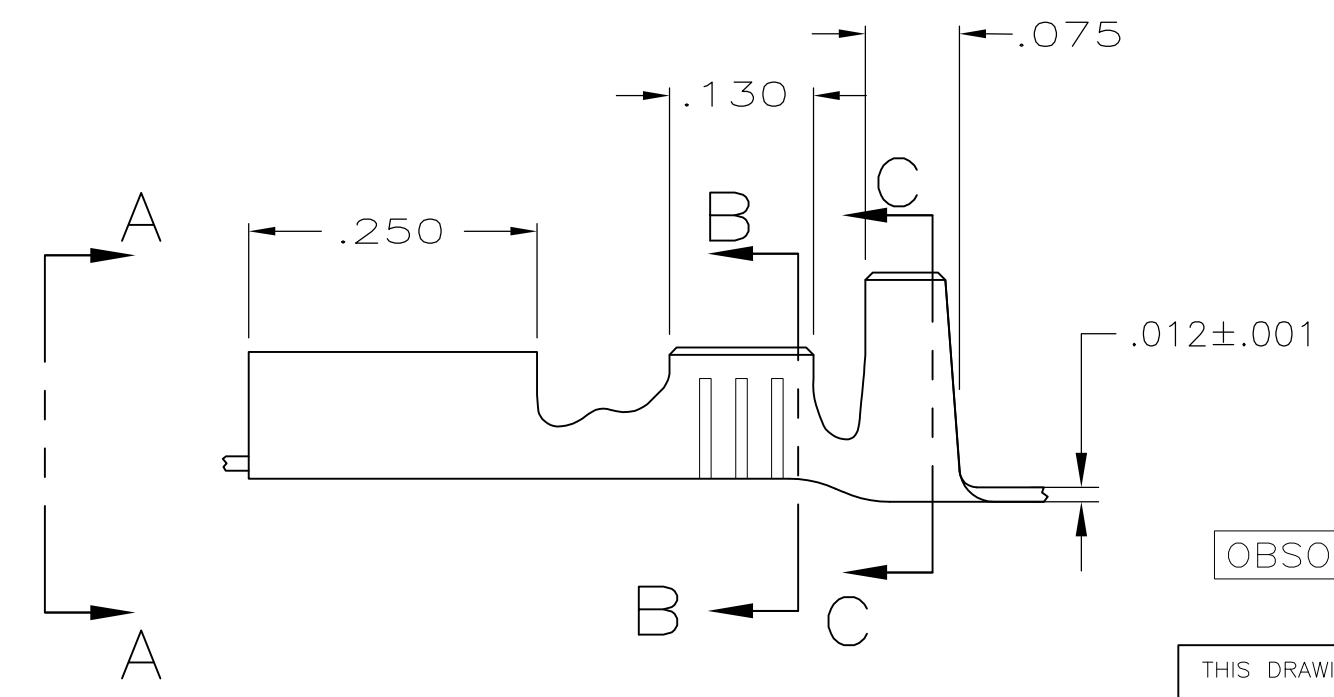
VIEW A-A



SECTION B-B



SECTION C-C



OBSOLETE	TIN	.032	22-18	.085 - .125	42299-2
	NONE				42299-1
	FINISH	MATING TAB THK #.001	WIRE SIZE	INSULATION RANGE	PART NUMBER

THIS DRAWING IS A CONTROLLED DOCUMENT.		DWN	2-22-89	TE Connectivity RECEPTACLE, FASTON, 205 SERIES	
		CHK	3-8-89		
		APVD	3-8-89		
		PRODUCT SPEC	-		
DIMENSIONS: INCHES		TOLERANCES UNLESS OTHERWISE SPECIFIED:		NAME	
		0 PLC	± -	SIZE	
		1 PLC	± -	CAGE CODE	DRAWING NO
		2 PLC	± -	A3 00779 C-42299	
		3 PLC	± .015	RESTRICTED TO	
		4 PLC	± -	-	
MATERIAL		FINISH		SCALE	
BRASS		SEE TABLE		6:1	
CUSTOMER DRAWING				SHEET 1 OF 1	
				REV T	