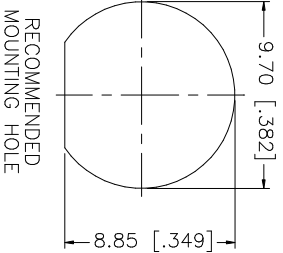
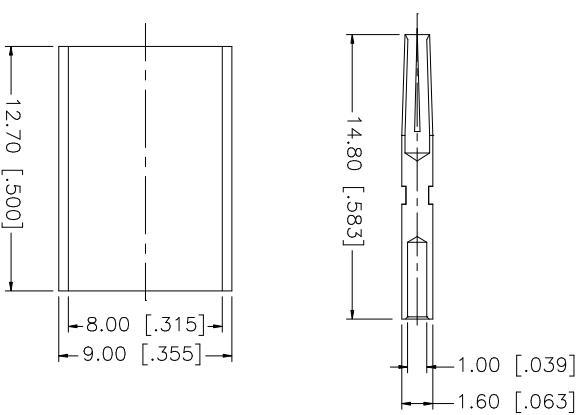
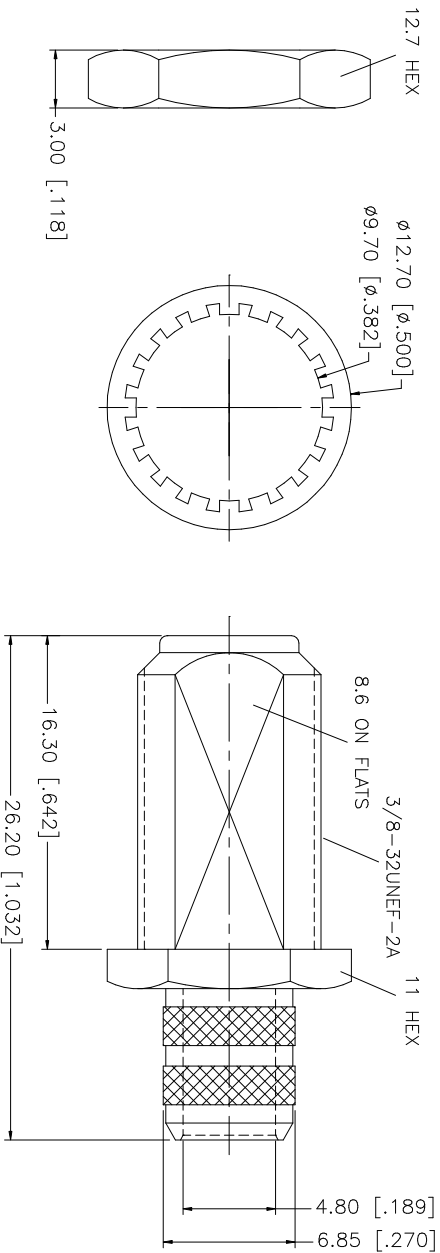
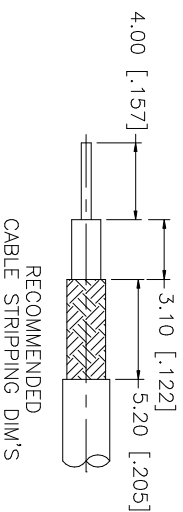


REV.	DATE	DESCRIPTION
NC	11/21/99	INITIAL RELEASE
A	08/17/06	UPDATE DRAWING FORMAT



- NOTES:
1. CRIMPED FERRULE HEX CRIMP SIZE .320".
 2. CRIMPED CONTACT PIN HEX CRIMP SIZE .052"

QTY	DESCRIPTION	MATERIAL	FINISH	FINISH	QTY	DO NOT SCALE DRAWING	APPROVALS	DATE	PART DESCRIPTION							
1	INSULATOR BODY	BRASS	NICKEL	NICKEL	1	UNLESS OTHERWISE SPECIFIED DIMENSIONS ARE IN INCHES AND FOR CUSTOMER REFERENCE ONLY. UNLESS OTHERWISE SPECIFIED TOLERANCES FOR MILLING TO AGE: 0.5 - 30mm ± 0.20mm 8 - 30mm ± 0.40mm 30 - 120mm ± 0.50mm UNLESS OTHERWISE SPECIFIED TOLERANCES FOR INCHES ARE: .020 - .315 = ± 0.007" .315 - 1.180 = ± 0.015" 1.180 - 4.724 = ± 0.020"	CAD FILE	C:/222/222161.DWG	DWG. NO.	222161.DWG	REV.	A	SIZE	A	SCALE	NA
1	CONTACT PIN	PHOS. BRONZE	GOLD	NATURAL	1		CHECKED	08/17/06	F BULKHEAD CRIMP JACK (FOR RG-6/U CABLE - 75ohm)							
1	LOCK WASHER	BRASS	NICKEL	NICKEL	1		ISSUED									
1	HEX NUT	BRASS	NICKEL	NICKEL	1											
1	FERRULE	BRASS	NICKEL	NICKEL	1											
8	DESCRIPTION	MATERIAL	FINISH	FINISH	QTY	DO NOT SCALE DRAWING	APPROVALS	DATE	PART DESCRIPTION							

Amphenol Connex

222161