

SACC-M12 NUT PRESS V4A - Housing screw connection

1053969

<https://www.phoenixcontact.com/us/products/1053969>

Please be informed that the data shown in this PDF document is generated from our online catalog. Please find the complete data in the user documentation. Our general terms of use for downloads are valid.

Housing screw connection for two-piece M12 connectors for the reflow soldering process.



Your advantages

- Easy device integration, thanks to mechanical port screw connections with press-in contour
- Flexible PCB assembly: two-piece connectors for wave and THR soldering

Commercial data

Item number	1053969
Packing unit	1 pc
Minimum order quantity	300 pc
Note	Made to order (non-returnable)
Sales key	AB23
Product key	ABQACK
GTIN	4055626686271
Weight per piece (including packing)	9.7 g
Weight per piece (excluding packing)	9.7 g
Customs tariff number	74198090
Country of origin	DE

SACC-M12 NUT PRESS V4A - Housing screw connection



1053969

<https://www.phoenixcontact.com/us/products/1053969>

Technical data

Product properties

Product type	Panel mounting base
--------------	---------------------

Material specifications

Material	Stainless steel V4A
Seal material	EPDM

Connector

Connection 1

Head design	Socket
Head thread type	M12

Mechanical properties

Mechanical data

Insertion/withdrawal cycles	> 100
-----------------------------	-------

Environmental and real-life conditions

Ambient conditions

Degree of protection (when plugged in)	IP67 (correctly plugged in and locked)
Degree of protection	IP67 (correctly plugged in and locked) IP67, when plugged in
Ambient temperature (operation)	-25 °C ... 85 °C (Plug / socket) -40 °C ... 85 °C (without mechanical actuation)

Standards and regulations

M12

Standard designation	M12 connector
Standards/specifications	IEC 61076-2-101

Mounting

Mounting type	M12 x 1
---------------	---------

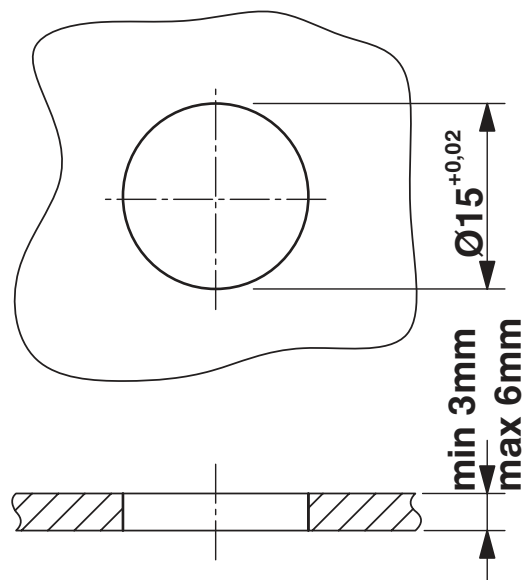
SACC-M12 NUT PRESS V4A - Housing screw connection

1053969

<https://www.phoenixcontact.com/us/products/1053969>

Drawings

Dimensional drawing



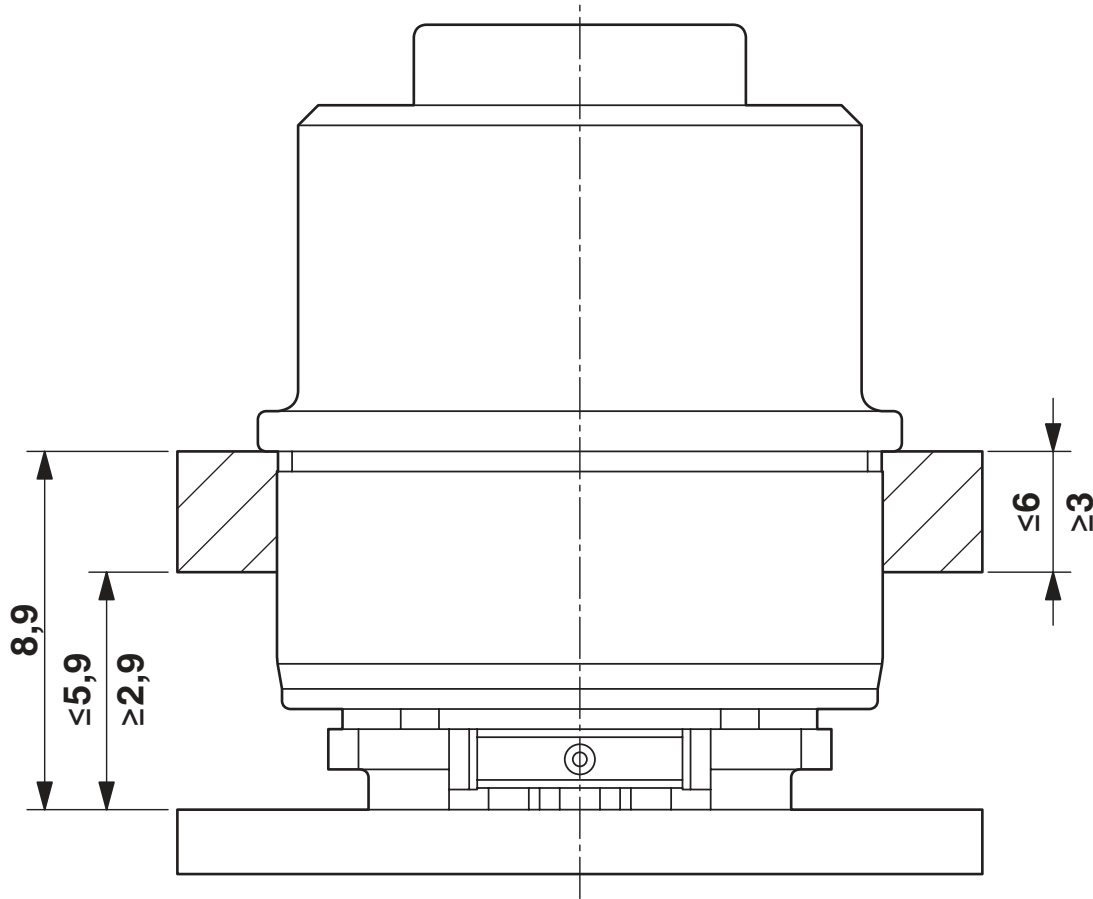
Housing bore holes

SACC-M12 NUT PRESS V4A - Housing screw connection

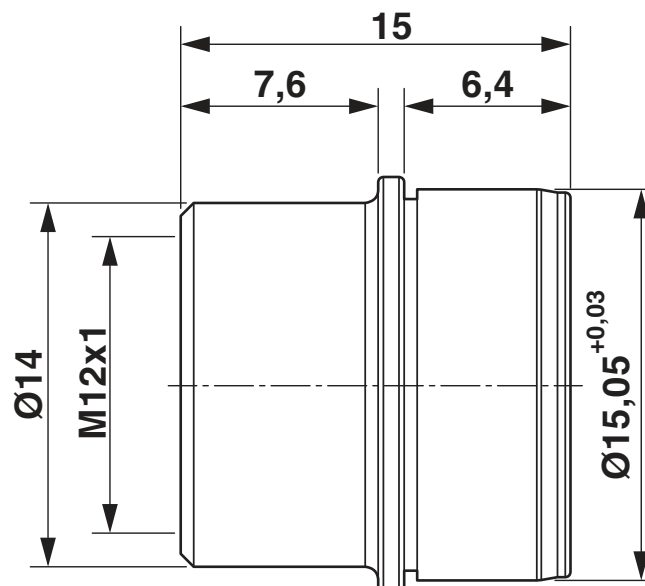
1053969

<https://www.phoenixcontact.com/us/products/1053969>

Dimensional drawing



Dimensional drawing



SACC-M12 NUT PRESS V4A - Housing screw connection



1053969

<https://www.phoenixcontact.com/us/products/1053969>

Approvals

🔗 To download certificates, visit the product detail page: <https://www.phoenixcontact.com/us/products/1053969>



EAC

Approval ID: B.01687

SACC-M12 NUT PRESS V4A - Housing screw connection



1053969

<https://www.phoenixcontact.com/us/products/1053969>

Classifications

ECLASS

ECLASS-11.0	27440102
ECLASS-12.0	27440116
ECLASS-13.0	27440116

ETIM

ETIM 8.0	EC002635
----------	----------

UNSPSC

UNSPSC 21.0	39121400
-------------	----------

SACC-M12 NUT PRESS V4A - Housing screw connection



1053969

<https://www.phoenixcontact.com/us/products/1053969>

Environmental product compliance

China RoHS	Environmentally friendly use period: unlimited = EFUP-e
	No hazardous substances above threshold values

Phoenix Contact 2023 © - all rights reserved
<https://www.phoenixcontact.com>

Phoenix Contact USA
586 Fulling Mill Road
Middletown, PA 17057, United States
(+717) 944-1300
info@phoenixcon.com