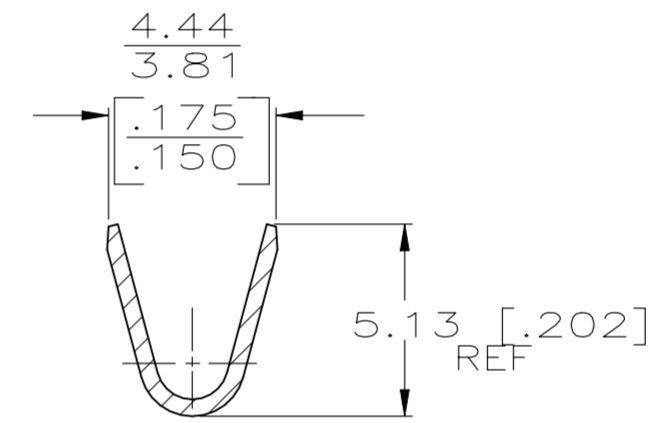
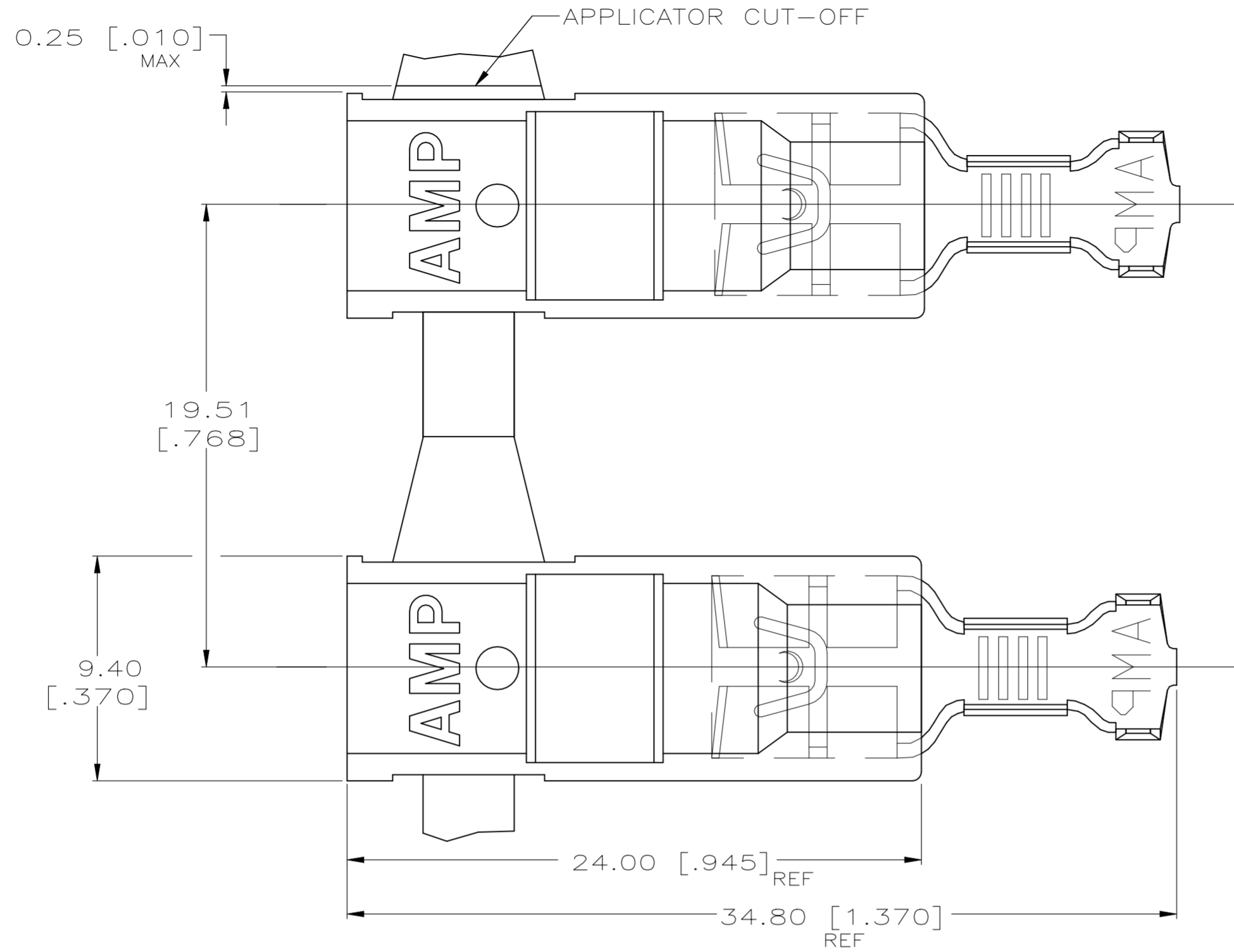
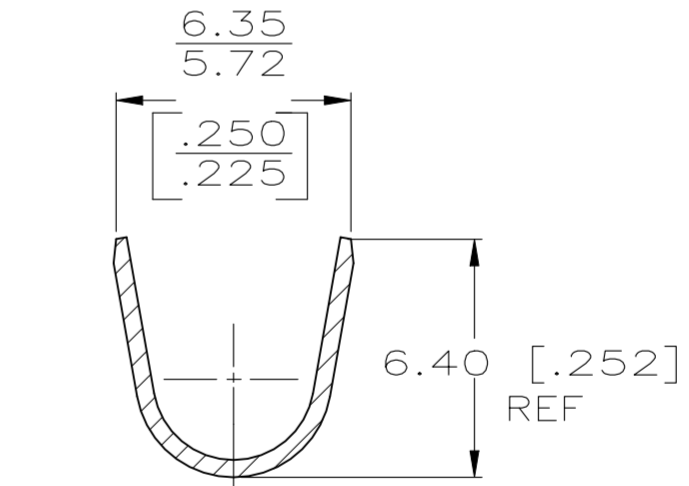
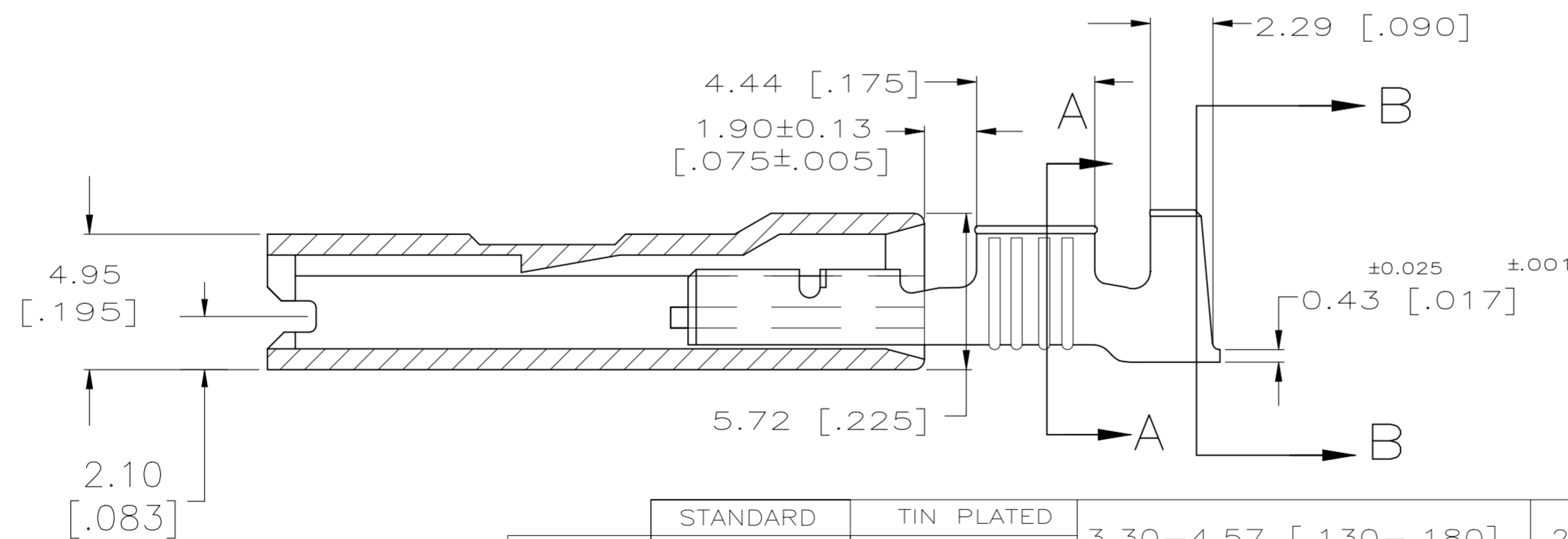


REVISIONS					
P	LTR	DESCRIPTION	DATE	DWN	APVD
B2		REVISED PER ECR-22-160893	14DEC2022	DB	BW



SECTION A-A



SECTION B-B

SUPERSEDED	STANDARD	TIN PLATED	3.30-4.57 [.130-.180]	2.0-5.0 mm [14-10]	0.813 [.032]	521366-2
	-STANDARD	-PLAIN-				-521366-1
	PACKAGING	TERMINAL FINISH	INSULATION RANGE	WIRE SIZE	MATING TAB THK±0.025[±.001]	PART NO

1 LOW-INSERTION FASTON TERMINALS, BASE P/N 63639, ARE USED IN THIS PRODUCT.

THIS DRAWING IS A CONTROLLED DOCUMENT.

DWN	JR RUTH	22NOV00
CHK	MS FEHER	22NOV00
APVD	J HUMMEL	22NOV00
PRODUCT SPEC	108-1285	
APPLICATION SPEC	114-2124	
WEIGHT	0.000000	
CUSTOMER DRAWING		

TE Connectivity

ASSEMBLY, RECEPTACLE, ULTRA-POD, 6.35 [.250] SERIES

SIZE	A2	CAGE CODE	00779	DRAWING NO	C=521366	RESTRICTED TO	-
SCALE	5:1	SHEET	1 of 1	REV	B2		