

## APPLICATIONS

The CLHB-LF-265 is a full-body, premium-performance LED high bay luminaire. It is designed to illuminate a wide variety of settings, including commercial, industrial & retail settings such as warehouses, manufacturing plants, sporting venues and big-box retailers. With a painted, steel housing, the CLHB-LF-265 provides durability and high performance. High-efficacy, long-life LEDs provide both energy and maintenance cost savings compared to traditional, HID high bays.

## FEATURES

- Available in 4000k (neutral white) and 5000k (cool white) color temperature.\*
- Long-life LEDs provide 122,000 hours of operation with at least 70% of initial lumens output (L70).\*\*
- Delivers 36,570 lumens (138 lumens per watt, LPW) at 4000k, and 37100 lumens (140 LPW) at 5000k.\*
- Universal 120-277 AC voltage (50-60Hz) is standard.
- 0-10vdc dimming drivers are standard.
- Power factor > 0.90.
- Total harmonic distortion < 20%
- Color rendering index > 80.
- Painted steel housing.
- Easy installation in new construction or retrofit.
- Chain-mount kits (includes v-hooks and 1/8" thick, 1-meter long chain) are standard.
- Options include lenses (clear & diffused), wire-guard kits, surface-mounting kits, pendant-mounting kits, and cable-mounting kits.

\* contact factory for other color temperatures and lumen packages.  
 \*\*L70 hours are IES TM-21-11 calculated hours.

## STANDARD



\*Shown with optional diffuse lens\*



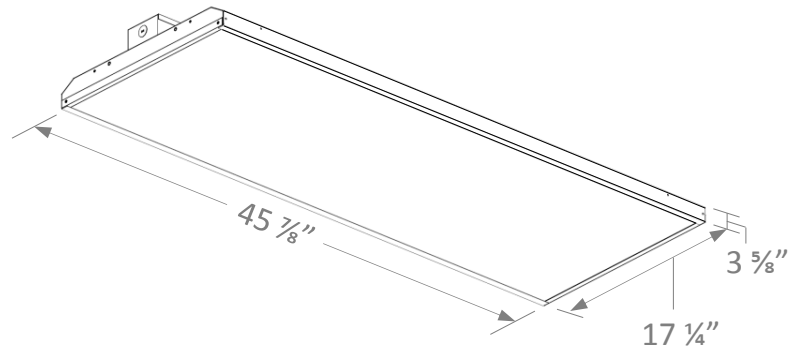
## MOUNTING

- Chain mounting with V-hooks is standard.
- Optional surface mounting kit provides attachment to flat ceilings.
- Optional pendant mounting kit provides pendant attachment to junction boxes.
- Optional cable mounting kits provide suspension at two lengths (i.e., 3 & 5 meters).

## WARRANTY/LISTING

- cULus listed for damp locations in ambient temperatures from -20°C to 50°C (-4°F to 122°F).
- DLC Premium approved.
- Complies with FCC Part 15, class B.
- Complies with IEEE C.62.41-1991, input transient protection (2.5kV).
- 5-year warranty

## DIMENSIONS



## PRODUCT PARAMETER

MODEL	LUMINAIRE WATTS	LUMINAIRE LUMENS	LUMENS PER WATTS	COLOR TEMPERATURE	OPTIONS (ORDER SEPARATELY)
CLHB-LF-26540	265	36,570	138	40 = 4000K	CAHB-275-CRLENS = Clear lens
CLHB-LF-26550	265	37,100	140	50 = 5000K	CAHB-275-DIFLENS = Diffuse lens
					CAHB-275-WG = Wire-guard kit
					CAHB-SMK = Surface-mounting kit
					CAHB-PMK = Pendant-mounting kit
					CAHB-CMK3 = Cable-mounting kit, 3 meters long
					CAHB-CMK5 = Cable-mounting kit, 5 meters long

## ELECTRICAL DATA

MODEL	COLOR TEMPERATURE	CRI <sup>1</sup>	LUMINAIRE LUMENS	LUMINAIRE WATTS	LUMENS/WATT	INPUT VOLTAGE <sup>2</sup>	INPUT CURRENT (A)			POWER FACTOR	THD <sup>3</sup>	L <sub>70</sub> HOURS <sup>4</sup>
							120V	240V	277V			
CLHB-LF-26540	4000k	>80	36,570	265	138	120-277	2.21	1.10	0.96	>90%	<20%	122,000
CLHB-LF-26550	5000k	>80	37,100	265	140	120-277	2.21	1.10	0.96	>90%	<20%	122,000

<sup>1</sup> Color rendering index.

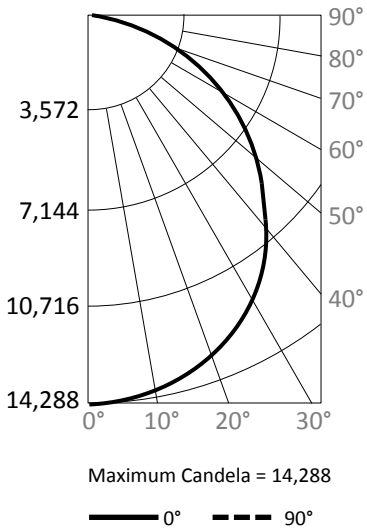
<sup>2</sup> All 50-60Hz.

<sup>3</sup> Total harmonic distortion.

<sup>4</sup> L<sub>70</sub> refers to the number of hours at which lumen output declines to 70% of the initial level. L<sub>70</sub> hours are IES TM-21-11 calculated hours.

## PHOTOMETRIC DATA

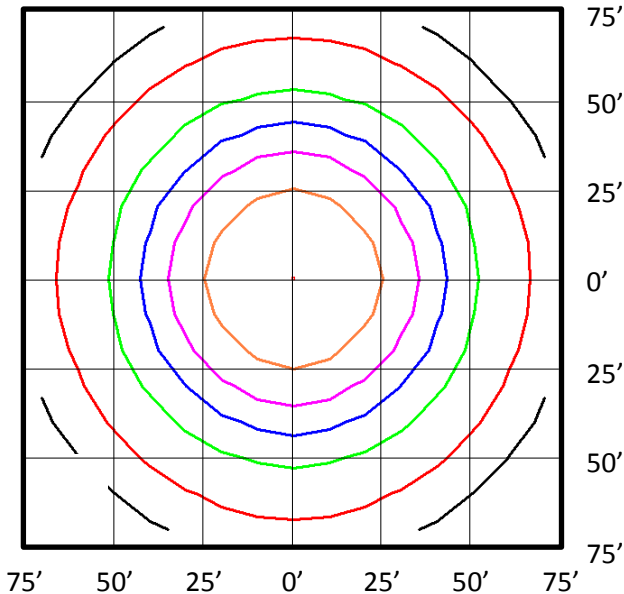
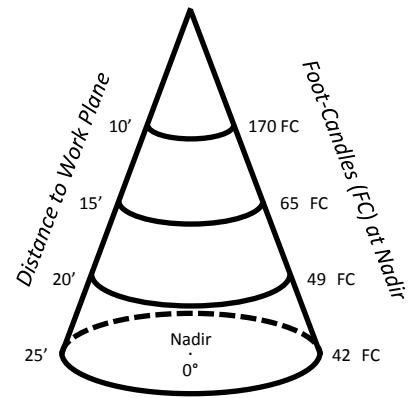
### CLHB-LF-26550 (37,100 Lumens)



	0°	90°
0°	14,288	14,288
10°	14,004	14,059
20°	13,273	13,258
30°	11,935	11,842
40°	10,084	9,880
50°	7,819	7,499
60°	5,403	5,058
70°	3,102	2,862
80°	1,134	1,047
90°	0	0

Zone	Lumens	% Fixture
0° - 10°	1,352	3.6%
0° - 20°	5,220	14.1%
0° - 30°	11,042	29.8%
0° - 40°	17,918	48.3%
0° - 50°	24,743	66.7%
0° - 60°	30,494	82.2%
0° - 70°	34,518	93.0%
0° - 80°	36,606	98.7%
0° - 90°	37,100	100.0%
90° - 180°	0	0.0%
0° - 180°	37,100	100.0%

### Cone of Light



5.0
2.0
1.0
0.5
0.2
0.1

### Notes:

- Isofootcandle plots depict initial footcandles at grade.
- Gridlines represent units of mounting height of 25 feet.