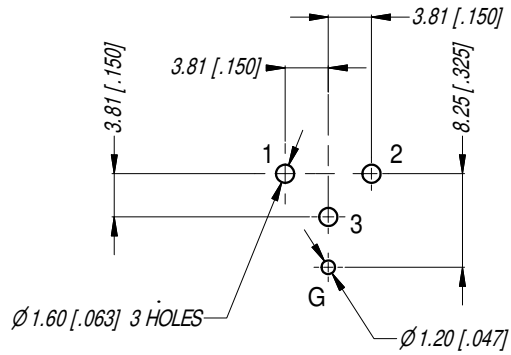


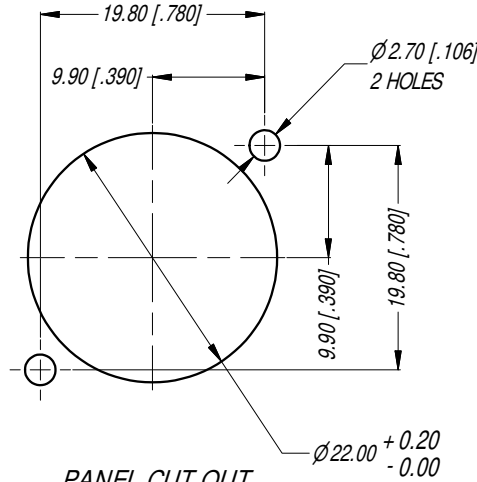
MIN MOUNTING PITCH (1:1)



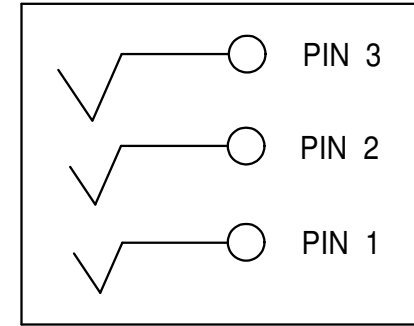
PCB LAYOUT

TOLERANCE: $\pm 0.05 [\pm .002]$

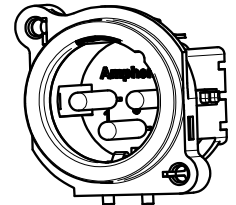
NOTE: DIMENSIONS IN PARENTHESES ARE IN INCHES.



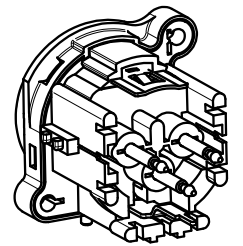
PANEL CUT OUT
REAR VIEW



SCHEMATIC CHART



3D VIEW (1:1)



REV	DESCRIPTION	DATE	BY	CHG No
2	ADD SUFFIX B TO PART No	27/08/15	T.N	9318
1	ADD SCHEMATIC CHART	06/26/09	A.O	8793
0	FIRST ISSUE	03/09/07	T.N	8686

REVISION HISTORY

TITLE: XLR MALE B TYPE CONNECTOR CUSTOMER DWG		Amphenol	
DRAWING NO. 55010466-000-2		SHEET 2/2	

UNLESS OTHERWISE SPECIFIED TOLERANCE TO BE:		THIS DOCUMENT IS THE PROPERTY OF AMPHENOL AUSTRALIA PTY. LTD. NO PART THEREOF MAY BE REPRODUCED AND USED WITHOUT THE PRIOR WRITTEN CONSENT OF THE OWNER			
LINEAR	ANGULAR	CAD FILE	DRN:	DATE:	
X ± 0.5	X° ± 1	55010466000211	T.N	04/09/07	
X.X ± 0.1	X.X° ± 30°	MATL:	P.M	DATE:	
X.XX ± 0.05	X.XX° ± 15°	REFER TO COMPONENTS		06/26/09	
BREAK ALL SHARP EDGES AND REMOVE ALL BURRS		FINISH:	P.M	DATE:	
DO NOT SCALE		REFER TO COMPONENTS		26/26/09	
DIMENSIONS IN MILLIMETRES		THIRD ANGLE PROJECTION	SCALE:	PART No:	
			1.5:1	AC3MBV-AU-B	

NOTE: SUFFIX "B" IN THE PART No. INDICATES BULK PACK