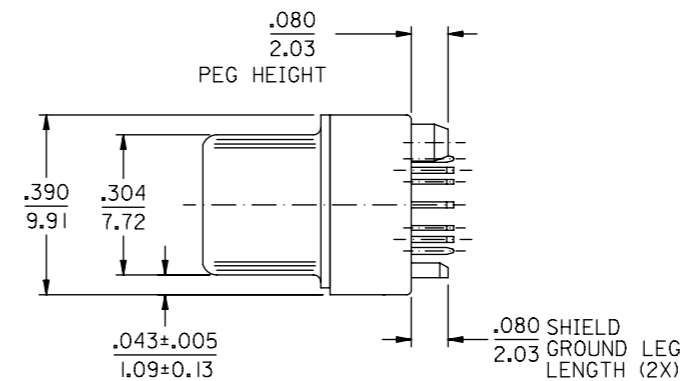


**NOTES:**

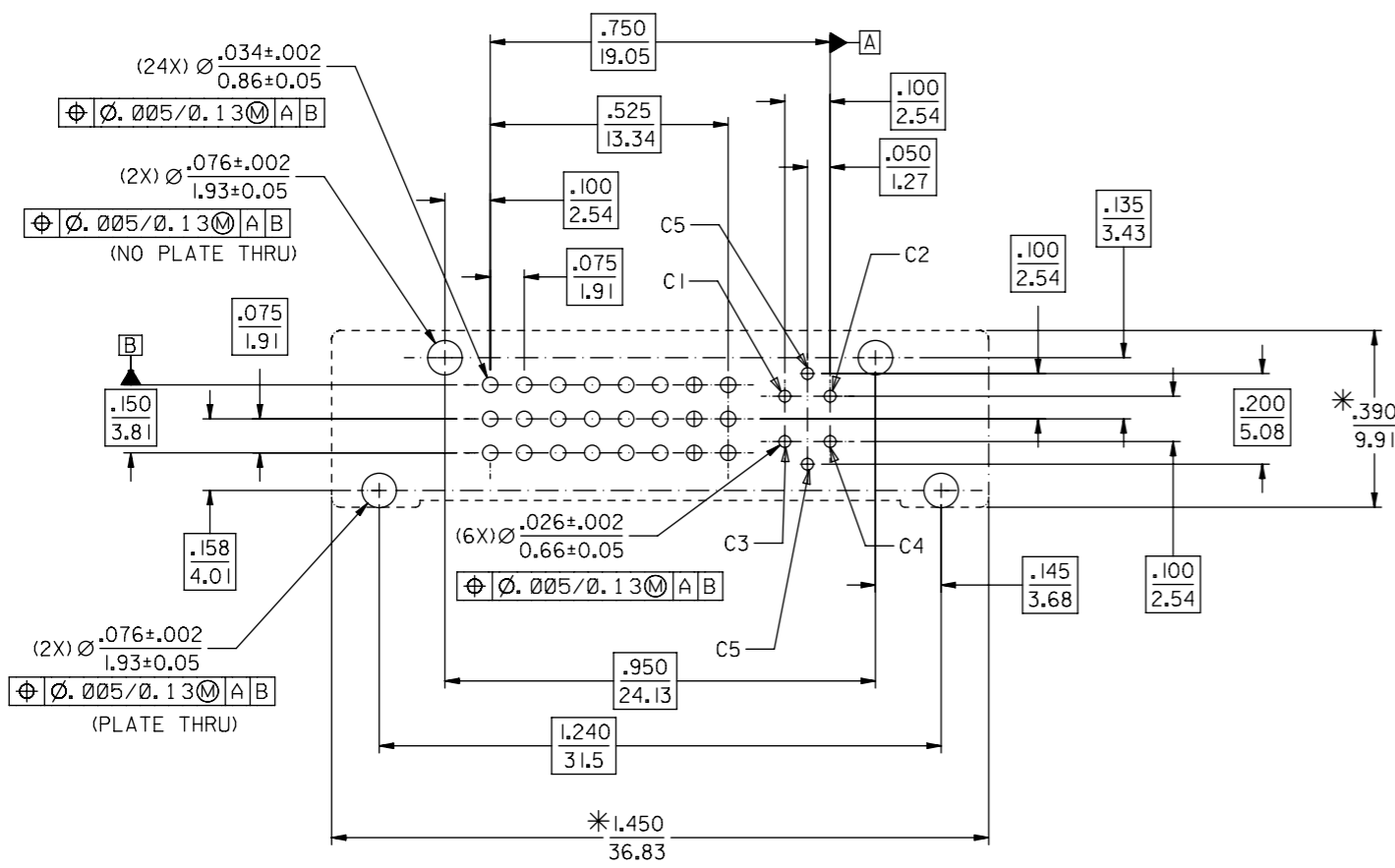
- MATERIAL:**  
SHIELD: DEEP DRAW STEEL;  
HOUSING: LCP, UL94V-0, NATURAL (WHITE);  
CONTACT: COPPER ALLOY.
- PLATING:** SEE SHEET 2.
- PRODUCT CONFORMS TO MOLEX PRODUCT SPECIFICATION NUMBER PS-74320-001.
- SEE SHEET 2 FOR RECOMMENDED PANEL CUT-OUT AND P.C.B. LAYOUT.
- PARTS WILL BE PACKAGED IN TRAYS PER PK-74320-010.
- PRODUCT CONFORMS TO DDWG DVI SPECIFICATION. REFER TO THIS SPECIFICATION FOR CONNECTOR MATING DIMENSIONS.
- RECOMMENDED MOUNTING HARDWARE IS MOLEX P/N 71781-0001 OR 82007-0300 OR 88780-6066. REFER TO PRODUCT SPECIFICATION NUMBER PS-74320-001 FOR THIS APPLICATION TORQUE REQUIREMENT FOR ASSMBLING MOUNTING HARDWARE.



74320-3005	2	.050/1.27
74320-3004	2	.092/2.34
74320-3001	1	.050/1.27
74320-3000	1	.092/2.34
<b>PART NUMBER</b>	<b>PLATING OPTION</b>	<b>DIM A</b>

THIS DRAWING CONTAINS INFORMATION THAT IS PROPRIETARY TO MOLEX ELECTRONIC TECHNOLOGIES, LLC AND SHOULD NOT BE USED WITHOUT WRITTEN PERMISSION											
<b>QUALITY SYMBOLS</b>		<b>CHANGE SHELL PLATING</b>		<b>GENERAL TOLERANCES (UNLESS SPECIFIED)</b>		<b>DIMENSION UNITS</b>		<b>SCALE</b>		<p>DVI - INTEGRATED VERTICAL, RECEPTACLE CONNECTOR</p> <p>PRODUCT CUSTOMER DRAWING</p>	
FA	= 0	2016/08/16	2016/08/15	ANGULAR TOL ± 1.0 °		INCH		1:1			
FE	= 0	DRWN: XQZHANG	CHK'D: XQZHANG	4 PLACES	± 0.01	DRWN BY		DATE			
FP	= 0	EC NO: 118825	APP: AYIN	3 PLACES	± 0.01	XQZHANG		2014/12/10			
FD	= 0			2 PLACES	± 0.01	CHK'D BY		DATE		74320	
FD	= 0			1 PLACE	±	XQZHANG		2014/12/09		SEE TABLE	
FD	= 0			0 PLACES	±	APPR BY		DATE		GENERAL MARKET	
FD	= 0			DRAFT WHERE APPLICABLE MUST REMAIN WITHIN DIMENSIONS		AYIN		2015/02/09		DOCUMENT NUMBER	
FD	= 0					DRAWING SIZE		THIRD ANGLE PROJECTION		SD-74320-002	
						A3				DOC TYPE	
										PSD	
										DOC PART	
										000	
										SHEET NUMBER	
										1 OF 2	

RELEASE STATUS	RELEASE DATE
----------------	--------------

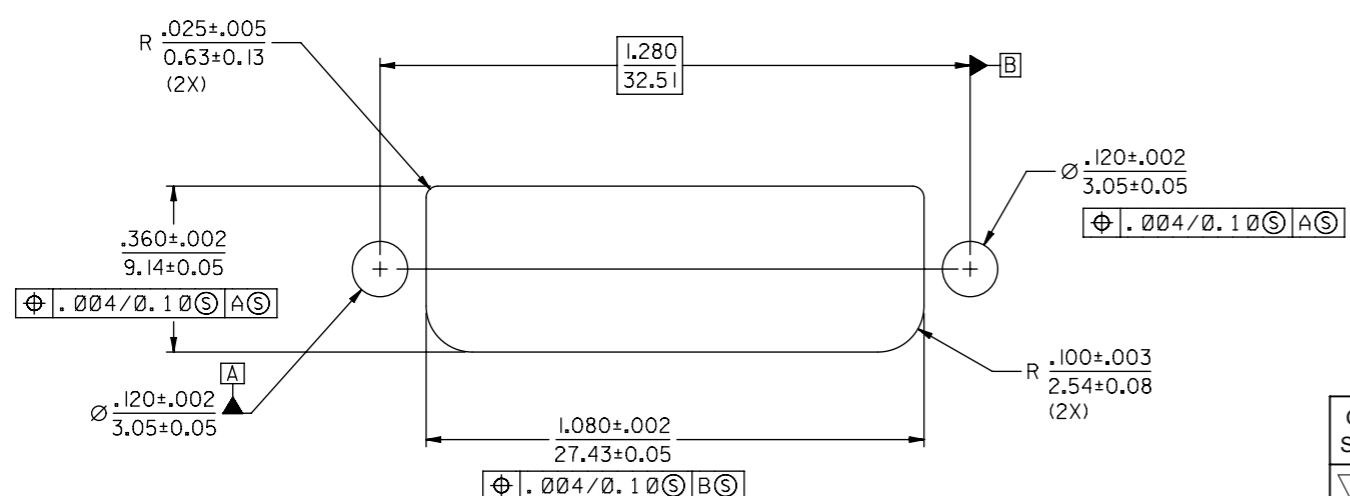


RECOMMENDED PCB LAYOUT

\* THESE DIMENSIONS REPRESENT CONNECTOR OVERLAY ON PCB.

PLATING OPTIONS:  
 PLATING OPTION #1:  
 OUT SHIELD -- 60u"/(1.5um) MIN. SOLDERABLE NICKEL OVER  
 30u"/(0.75um) MIN. COPPER OVERALL.  
 .075"/(1.91mm) CONTACTS -- 30u"/(0.75um) MIN. SELECT GOLD AND  
 100u"/(2.50um) MIN. SELECT PURE TIN  
 OVER 50u"/(1.27um) MIN. NICKEL OVERALL.  
 .100"/(2.54mm) CONTACTS -- 30u"/(0.75um) MIN. SELECT GOLD AND  
 100u"/(2.50um) MIN. SELECT PURE TIN  
 OVER 50u"/(1.27um) MIN. NICKEL OVERALL.

PLATING OPTION #2:  
 OUT SHIELD -- 60u"/(1.5um) MIN. SOLDERABLE NICKEL OVER  
 30u"/(0.75um) MIN. COPPER OVERALL.  
 .075"/(1.91mm) CONTACTS -- SELECT GOLD FLASH AND  
 100u"/(2.50um) MIN. SELECT PURE TIN  
 OVER 50u"/(1.27um) MIN. NICKEL OVERALL.  
 .100"/(2.54mm) CONTACTS -- SELECT GOLD FLASH AND  
 100u"/(2.50um) MIN. SELECT PURE TIN  
 OVER 50u"/(1.27um) MIN. NICKEL OVERALL.



RECOMMENDED PANEL CUT-OUT  
 PANEL THICKNESS: .030/0.76-.040/1.02

THIS DRAWING CONTAINS INFORMATION THAT IS PROPRIETARY TO MOLEX ELECTRONIC TECHNOLOGIES, LLC AND SHOULD NOT BE USED WITHOUT WRITTEN PERMISSION										
QUALITY SYMBOLS	CHANGE SHELL PLATING	EC NO: 118825	DRWN: XQZHANG	CHK'D: XQZHANG	APPR: AYIN	GENERAL TOLERANCES (UNLESS SPECIFIED)		DIMENSION UNITS	SCALE	
						ANGULAR TOL ± 1.0 °		INCH	1:1	
▽A = 0						4 PLACES ± 0.01		DRWN BY	DATE	
▽E = 0						3 PLACES ± 0.01		XQZHANG	2014/12/10	
▽F = 0						2 PLACES ± 0.01		CHK'D BY	DATE	
▽ = 0						1 PLACE ±		XQZHANG	2014/12/09	
▽C = 0						0 PLACES ±		APPR BY	DATE	
⊗ = 0						DRAFT WHERE APPLICABLE MUST REMAIN WITHIN DIMENSIONS		AYIN	2015/02/09	
■ = 0						DRAWING SIZE	THIRD ANGLE PROJECTION			
▽ = 0						A3				
							DVI - INTERGRATED VERTICAL, RECEPTACLE CONNECTOR			
							PRODUCT CUSTOMER DRAWING			
RELEASE STATUS		RELEASE DATE				SERIES	MATERIAL NUMBER	CUSTOMER		
						74320	SEE TABLE	GENERAL MARKET		
							DOCUMENT NUMBER	DOC TYPE	DOC PART	SHEET NUMBER
							SD-74320-002	PSD	000	2 OF 2