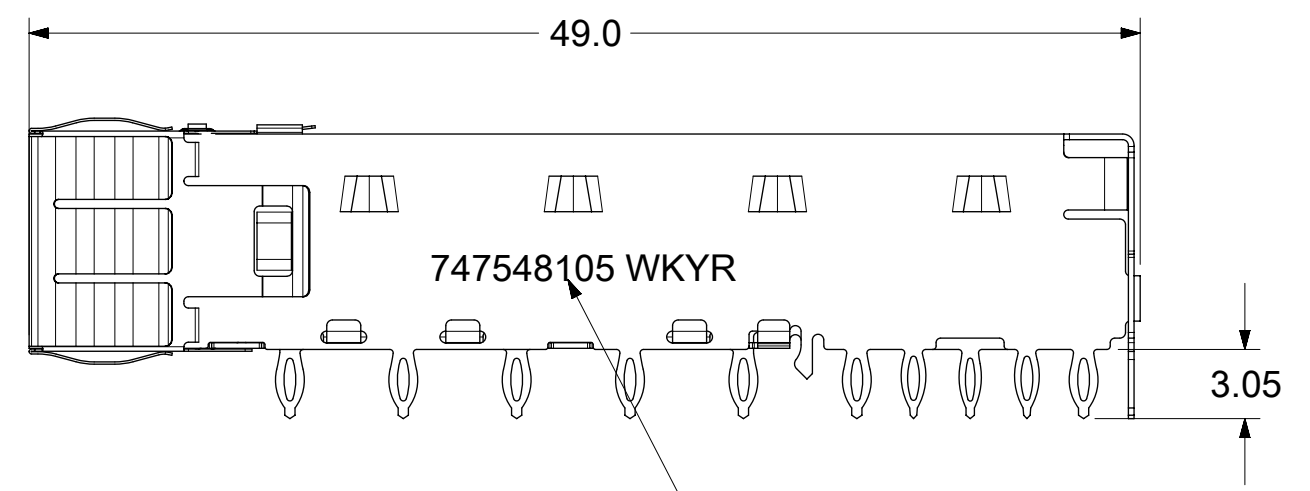
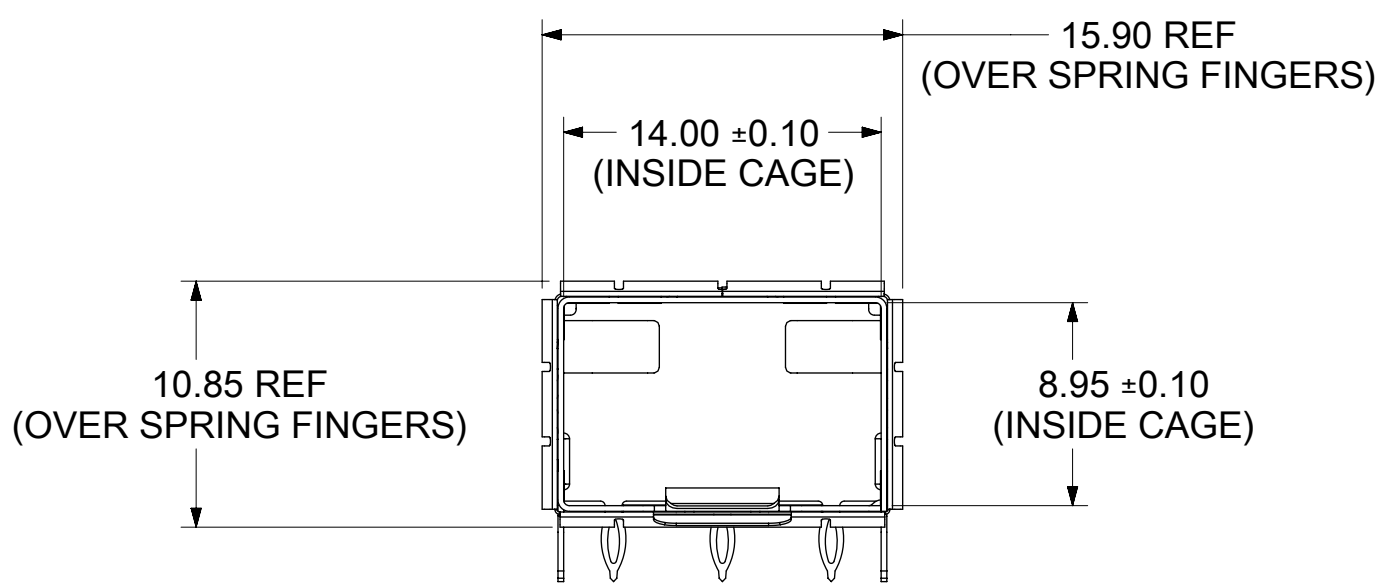


EMI SPRING FINGER



747548105 WKYR

PART NO. AND WEEK/YEAR DATE CODE TO BE STAMPED ON THE SIDE OF COMPLETED CAGE ASSEMBLY APPROXIMATELY AS SHOWN

WEEK/YEAR DATE CODE TABLE

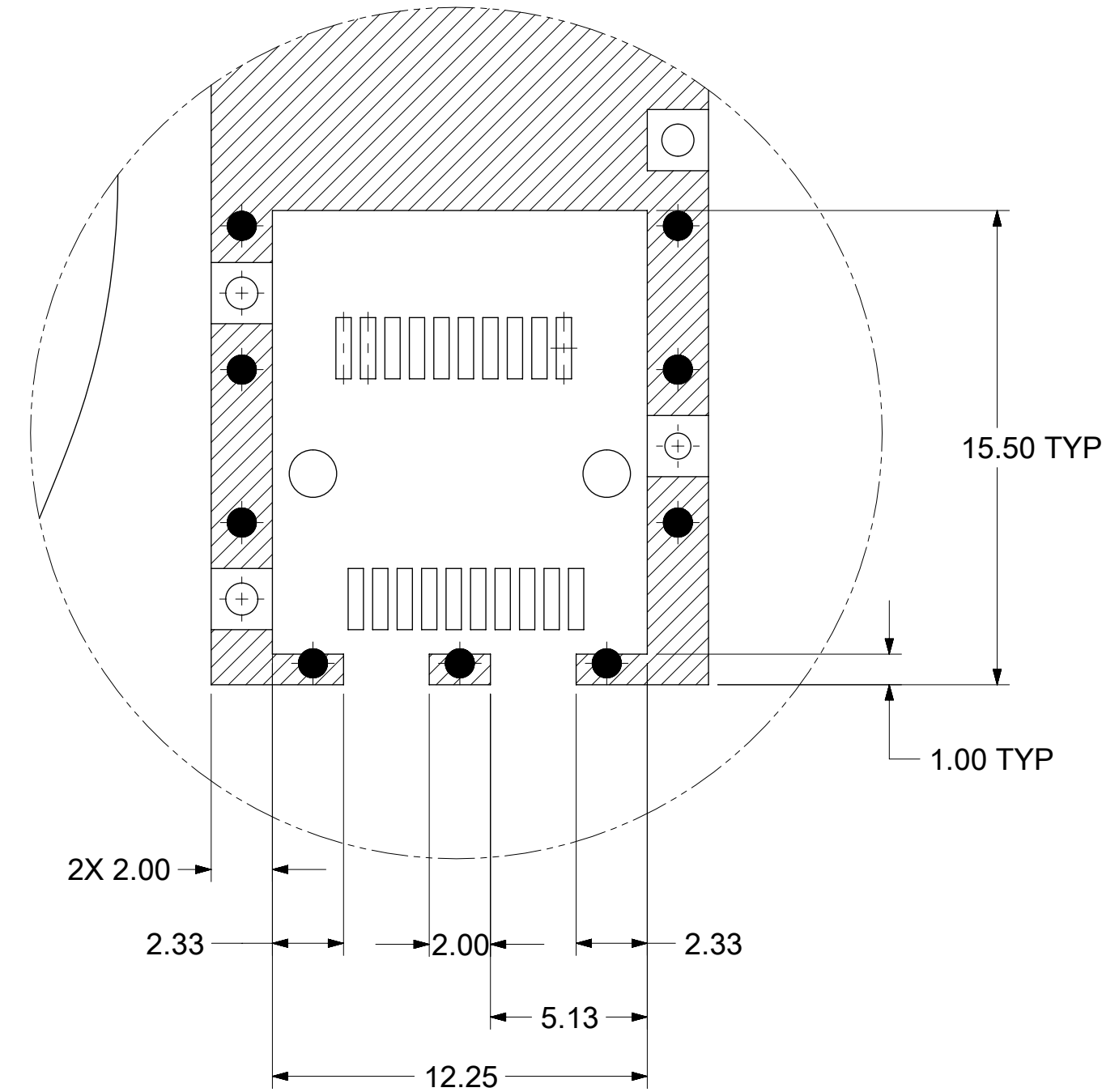
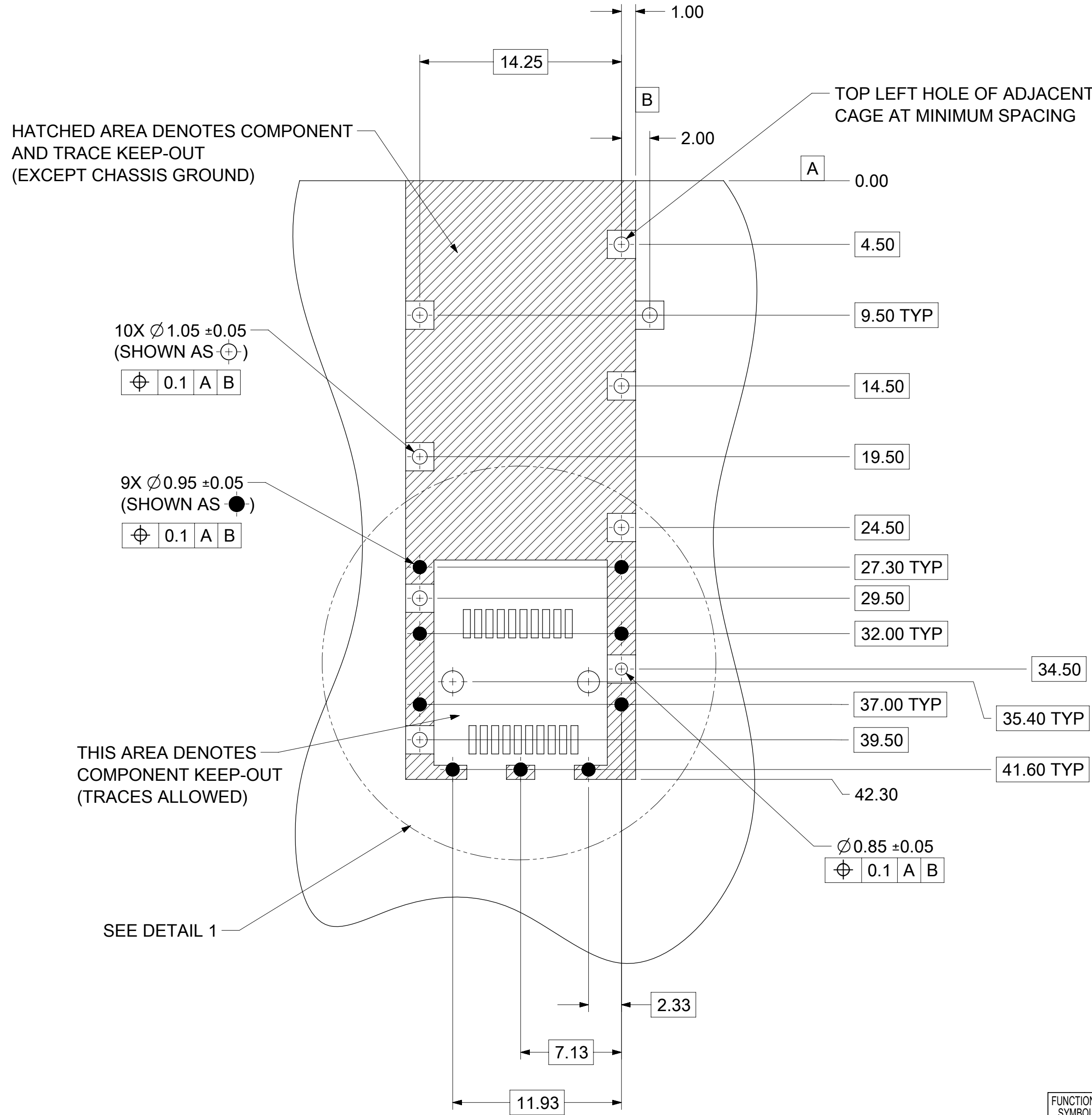
WK	01 THRU 52 OR 53 EXAMPLE: 01 = FIRST WEEK OF YEAR 52= LAST WEEK OF THE YEAR
YR	22, 23, 24 ETC. EXAMPLE: YEAR 2022 = 22

NOTES:

- MATERIAL:
CAGE: NICKEL PLATED COPPER ALLOY, THICKNESS 0.25mm
SPRING FINGER: STAINLESS STEEL.
- PRESS FIT LEGS 3.05 LONG -
1.57 MINIMUM PCB THICKNESS FOR SINGLE SIDED USE
- OPTIONAL LIGHT PIPE ASSEMBLY AVAILABLE
- PORTS ARE DESIGNED FOR SFP+ TRANSCEIVERS AND ARE BACKWARDS COMPATIBLE WITH SFP TRANSCEIVERS
- THIS PART MEETS THE RESTRICTION OF HAZARDOUS SUBSTANCES IN ELECTRICAL AND ELECTRONIC EQUIPMENT (RoHS) DIRECTIVE (2002/95/EC)

FUNCTIONAL SYMBOLS	THIS DRAWING CONTAINS INFORMATION THAT IS PROPRIETARY TO MOLEX ELECTRONIC TECHNOLOGIES, LLC AND SHOULD NOT BE USED WITHOUT WRITTEN PERMISSION		CURRENT REV DESC: SEE REVISION TABLE	
	DIMENSION UNITS	SCALE		
$\nabla_A = 0$	mm	3:1		
$\nabla_E = 0$	GENERAL TOLERANCES (UNLESS SPECIFIED)			
	ANGULAR TOL	± 1.0°		
DIVISIONAL SYMBOLS	4 PLACES	±	EC NO: 707270	
	3 PLACES	±	DRWN: PKH	2022/04/13
	2 PLACES	± 0.15	CHK'D: TKUMARKC	2022/05/25
	1 PLACE	± 0.25	APPR: SCHIEN	2022/06/01
0 PLACES	±	INITIAL REVISION:		
DRAFT WHERE APPLICABLE MUST REMAIN WITHIN DIMENSIONS		THIRD ANGLE PROJECTION	DRAWING	SERIES
			C-SIZE	74754
DOCUMENT STATUS		DOCUMENT NUMBER	MATERIAL NUMBER	CUSTOMER
P1	RELEASE DATE 2022/06/01 06:40:53	747548105	747548105	
		DOC TYPE	DOC PART	REVISION
		PSD	ASY	A
		SHEET NUMBER		
		1 OF 4		

PCB LAYOUT FOR SINGLE SIDE MOUNT

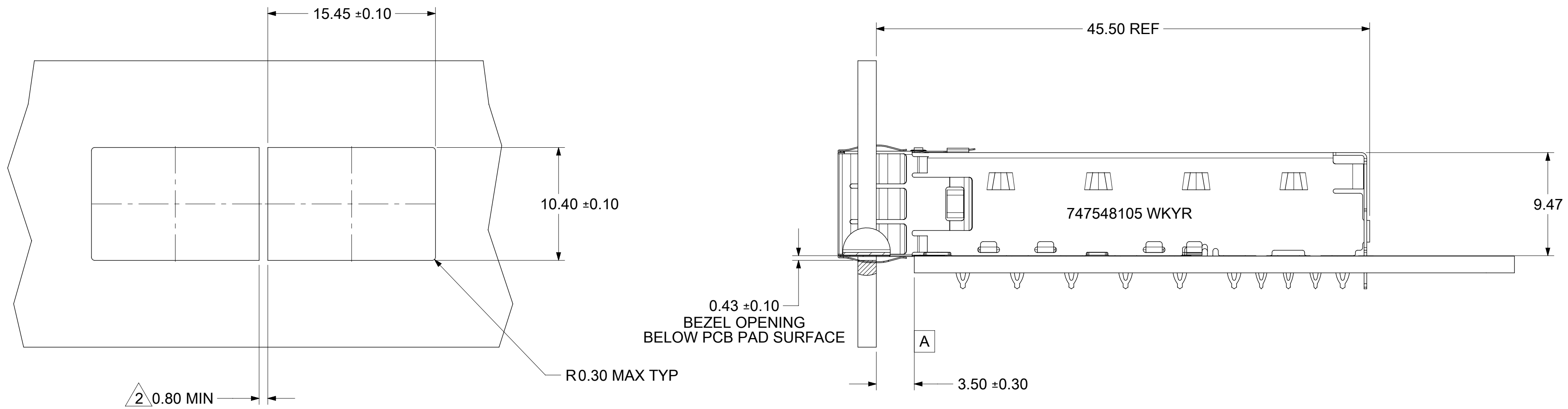


DETAIL 1
SCALE 10:1
HOST CONNECTOR DETAIL

- NOTES:
- PADS AND VIAS CONNECT TO CHASSIS GROUND (RECOMMEND PADS TO BE 2.00mm SQUARE)
 - RECOMMENDED THRU HOLE PLATING INCLUDES HASL, OSP, OR IMMERSION (GOLD, SILVER, OR TIN).
 - CONNECTOR PAD LAYOUT PER SFP+ MSA WILL ACCOMMODATE MOLEX CONNECTOR SERIES 74441 OR EQUIVALENT.

FUNCTIONAL SYMBOLS		THIS DRAWING CONTAINS INFORMATION THAT IS PROPRIETARY TO MOLEX ELECTRONIC TECHNOLOGIES, LLC AND SHOULD NOT BE USED WITHOUT WRITTEN PERMISSION		CURRENT REV DESC: SEE REVISION TABLE	
$\nabla_A = 0$	DIMENSION UNITS	SCALE			
$\nabla_C = 0$	mm	4:1			
$\nabla_P = 0$	GENERAL TOLERANCES (UNLESS SPECIFIED)				
DIVISIONAL SYMBOLS		ANGULAR TOL	± 1.0°		
		4 PLACES	±		
		3 PLACES	±		
		2 PLACES	± 0.15		
		1 PLACE	± 0.25		
		0 PLACES	±		
DRAFT WHERE APPLICABLE MUST REMAIN WITHIN DIMENSIONS		THIRD ANGLE PROJECTION	DRAWING	SERIES	MATERIAL NUMBER
			C-SIZE	74754	747548105
DOCUMENT STATUS		RELEASE DATE	2022/06/01	06:40:53	
P1					
PRODUCT CUSTOMER DRAWING		DOCUMENT NUMBER	747548105	DOC TYPE	PSD
SFP+ 1X1 CAGE ASSEMBLY PRESS FIT TYPE, WITH SUS EMI SPRING FINGERS		DOC PART	ASY	REVISION	A
SHEET NUMBER		2 OF 4			

BEZEL AND BOARD POSITION DIMENSIONS FOR SINGLE SIDE MOUNTING (SPRING FINGER)




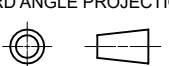
NOTE:
 1. PCB THICKNESS VARIATION MUST BE CONSIDERED WHEN DETERMINING BEZEL OPENING LOCATION.
 2. THIS DIMENSION IS FOR REFERENCE ONLY. USER CAN MODIFY UT DEPENDS ON APPLICATION.
 (THIS DIMENSION VARIES BASED ON DISTANCE OF "HOLE OF ADJACENT CAGE" ON PCB LAYOUT.)

THIS DRAWING CONTAINS INFORMATION THAT IS PROPRIETARY TO MOLEX ELECTRONIC TECHNOLOGIES, LLC AND SHOULD NOT BE USED WITHOUT WRITTEN PERMISSION									
FUNCTIONAL SYMBOLS	THIS DRAWING CONTAINS INFORMATION THAT IS PROPRIETARY TO MOLEX ELECTRONIC TECHNOLOGIES, LLC AND SHOULD NOT BE USED WITHOUT WRITTEN PERMISSION	SCALE	CURRENT REV DESC: SEE REVISION TABLE						
$\frac{F}{A} = 0$	mm	3.5:1	EC NO: 707270 DRWN: PKH CHK'D: TKUMARKC APPR: SCHIEN INITIAL REVISION: DRWN: PKH APPR: SCHIEN						
$\frac{F}{C} = 0$	GENERAL TOLERANCES (UNLESS SPECIFIED)								
$\frac{F}{P} = 0$	ANGULAR TOL $\pm 1.0^\circ$								
DIVISIONAL SYMBOLS	4 PLACES \pm	2022/04/13							
	3 PLACES \pm	2022/05/25	PRODUCT CUSTOMER DRAWING						
	2 PLACES ± 0.15	2022/06/01	DOCUMENT NUMBER			DOC TYPE	DOC PART	REVISION	
	1 PLACE ± 0.25	2022/04/13	747548105			PSD	ASY	A	
	0 PLACES \pm	2022/06/01	MATERIAL NUMBER		CUSTOMER		SHEET NUMBER		
	DRAFT WHERE APPLICABLE MUST REMAIN WITHIN DIMENSIONS		THIRD ANGLE PROJECTION		DRAWING	SERIES	MATERIAL NUMBER	CUSTOMER	SHEET NUMBER
					C-SIZE	74754	747548105		3 OF 4

molex

SFP+ 1X1 CAGE ASSEMBLY PRESS FIT TYPE,
WITH SUS EMI SPRING FINGERS

REV	DATE	DESCRIPTION
A	2022/05/25	INITIAL RELEASE

FUNCTIONAL SYMBOLS $\frac{F}{A} = 0$ $\frac{F}{C} = 0$ $\frac{F}{P} = 0$	THIS DRAWING CONTAINS INFORMATION THAT IS PROPRIETARY TO MOLEX ELECTRONIC TECHNOLOGIES, LLC AND SHOULD NOT BE USED WITHOUT WRITTEN PERMISSION		CURRENT REV DESC: SEE REVISION TABLE		
	DIMENSION UNITS: mm SCALE: 1:1	GENERAL TOLERANCES (UNLESS SPECIFIED) ANGULAR TOL $\pm 1.0^\circ$		EC NO: 707270 DRWN: PKH 2022/04/13 CHK'D: TKUMARKC 2022/05/25 APPR: SCHIEN 2022/06/01	
DIVISIONAL SYMBOLS 4 PLACES \pm 3 PLACES \pm 2 PLACES ± 0.15 1 PLACE ± 0.25 0 PLACES \pm	DRAFT WHERE APPLICABLE MUST REMAIN WITHIN DIMENSIONS		THIRD ANGLE PROJECTION 	DRAWING: C-SIZE SERIES: 74754	PRODUCT CUSTOMER DRAWING DOCUMENT NUMBER: 747548105 DOC TYPE: PSD DOC PART: ASY REVISION: A
MATERIAL NUMBER: 747548105		CUSTOMER:		SHEET NUMBER: 4 OF 4	