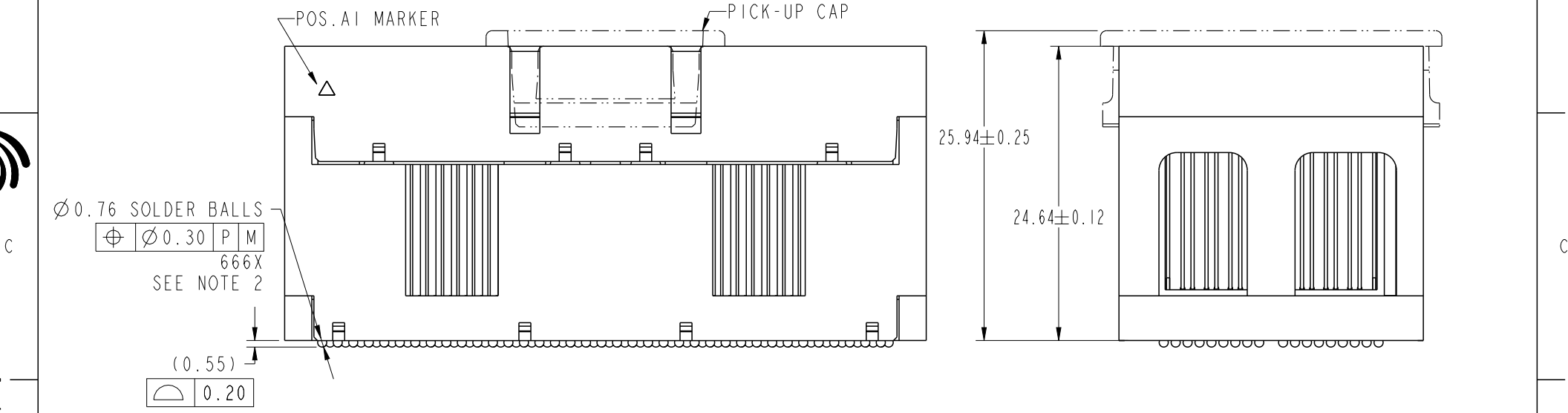
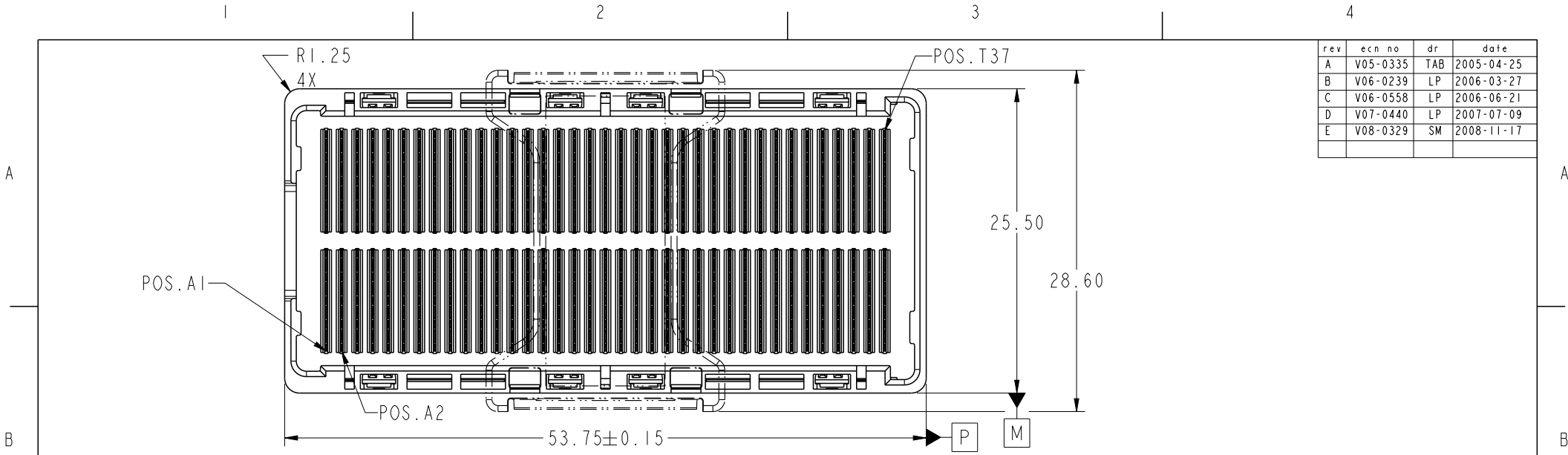


rev	ecn no	dr	date
A	V05-0335	TAB	2005-04-25
B	V06-0239	LP	2006-03-27
C	V06-0558	LP	2006-06-21
D	V07-0440	LP	2007-07-09
E	V08-0329	SM	2008-11-17



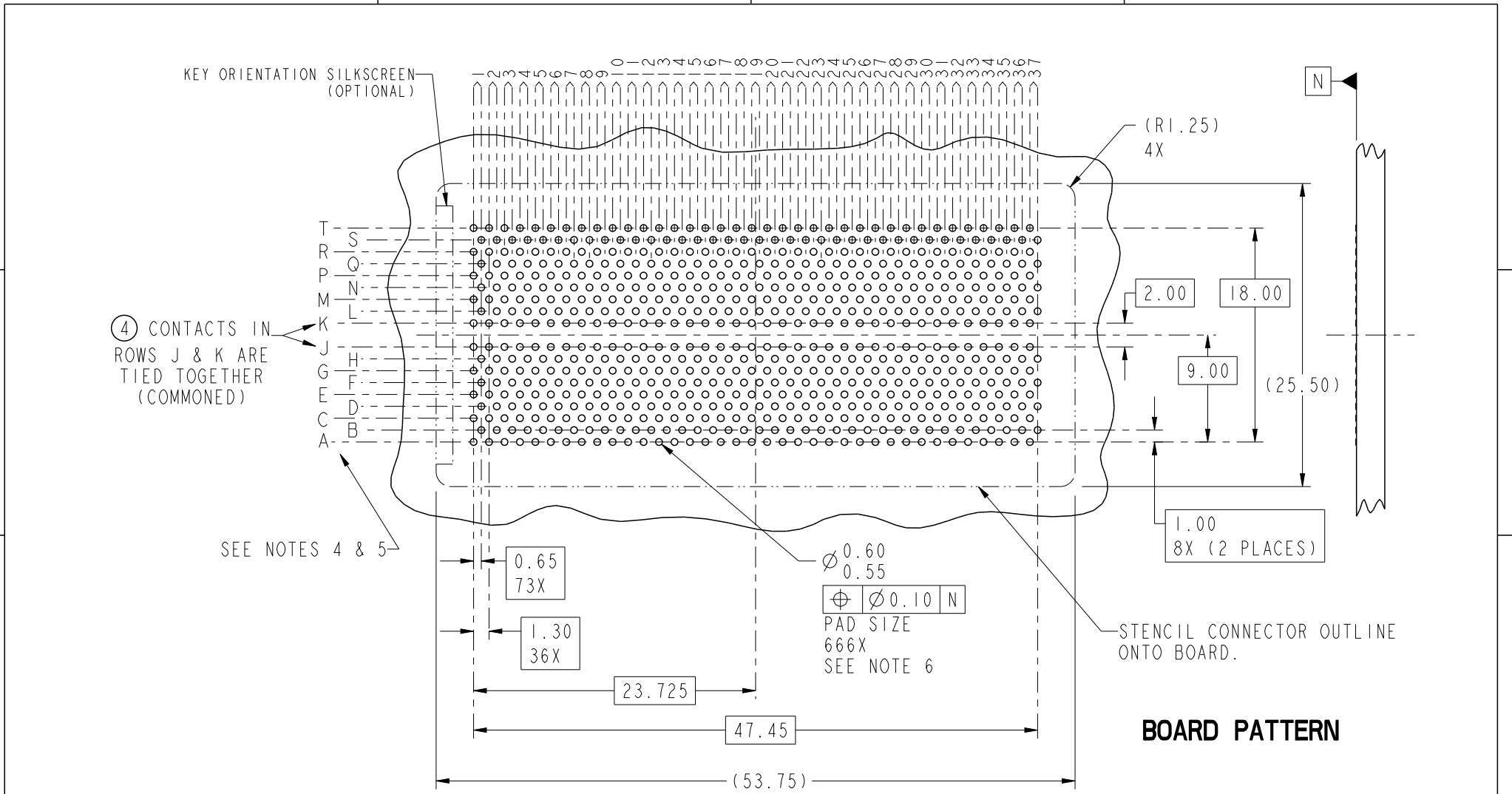
Copyright FCI.

spec ref	*	dr	Bill Lin	2010/02/02	projection 	mm ←→	size	A4	scale	1:2
tolerance std	TOLERANCES UNLESS OTHERWISE SPECIFIED	eng	Nickor Zuo	2011/05/27			ecn no	ELX-DG-003943-1		
ASME Y14.5		chr	Alex Cao	2011/06/24			product family	GIG-Array		
-		appr	Pei-Ming Zheng	2011/06/27			rel level	Released		
surface	✓	FCI	title			GIG-Array	dwg no	10054784	rev	F
-	linear		0.X	±0.30	25mm PLUG ASSY. 296 SIG. POS.					
		www.fci.com	cat. no.	*	Product - Customer Drw			sheet 1 of 5		
	angular		0°	±2°						

PrdE File - REV C - 2009-06-09



Copyright FCI.



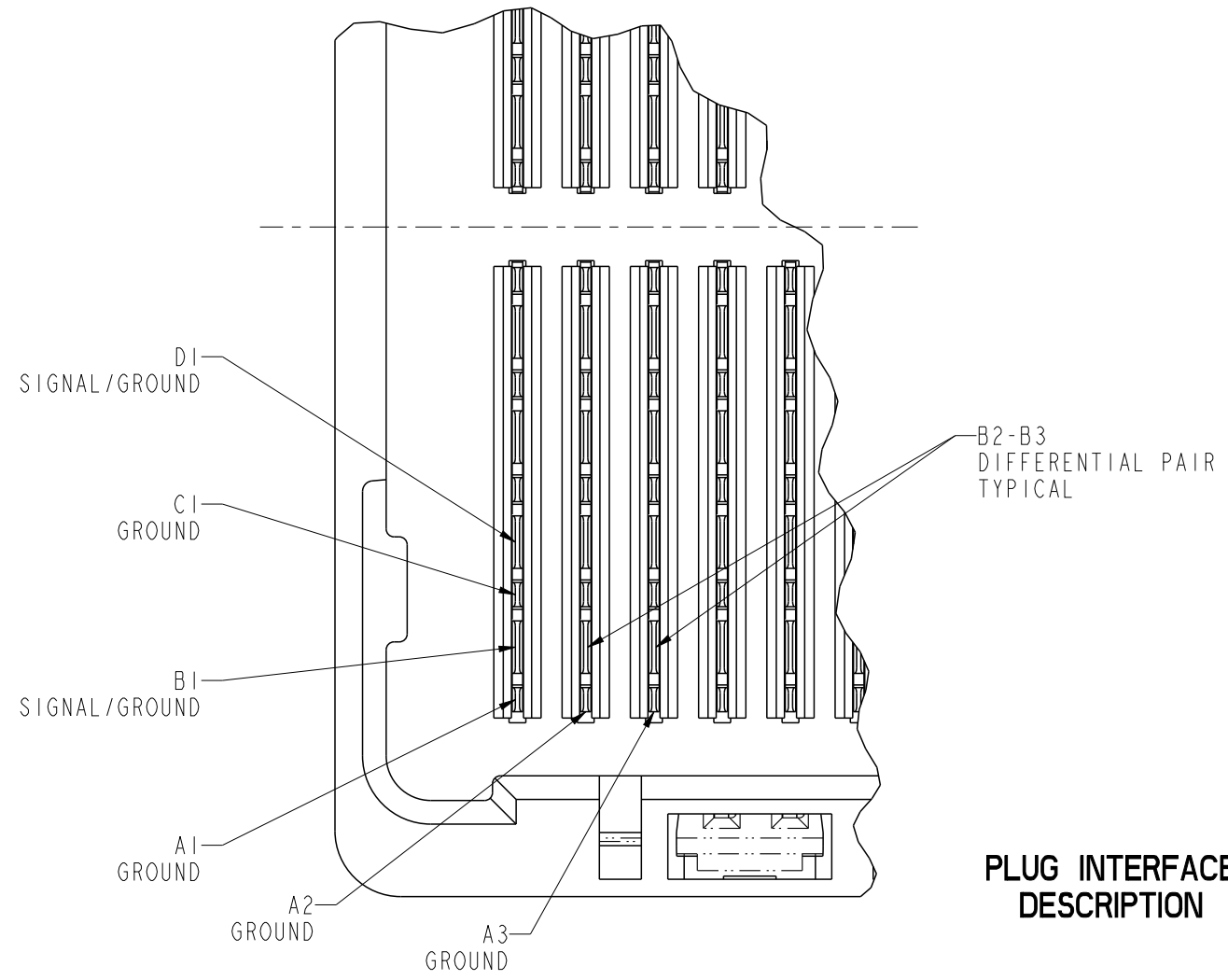
**BOARD PATTERN**

spec ref	*	dr	Bill Lin	2010/02/02	projection	mm	size	A4	scale	1:2
tolerance std	TOLERANCES UNLESS OTHERWISE SPECIFIED	eng	Nickor Zuo	2011/05/27		←→	ecn no	ELX-DG-003943-1	rel level	Released
ASME Y14.5		chr	Alex Cao	2011/06/24						
-		appr	Pei-Ming Zheng	2011/06/27						
surface		linear	FCI							
-	angular	0°	±2°	www.fci.com	cat. no.	*	Product - Customer Drw	sheet 2 of 5		
					title	GIG-Array	dwg no	10054784	rev	F
						25mm PLUG ASSY. 296 SIG. POS.				

PrdE File - REV C - 2009-06-09



Copyright FCI.

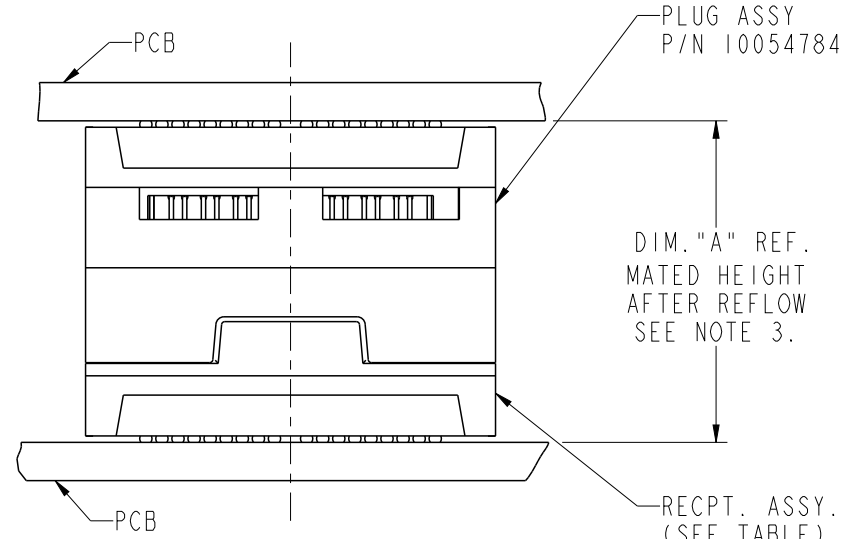
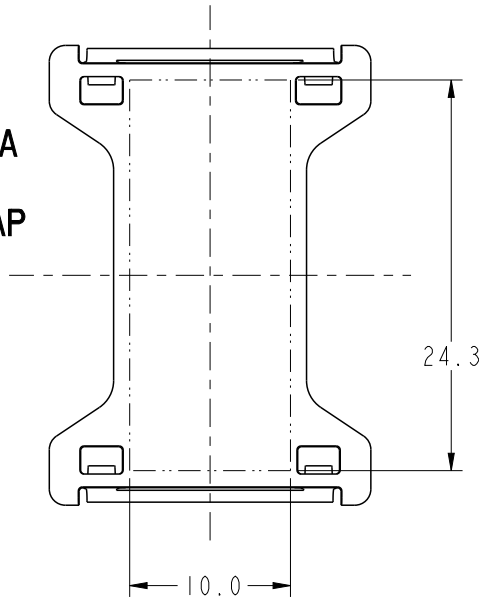


**PLUG INTERFACE DESCRIPTION**

spec ref	*	dr	Bill Lin	2010/02/02	projection		size	A4	scale	1:2
tolerance std	TOLERANCES UNLESS OTHERWISE SPECIFIED	eng	Nickor Zuo	2011/05/27			ecn no	ELX-DG-003943-1		
ASME Y14.5		chr	Alex Cao	2011/06/24				product family	GIG-Array	rel level
-		appr	Pei-Ming Zheng	2011/06/27						
surface		linear	0.X	±0.30		title GIG-Array 25mm PLUG ASSY. 296 SIG. POS.	dwg no 10054784	rev		F
-			0.XXX	±0.10						
		angular	0°	±2°	www.fci.com	cat. no.	*	Product - Customer Drw		sheet 3 of 5

ProE File - REV C - 2009-06-09

FLAT AREA  
FOR  
PICK-UP CAP



END VIEW OF MATED CONNECTORS

DIM. "A"	RECPT. ASSY. P/N
30	55701
35	10032376
40	55733

NOT TOOLED

spec ref *		dr <b>Bill Lin</b>		2010/02/02	projection 	mm 	size	A4	scale	1:2			
tolerance std ASME Y14.5		eng <b>Nickor Zuo</b>		2011/05/27			ecn no	ELX-DG-003943-1					
-		chr <b>Alex Cao</b>		2011/06/24			rel level		<b>Released</b>				
surface		linear	0.X	±0.30	 <b>www.fci.com</b>	title <b>GIG-Array</b> 25mm PLUG ASSY. 296 SIG. POS.	dwg no 10054784	rev <b>F</b>	-				
			0.XX	±0.10					cat. no.	*	Product - Customer Drw		sheet 4 of 5
		angular	0°	±2°									

PRODUCT NUMBER	SOLDER BALL COMPOSITION	CONTACT PLATING PERFORMANCE LEVEL
10054784-001	STANDARD (EUTECTIC)	PERFORMANCE-BASED PLATING, QUALIFIED TO MEET THE REQUIREMENTS OF FCI PRODUCT SPECIFICATION GS-12-192, INCLUDING TELCORDIA CENTRAL OFFICE
10054784-001LF	LEADFREE	

**NOTES:**

- ① MAT'L:  
HOUSING: LCP  
CONTACT: COPPER ALLOY  
PLATING (CONTACT): Au OVER Ni.  
UL RATING: 94 V-0  
SOLDER BALL: (SEE TABLE) EUTECTIC SnPb OR LEADFREE 95.5 Sn/4Ag/0.5Cu
- ② SOLDER BALLS WILL NOT BE PERFECT SPHERICAL SHAPE DUE TO REFLOW ATTACHMENT.
- ③ MATED HEIGHT EFFECTED BY CUSTOMERS' PCB PAD SIZE, PLATING, SOLDER REFLOW PROFILE & SOLDER PASTE.
- ④ CONTACTS IN ROWS A,C,E,G,J,K,M,P,R AND T ARE SINGLE BEAM CONTACTS USED AS GROUND PINS.  
(NOTE: CONTACTS IN ROWS J & K ARE TIED TOGETHER [COMMONED])
- ⑤ CONTACTS IN ROWS B,D,F,H,L,N,Q AND S ARE DUAL BEAM CONTACTS, TYPICALLY USED AS SIGNAL PINS.
- ⑥ SPECIFIED POSITIONAL TOLERANCE DEFINES PAD TO PAD LOCATION WITHIN LAND PATTERN. POSITIONAL TOLERANCE OF LAND PATTERN TO FUDICIAL MARKS OR PCB DATUMS SHALL BE DEFINED BY CUSTOMER. FOR RECOMMENDED PRODUCT APPLICATION AND PCB DESIGN DETAILS, SEE DOC. NO. GS-20-016.
- ⑦ FOR PROPER APPLICATION FOLLOW FCI APPLICATION SPECIFICATION GS-20-033 LEADFREE SOLDER BALLS WILL NOT SOLDER PROPERLY IN A LEADED SOLDER PROCESS DUE TO A HIGHER REFLOW TEMPERATURE, LEADFREE PRODUCT IS THEREFORE NOT BACKWARDS COMPATIBLE WITH LEADED OR SOME SOLDERING APPLICATIONS. REFERENCE FCI APPLICATION SPECIFICATION.
- ⑧ THIS PRODUCT MEETS THE EUROPEAN UNION DIRECTIVES AND OTHER COUNTRY REGULATIONS AS DESCRIBED IN GS-22-008 PRODUCT MEETING THIS DIRECTIVE IS IDENTIFIED IN THE LOT CODE NUMBER MARKED ON EACH PART BY HAVING AN "X" IN THE SEVENTH CHARACTER POSITION.



Copyright FCI.

spec ref	*	dr	Bill Lin	2010/02/02	projection 	mm 	size	A4	scale	1:2
tolerance std	TOLERANCES UNLESS OTHERWISE SPECIFIED	eng	Nickor Zuo	2011/05/27			ecn no	ELX-DG-003943-1		
ASME Y14.5		chr	Alex Cao	2011/06/24				rel level	Released	
-		appr	Pei-Ming Zheng	2011/06/27	product family	GIG-Array				
surface	linear	0.X	±0.30		title	GIG-Array	dwg no	10054784	rev	F
		0.XX	±0.10							
		0.XXX	±0.05							
-	angular	0°	±2°	www.fci.com	cat. no.	*	Product - Customer Drw	sheet 5 of 5		