

# HC-STA-RJ45GC-BWSC-PLRBK - Connector set



1249559

<https://www.phoenixcontact.com/us/products/1249559>

Please be informed that the data shown in this PDF document is generated from our online catalog. Please find the complete data in the user documentation. Our general terms of use for downloads are valid.

Connector set, number of positions: 8, CAT6, material: PA, Gender changer



## Your advantages

- Lower costs than metal version
- Labeling option using 9 x 20 mm marking label
- Low weight
- Lower risk of condensation

## Commercial data

Item number	1249559
Packing unit	1 pc
Minimum order quantity	1 pc
Sales key	BF63
Product key	BF7AFX
GTIN	4063151355029
Weight per piece (including packing)	37.5 g
Weight per piece (excluding packing)	37 g
Customs tariff number	85366990
Country of origin	CN

# HC-STA-RJ45GC-BWSC-PLRBK - Connector set



1249559

<https://www.phoenixcontact.com/us/products/1249559>

## Set consists of

### HC-STA-D07-BWSCM-PL-BK - Housing

1419278

<https://www.phoenixcontact.com/us/products/1419278>



Panel mounting base D7, with single locking latch, material: PA, protective cover material: PA, height: 25.5 mm, cable gland: none, protective cover: yes, Standard, for pin inserts

---

### HC-Q-I-RJ45 GC-F/F - Contact insert

1422590

<https://www.phoenixcontact.com/us/products/1422590>



Contact insert, number of positions: RJ45, size: D7, type : RJ45, Socket, 50 V, 1 A, application: Data, Gender changer

## Technical data

### Notes

General	Connectors may be operated only when there is no load/voltage.
---------	--

### Product properties

Type	D7
Product type	Connector set
Sensor type	Ethernet
Number of positions	8
Connection profile	RJ45
Application	Data
Type	RJ45
Protective cover	yes
Series	HC-D

### Insulation characteristics

Overvoltage category	III
Degree of pollution	3

### Electrical properties

Rated voltage (III/3)	50 V
Rated surge voltage	0.8 kV
Rated current	1 A
Insulation resistance	100 MΩ
Nominal voltage $U_N$	50 V
Transmission characteristics (category)	CAT6

### Interfaces

Signal type/category	Ethernet CAT6
----------------------	---------------

### Material specifications

Material	PA
Flammability rating according to UL 94	V0
Seal material	NBR
Contact material	Copper alloy
Contact surface material	Au
Contact carrier material	PC
Locking latch material	PA
Impact strength	IK06
Housing material	PA

### Cable/line

Signal type/category	Ethernet CAT6
----------------------	---------------

# HC-STA-RJ45GC-BWSC-PLRBK - Connector set



1249559

<https://www.phoenixcontact.com/us/products/1249559>

External cable diameter ( )	4 mm ... 7 mm
-----------------------------	---------------

## Environmental and real-life conditions

### Ambient conditions

Degree of protection	IP66
Impact strength	IK06
Ambient temperature (operation)	-40 °C ... 70 °C

## Mounting

Mounting type	Wall mounting
---------------	---------------

# HC-STA-RJ45GC-BWSC-PLRBK - Connector set

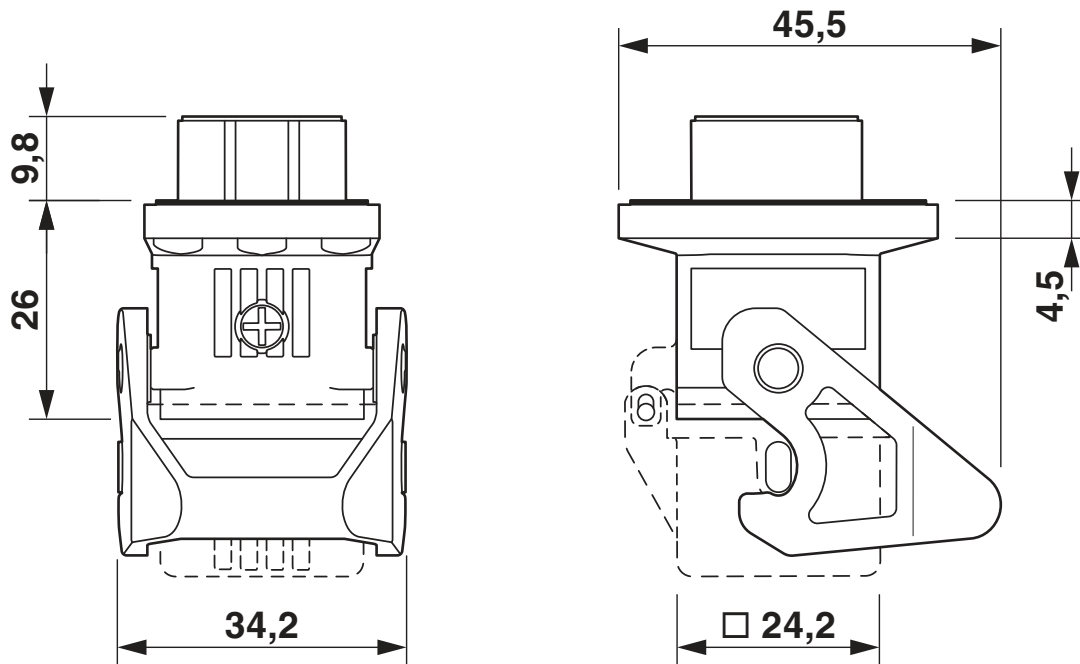


1249559

<https://www.phoenixcontact.com/us/products/1249559>

## Drawings

Dimensional drawing



Dimensional drawing

# HC-STA-RJ45GC-BWSC-PLRBK - Connector set



1249559

<https://www.phoenixcontact.com/us/products/1249559>

## Classifications

### ECLASS

ECLASS-11.0	27440101
ECLASS-12.0	27440113
ECLASS-13.0	27440113

### ETIM

ETIM 8.0	EC002636
----------	----------

### UNSPSC

UNSPSC 21.0	39121400
-------------	----------

# HC-STA-RJ45GC-BWSC-PLRBK - Connector set



1249559

<https://www.phoenixcontact.com/us/products/1249559>

## Environmental product compliance

China RoHS	Environmentally friendly use period: unlimited = EFUP-e
	No hazardous substances above threshold values

# HC-STA-RJ45GC-BWSC-PLRBK - Connector set



1249559

<https://www.phoenixcontact.com/us/products/1249559>

## Accessories

### HC-STA-RJ45CT-HT-M20-PLRBK - Connector set

1249554

<https://www.phoenixcontact.com/us/products/1249554>



Connector set, number of positions: 8, CAT6<sub>A</sub>, material: PA, connection method: Crimp connection, connection cross section: AWG 24- 27, cable outlet: straight, With RJ45 contact insert, with slotted seal

---

### HC-STA-RJ45I-23-HT-M20-PLRBK - Connector set

1249555

<https://www.phoenixcontact.com/us/products/1249555>



Connector set, number of positions: 8, 1 Gbps, CAT5 (IEC 11801:2002), material: PA, connection method: IDC fast connection, connection cross section: AWG 23- 22, cable outlet: straight, With RJ45 contact insert, with slotted seal



## HC-STA-RJ45GC-BWSC-PLRBK - Connector set

1249559

<https://www.phoenixcontact.com/us/products/1249559>



## HC-STA-RJ45PC-HT-M20-PLRBK - Connector set

1249556

<https://www.phoenixcontact.com/us/products/1249556>



Connector set, material: PA, cable outlet: straight, with slotted seal, with adapter for patch cables

---

## HC-STA-RJ45CT-HS-M20-PLRBK - Connector set

1249557

<https://www.phoenixcontact.com/us/products/1249557>



Connector set, number of positions: 8, CAT6<sub>A</sub>, material: PA, connection method: Crimp connection, connection cross section: AWG 24- 27, cable outlet: lateral, With RJ45 contact insert, with slotted seal

# HC-STA-RJ45GC-BWSC-PLRBK - Connector set

1249559

<https://www.phoenixcontact.com/us/products/1249559>



## HC-STA-RJ45PC-HS-M20-PLRBK - Connector set

1249558

<https://www.phoenixcontact.com/us/products/1249558>



Connector set, material: PA, cable outlet: lateral, with slotted seal, with adapter for patch cables

---

Phoenix Contact 2023 © - all rights reserved

<https://www.phoenixcontact.com>

Phoenix Contact USA  
586 Fulling Mill Road  
Middletown, PA 17057, United States  
(+717) 944-1300  
[info@phoenixcon.com](mailto:info@phoenixcon.com)