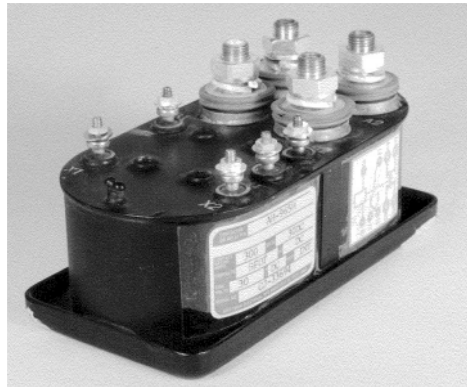


AH-965 Series, Rated up to 300 Amps, 30 Vdc

Product Facts

- SPDT NO, SPST NC
- Hermetically sealed
- Auxiliary contacts available
- Meets many requirements of MIL-PRF-6106



Performance Data

Electrical Characteristics

Contact Arrangement —

SPDT, Double Break

Rated Operating Voltage —

30 Vdc

Resistive Rating — 300 Amps

Carry Only for 30 sec — 1,000 Amps

Carry Only, Inrush — 1,500 Amps

Rupture Rating — 3,000 Amps

General Characteristics

Temperature Range —

-65°C to +120°C

Operating Cycles (Life) at Rated

Resistive Load, Min. — 50,000 cycles

Operating Cycles (Life)

Mechanical, Min. — 100,000 cycles

Dielectric Strength —

All Circuits to Ground — 1,250 Vrms

Circuit to Circuit — 1,250 Vrms

Coil to Ground and Aux. Contacts —

1,000 Vrms

Altitude, Max. — 50,000 ft.

Weight, Max. — 2.88 lbs

Coil Characteristics

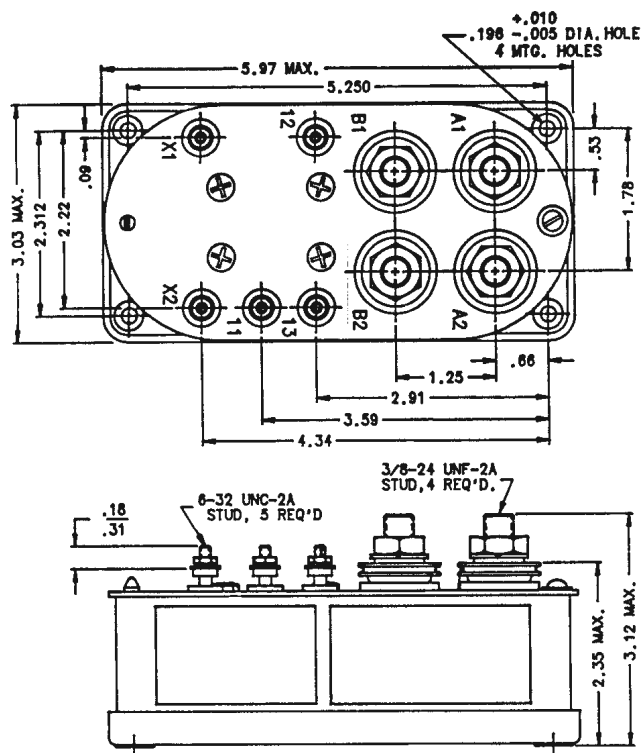
Duty Cycle — Intermittent, 3 minutes max.

Operating Voltage, Max. — 30 Vdc

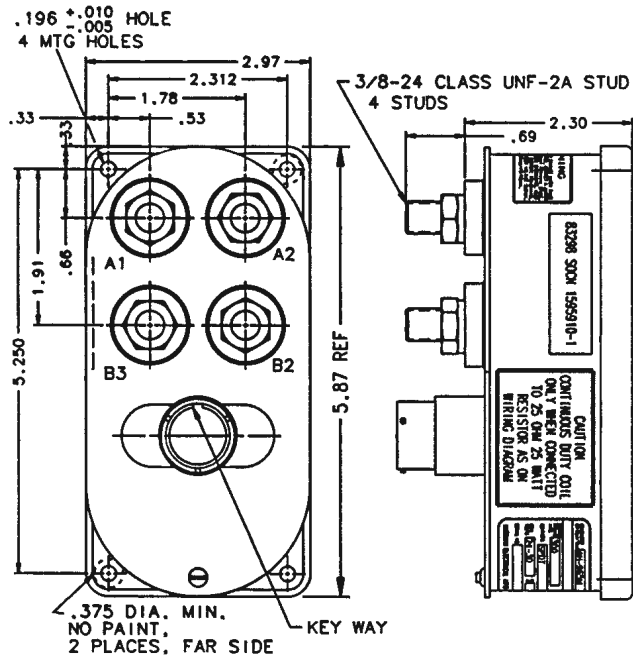
Pickup Voltage, Max. Hot — 20 Vdc

Dropout Voltage — 0.5 to 5 Vdc

AH-965 Series, Rated up to 300 Amps, 30 Vdc (Continued)

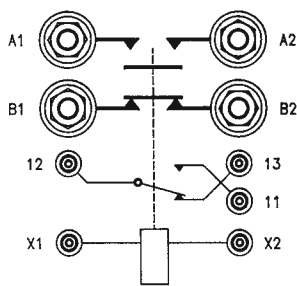


Mounting Style A

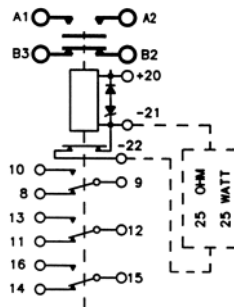


Mounting Style B

Circuit Configurations (Consult factory for other available circuit configurations)



Circuit Configuration 1



Circuit Configuration 2

HARTMAN Part Number	Construction Type	Mounting Style	Coil Type	Circuit Config.	TE Part Number
AH-965H	Hermetically Sealed	A	Intermittent	1	1616084-1
AH-965M	Hermetically Sealed	B	Continuous w/ External 25 Ohm/25 Watt Resistor Connected	2	1616084-2

For factory-direct application assistance, phone 419-521-9500 or fax 419-526-2749.