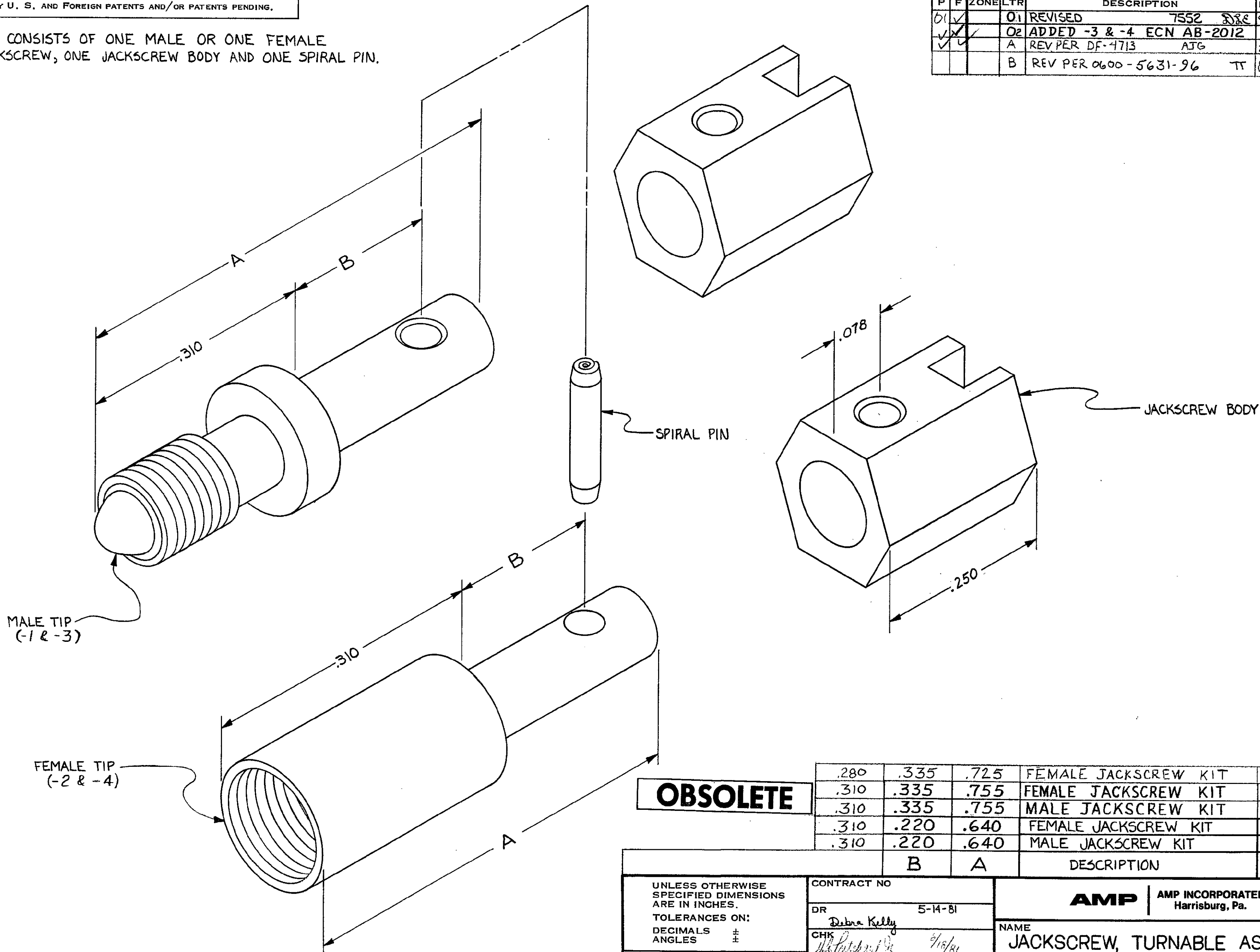


© COPYRIGHT 1981 BY AMP INCORPORATED, HARRISBURG, PA. ALL INTERNATIONAL RIGHTS RESERVED. AMP INCORPORATED PRODUCTS COVERED BY U. S. AND FOREIGN PATENTS AND/OR PATENTS PENDING.

		REVISIONS				
P	F	ZONE	LTR	DESCRIPTION	DATE	APPROVED
01	✓		01	REVISED 7552 D&E	9-81	WAP
✓	✓		02	ADDED -3 & -4 ECN AB-2012	11-86	WAP EAM
✓	✓		A	REV PER DF-4713 ATG	7-91	ATG
			B	REV PER 0600-5631-96 TT	8-98	TT

I. KIT CONSISTS OF ONE MALE OR ONE FEMALE JACKSCREW, ONE JACKSCREW BODY AND ONE SPIRAL PIN.



**OBSOLETE**

.280	.335	.725	FEMALE JACKSCREW KIT	532021-5
.310	.335	.755	FEMALE JACKSCREW KIT	532021-4
.310	.335	.755	MALE JACKSCREW KIT	↑ -3
.310	.220	.640	FEMALE JACKSCREW KIT	↓ -2
.310	.220	.640	MALE JACKSCREW KIT	532021-1

		B	A	DESCRIPTION	PART NO
UNLESS OTHERWISE SPECIFIED DIMENSIONS ARE IN INCHES. TOLERANCES ON: DECIMALS ± ANGLES ±	CONTRACT NO	AMP   AMP INCORPORATED Harrisburg, Pa.			
	DR	Debra Kelly 5-14-81			
	CHK	M. Hutchins 4/16/81			
	APPD	E.T. Parsons 6-18-81			
MATERIAL	STAINLESS STEEL				
FINISH	PASSIVATED				
		SIZE	CODE	IDENT NO	DRAWING NO
		C	00779		532021
		SCALE	10:1		SHEET 1 of 1