

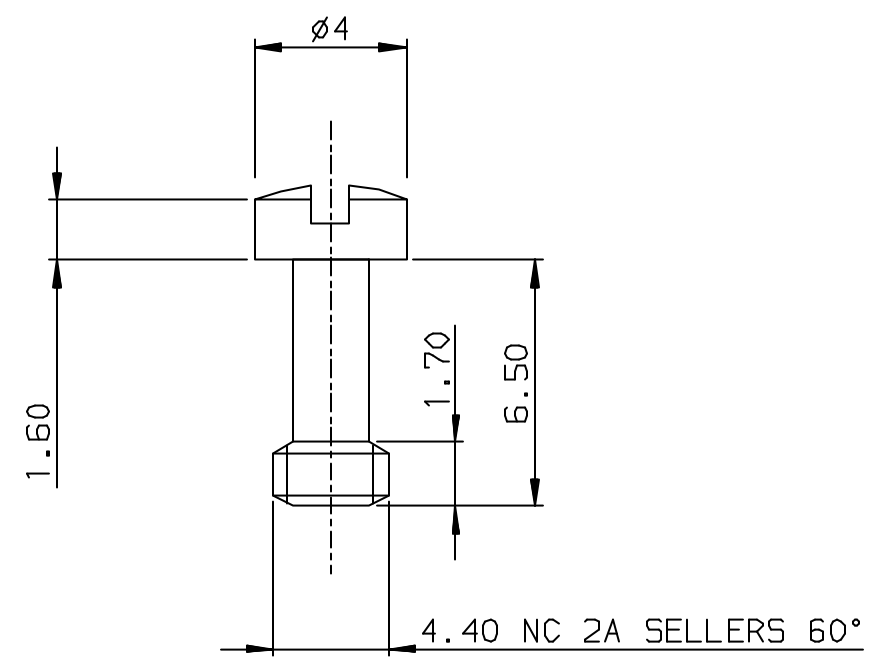
Tous droits strictement réservés. Reproduction ou communication a des tiers interdite sous quelque forme que ce soit sans autorisation écrite du propriétaire. Propriété de c FCI. Droits de reproduction FCI.

FCI

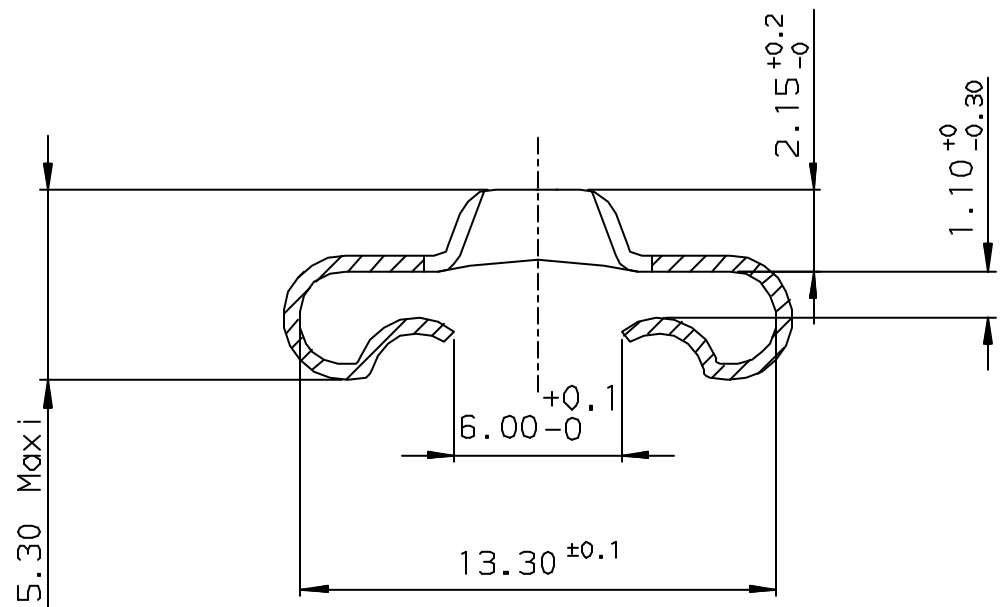
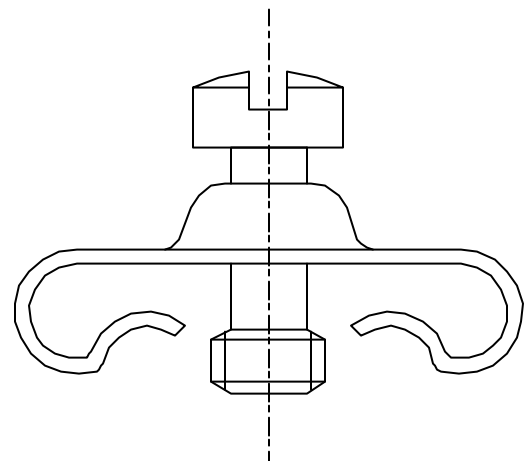
All rights strictly reserved. Reproduction or issue to third parties in any form whatever is not permitted without written authority from the proprietor. Property of FCI. Copyright FCI.

NOTES

Pieces assembly
 Packaging : per 100 piece
 Material : steel
 Thread : UNC 4.40



VUE ASSEMBLE



Part number **863005ALF**

NOTE1:RoHS INFORMATIONS

- The "LF" product meets European union Directives and other country regulations as described in GS-22-008.
- The product is not intended to be exposed to a manufacturing solder process.
- Plating: Zinc Cr3+, white color.
- Packaging spec: see GS-14-920.

European view

FCI	www.fciconnect.com		tolerance	projection	mm
	ISO 1302	ISO 406	ISO 1101		
Dr	GOISNARD	12/01/06	Product family	D-SUB 571	size
Eng	PESSON	12/01/06	Spec ref	-	A3
Chr	LEGARE	12/01/06	Material	SEE NOTES	ECN
Appr	LEGARE	12/01/06			LS05-0123
title			MALE SCREWLOCK FOR HOUSINGS		dwg no
			9 TO 25 Pts (P ET S)		
catalog no			- CUSTOMER COPY		Rev.
					A
			sheet 1 of 1		

Ltr	ecn no	dr	date
A	LS05-0123	LGO	12/01/06
-	-	-	-
-	-	-	-
-	-	-	-
-	-	-	-