

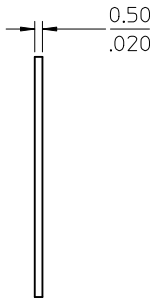
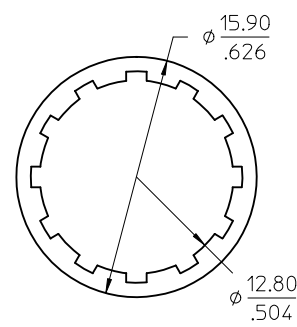
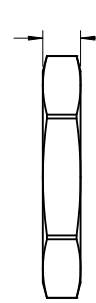
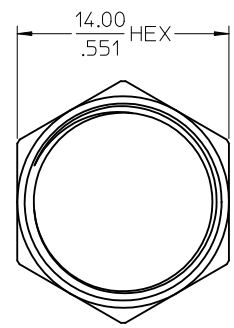
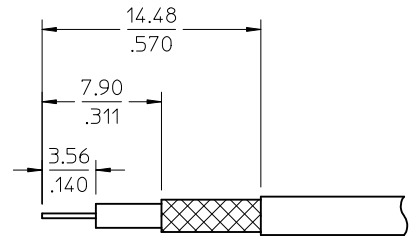
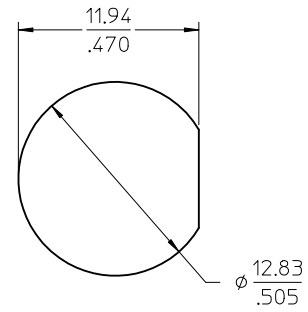
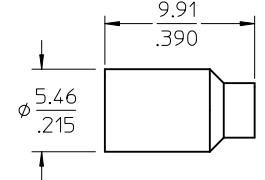
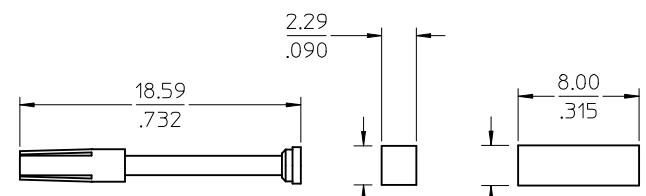
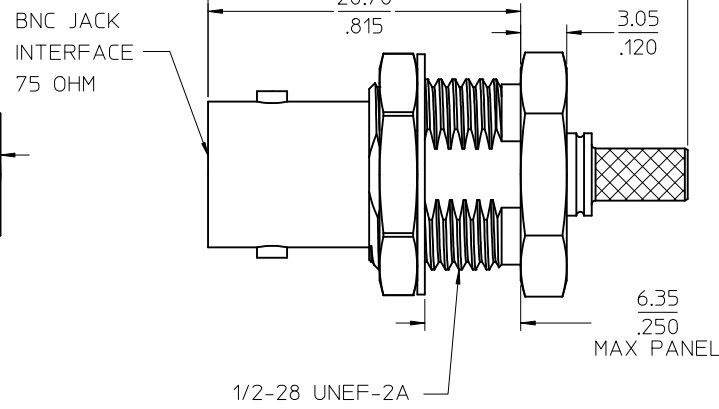
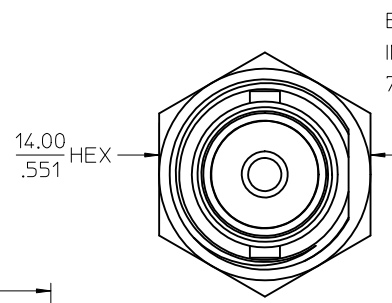
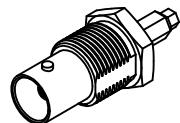
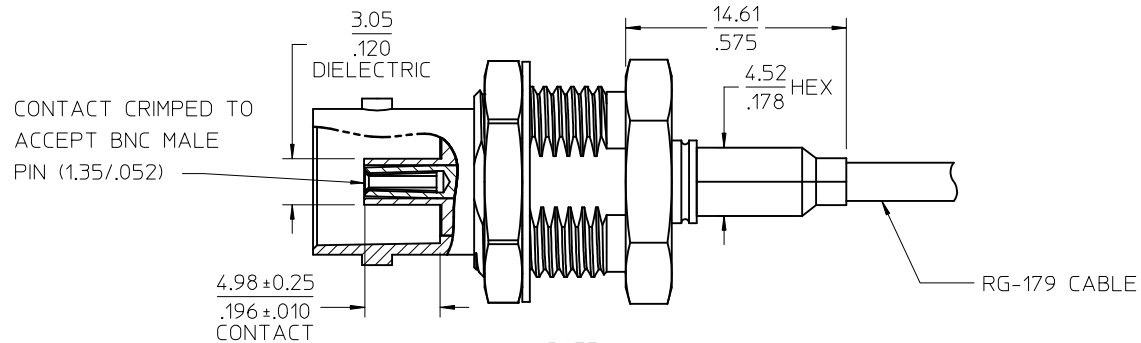
MATERIALS AND FINISHES

BODY, CRIMP TUBE, NUT, TUBE: BRASS
PLATED NICKEL (100 MICROINCHES MIN)

LOCK WASHER: PHOSPHOR BRONZE
PLATED NICKEL (100 MICROINCHES MIN)

CONTACT: PHOSPHOR BRONZE
PLATED GOLD (10 MICROINCHES MIN)

INSULATOR, SLEEVE: TEFLON



PART # 73171-1160

RECOMMENDED CABLE STRIP

MIL-STD-348A, FIG. 301.2	INTERFACE
SPECIFICATION	DESCRIPTION

CHG: DELETE ASSEMBLY SPECIFICATION ADD CABLE VIEW ADD CUTAWAY TO SHOW CONTACT LOCATION, ID, AND INSULATOR OD	EC NO: URF2010-0507	QUALITY SYMBOLS	GENERAL TOLERANCES (UNLESS SPECIFIED)	DIMENSION STYLE	SCALE	DESIGN UNITS	THIRD ANGLE PROJECTION
	DRWN:JWIENER 2010/03/09 CHKD:SSS 2010/03/09 APPR:JWIENER 2010/03/12	DESCRIPTION	4 PLACES ± .005 ± .005 3 PLACES ± .005 ± .005 2 PLACES ± .005 ± .005 1 PLACE ± .005 ± .005	MM/IN	MM/IN	METRIC	THIRD ANGLE PROJECTION
A2			ANGULAR ± 2°	DRAWN BY DATE	TITLE	MOLEX INCORPORATED	
DRAFT WHERE APPLICABLE MUST REMAIN WITHIN DIMENSIONS			MATERIAL NO.	731711160	DOCUMENT NO.	SD-73171-116	SHEET NO. 1 OF 1