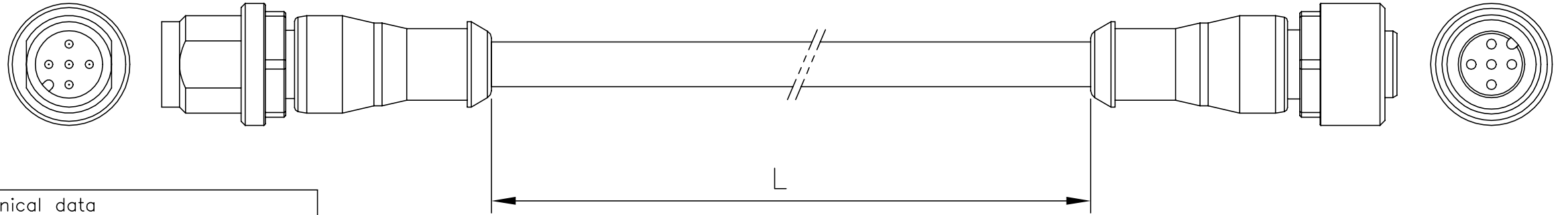


NOTES:  
 Tolerances cable lengths:  
 0m to 0.5m +30mm  
 0.5m to 1.0m +50mm  
 1.0m to 3.0m +100mm  
 >3.0m +1.5%

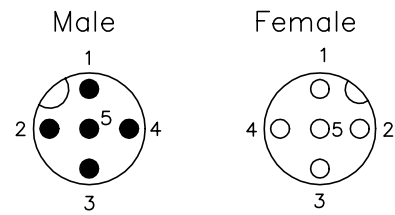
P	LTR	DESCRIPTION	DATE	DWN	APVD
	C2	REVISED PER ECR-20-010327	13AUG2020	AP	BP



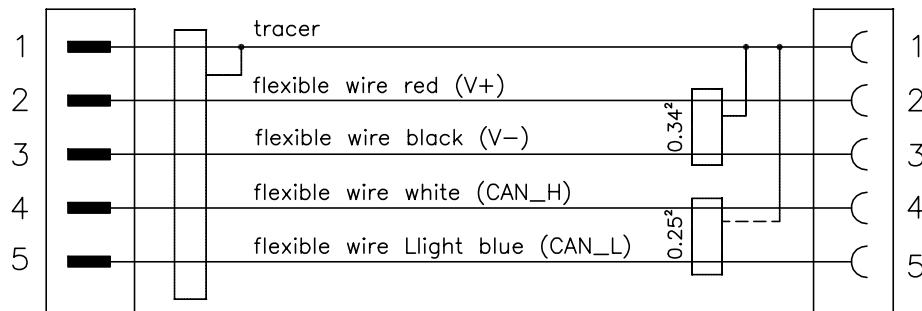
Mechanical data	
Housing:	M12 female straight, black
Screw:	M12x1 zinc pressure die casting surface Ni
Connection:	pluggable screw locking A/F 13 recommended breakaway torque 0.6Nm
Temp. range:	-25°C to +85°C (for connector)
Protection:	IP67

Electrical data	
Nominal voltage:	max. 60V AC/DC (UL rating 30V AC/DC)
Rated current:	max. 4A per contact
Rated impuls voltage:	1.5kV
Pollution degree:	3
Material group:	Categorie I according to IEC 60664-1
Fieldbus:	CANopen / DeviceNet

Contact Layout



Schematic diagram



LENGTH "L"	MATERIAL	JACKET COLOR	TE PN	DESCRIPTION	ITEM
18mtr			1-2289297-7	5x22AWG PUR 18m	17
75mtr			<del>1-2289297-6</del>	5x22AWG PUR 75m	16
60mtr			1-2289297-5	5x22AWG PUR 60m	15
45mtr			1-2289297-4	5x22AWG PUR 45m	14
35mtr			1-2289297-3	5x22AWG PUR 35m	13
25mtr			1-2289297-2	5x22AWG PUR 25m	12
20mtr			1-2289297-1	5x22AWG PUR 20m	11
15.2mtr			1-2289297-0	5x22AWG PUR 15.2m	10
13mtr			<del>2289297-9</del>	5x22AWG PUR 13m	9
12mtr			<del>2289297-8</del>	5x22AWG PUR 12m	8
10.2mtr			2289297-7	5x22AWG PUR 10.2m	7
9mtr			<del>2289297-6</del>	5x22AWG PUR 9m	6
7.7mtr			2289297-5	5x22AWG PUR 7.7m	5
6.2mtr			2289297-4	5x22AWG PUR 6.2m	4
4.7mtr			2289297-3	5x22AWG PUR 4.7m	3
3.2mtr			2289297-2	5x22AWG PUR 3.2m	2
1.5mtr			<del>2289297-1</del>	5x22AWG PUR 1.5m	1

THIS DRAWING IS A CONTROLLED DOCUMENT.

DWN	22DEC2014	TE Connectivity Ltd.
CHK	22DEC2014	
SATHISH KUMAR G		NAME M12 STRGT PLUG TO M12 STRGT SOCKET AA
B.VELDHOVEN		
APVD		PRODUCT SPEC 108-19483
A.VAN ZANDVOORT		
APPLICATION SPEC		SIZE A3
114-32127		
WEIGHT		CAGE CODE 00779
0		
CUSTOMER DRAWING		DRAWING NO C-2289297
SCALE		SHEET 1 of 2
NTS		
REV		C2

DIMENSIONS:	TOLERANCES UNLESS OTHERWISE SPECIFIED:
mm	
	0 PLC ± -
	1 PLC ± -
	2 PLC ± -
	3 PLC ± -
	4 PLC ± -
ANGLES ± -	
MATERIAL	FINISH
-	-

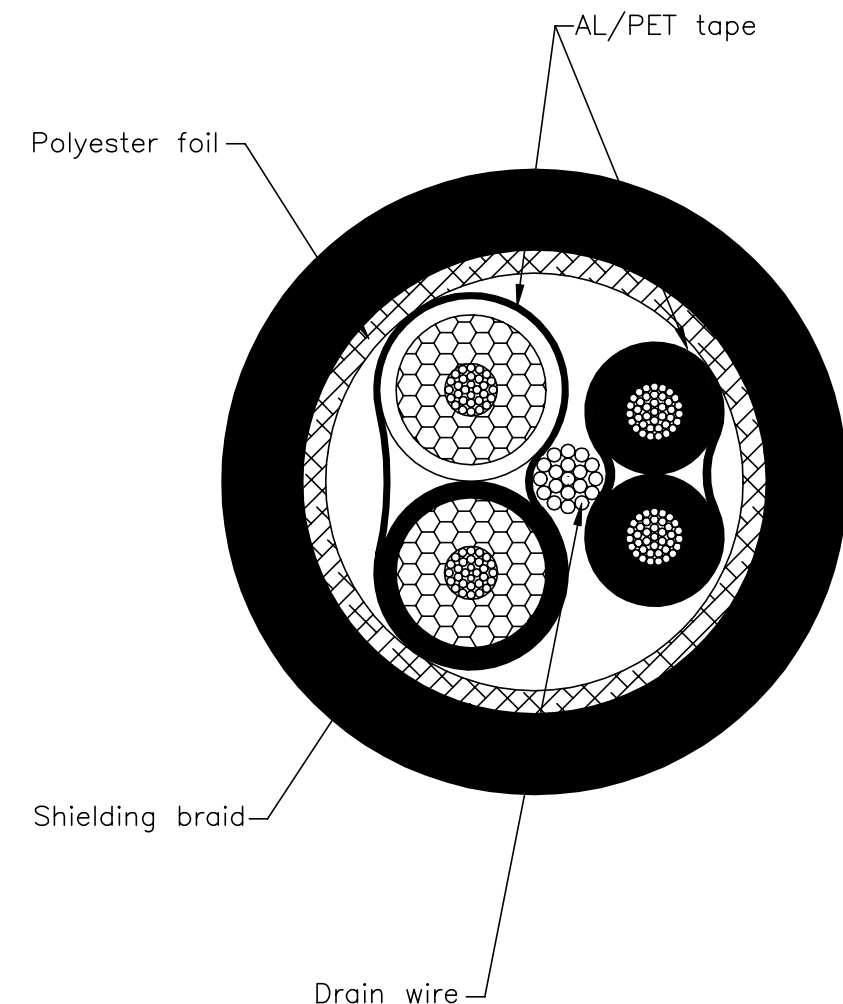
NOTES:

Tolerances cable lengths:  
 0m to 0.5m +30mm  
 0.5m to 1.0m +50mm  
 1.0m to 3.0m +100mm  
 >3.0m +1.5%

P	LTR	DESCRIPTION	DATE	DWN	APVD
-	-	SEE SHEET 1	-	-	-

## CABLE DATA SHEET

<b>Cable diameter</b>	2x0.25+ 2x0.34mm <sup>2</sup>	6.9mm±5%
<b>Conductor colors</b>	DATA PAIR: BLUE, WHITE 0.25mm <sup>2</sup> ; POWER PAIR: BLACK, RED 0.34mm <sup>2</sup>	
<b>Conductor construction</b>	0.25: tinned copper wire 22/19AWG, paired in AL/PET tape 0.34mm <sup>2</sup> : tinned copper wire 24/19AWG, paired in AL/PET tape	
<b>Conductor isolation</b> DIN VDE 0207-7	0.25mm <sup>2</sup> : solid polyethylene outer dia 2.10mm ±5% 0.34mm <sup>2</sup> : foam skin polyethylene outer dia 1.55mm ±5%	
<b>Banding</b>	Polyester foil, tinned copper wires (coverage min. 65%), drain wire 24/19AWG	
<b>Outer jacket</b>	Halogen free PUR, color: Violet	
<b>Resistance</b>	Good oil, petrol and chemical resistance, UV resistance compliant UL1581	
<b>Electrical data</b> Nominal voltage Dielectric strength	300v max operating voltage cond/cond, cond/shield: 1.5kVac/1min	
<b>Temperature range</b>	-40°C to +80°C Fixed -30°C to +70°C Flexible	
<b>Drag chain data</b>	Translation speed: < 3.0m/s; acceleration: < 3.0m/s (proper installation) Bending radius:6x outer dia (static); 12x outer dia (axial drag chain)	
<b>Drag chain data</b> Torsion range	12x outer diameter, max. 5 million cycles Not recommended for torsion	
<b>Permission</b>	UL (AWM style 20233), CSA	
<b>Manufacturer &amp; type</b>	CEAM 0502688	



THIS DRAWING IS A CONTROLLED DOCUMENT.		DWN SATHISH KUMAR G 22DEC2014	<b>TE</b> TE Connectivity Ltd.	
		CHK B.VELDHOVEN 22DEC2014		
DIMENSIONS: mm	TOLERANCES UNLESS OTHERWISE SPECIFIED:	APVD A.VAN ZANDVOORT 22DEC2014	NAME M12 STRGT PLUG TO M12 STRGT SOCKET AA	
	0 PLC ± - 1 PLC ± - 2 PLC ± - 3 PLC ± - 4 PLC ± - ANGLES ± -	PRODUCT SPEC 108-19483	RESTRICTED TO	
MATERIAL	FINISH	APPLICATION SPEC 114-32127	SIZE A3	CAGE CODE 00779
		WEIGHT -	DRAWING NO C=2289297	REV C2
CUSTOMER DRAWING			SCALE NTS	SHEET 2 of 2