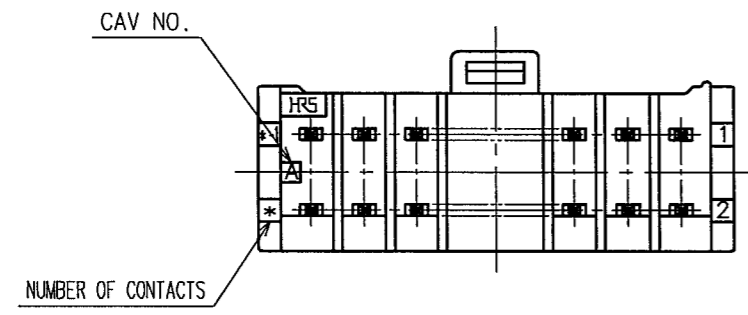
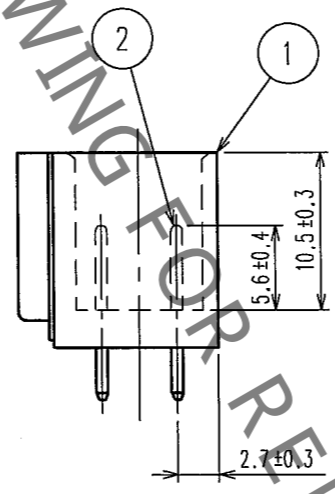
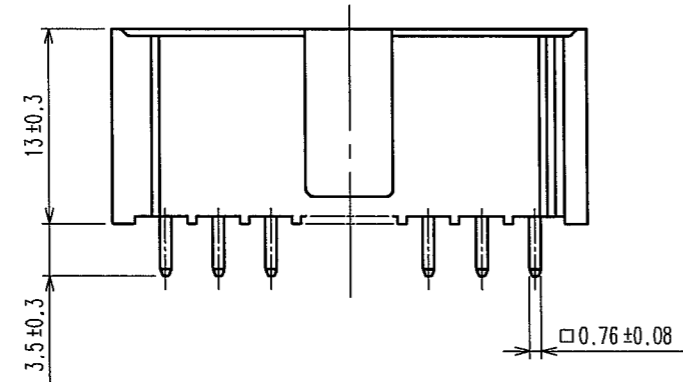
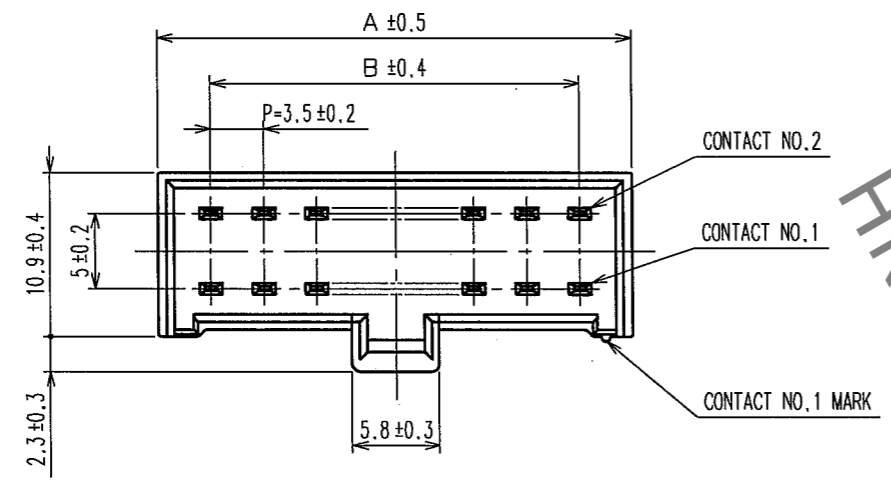


COUNT	DESCRIPTION OF REVISIONS	BY	CHKD	DATE	COUNT	DESCRIPTION OF REVISIONS	BY	CHKD	DATE
△				..	△				..
△				..	△				..
△				..	△				..



CODE NO.	PART NO.	NUMBER OF CONTACTS	A	B
CL547-0083-2-06	MDF6- 4DP-3.5DSA(06)	4	10.5	3.5
CL547-0084-5-06	MDF6- 6DP-3.5DSA(06)	6	14.0	7.0
CL547-0085-8-06	MDF6- 8DP-3.5DSA(06)	8	17.5	10.5
CL547-0086-0-06	MDF6-10DP-3.5DSA(06)	10	21.0	14.0
CL547-0087-3-06	MDF6-12DP-3.5DSA(06)	12	24.5	17.5
CL547-0088-6-06	MDF6-14DP-3.5DSA(06)	14	28.0	21.0
CL547-0089-9-06	MDF6-16DP-3.5DSA(06)	16	31.5	24.5
CL547-0090-8-06	MDF6-18DP-3.5DSA(06)	18	35.0	28.0
CL547-0091-0-06	MDF6-20DP-3.5DSA(06)	20	38.5	31.5

NOTE 1 : RECOMMENDED PC BOARD HOLE DIAMETER $\phi 1.3^{+0.1}_0$

1	POLYAMIDE	WHITE, UL94V-0	2	BRASS	CONTACT AREA: GOLD PLATED 0.2 μ m min LEAD AREA: TIN-COPPER PLATED 1 μ m min UNDER PLATING: NICKEL 1 μ m min	
NO.	MATERIAL	FINISH, REMARKS	NO.	MATERIAL	FINISH, REMARKS	
CODE NO. (OLD) CL		DRAWN M. Nakamoto '04.04.16	DESIGNED H. Umehara '04.04.16	CHECKED J. Ono 04.04.16	APPROVED J. Ono 04.04.16	RELEASED
DRAWING NO. EDC3-160046-11			PART NO. MDF6-*DP-3.5DSA(06)			
SCALE 10: 1			CODE NO. CL547-			
UNITS mm			HRS HIROSE ELECTRIC CO., LTD			

TO