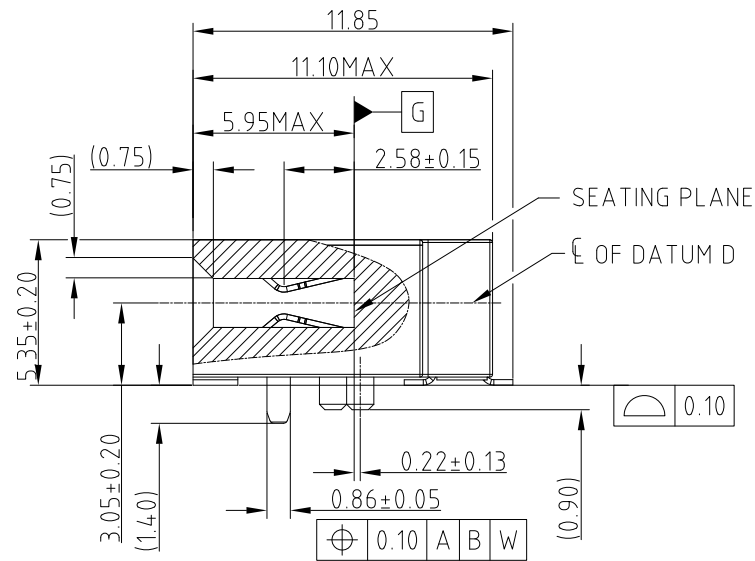
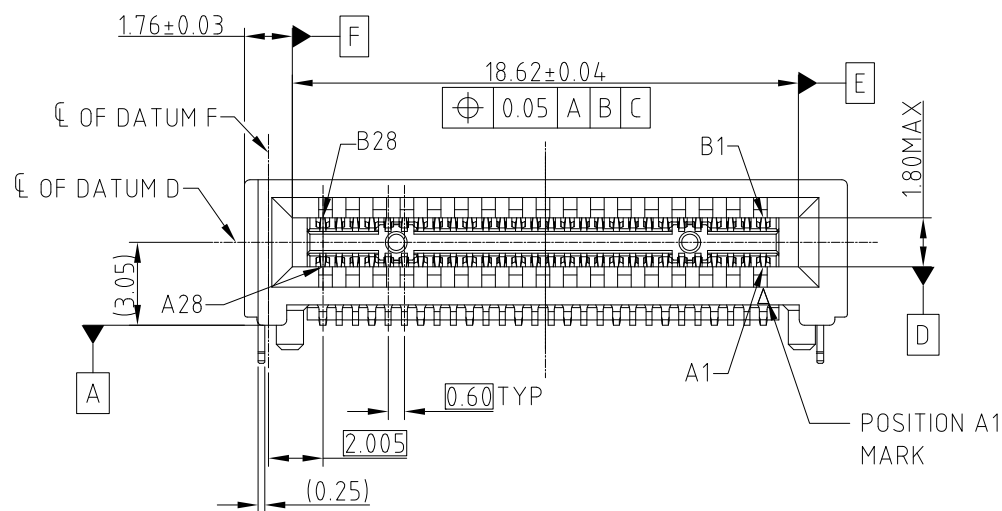
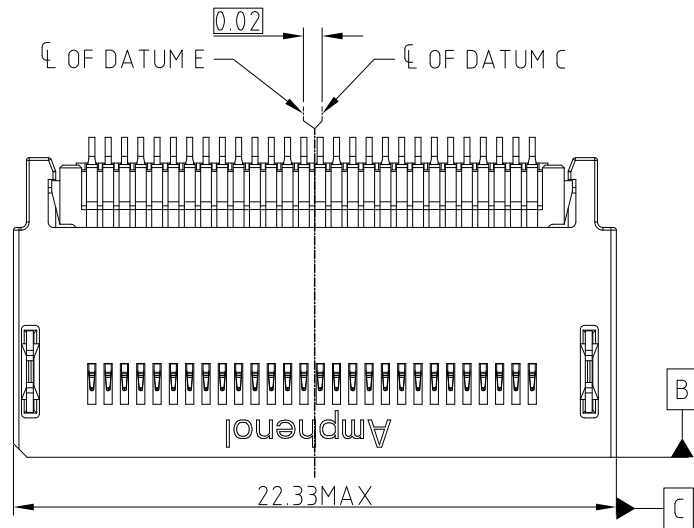


This document is the property of Amphenol Corporation and is delivered on the express condition that it is not to be disclosed, reproduced or used, in whole or in part, for manufacture or sale by anyone other than Amphenol Corporation without its prior consent, & that no right is granted to disclose or to use any information in this document.

CUSTOMER DRAWING

REVISIONS

SYM	ECN	DESCRIPTION	DATE	APPROVED
4	CDXXXX	PRELIMINARY PROPOSAL(FOLLOW GEN Z V0.9E)	Nov.10,2017	YH
5	CDXXXX	ADD AIC MATING CARD SPECIFICATION	May.21,2018	YH
6	CDXXXX	REVISE THE BOARD LOCK LENGTH	Jul.04,2018	YH
7	CDXXXX	UPDATED BY SFF TA 1002 REV 1.1.2	Oct.12,2018	YH
8	CDXXXX	UPDATED BY SFF TA 1002 REV 1.1.3	Nov.08,2018	YH
9	CD1751	OFFICIAL RELEASE AND ADD P/N LIST TABLE	Jul.02,2019	YH

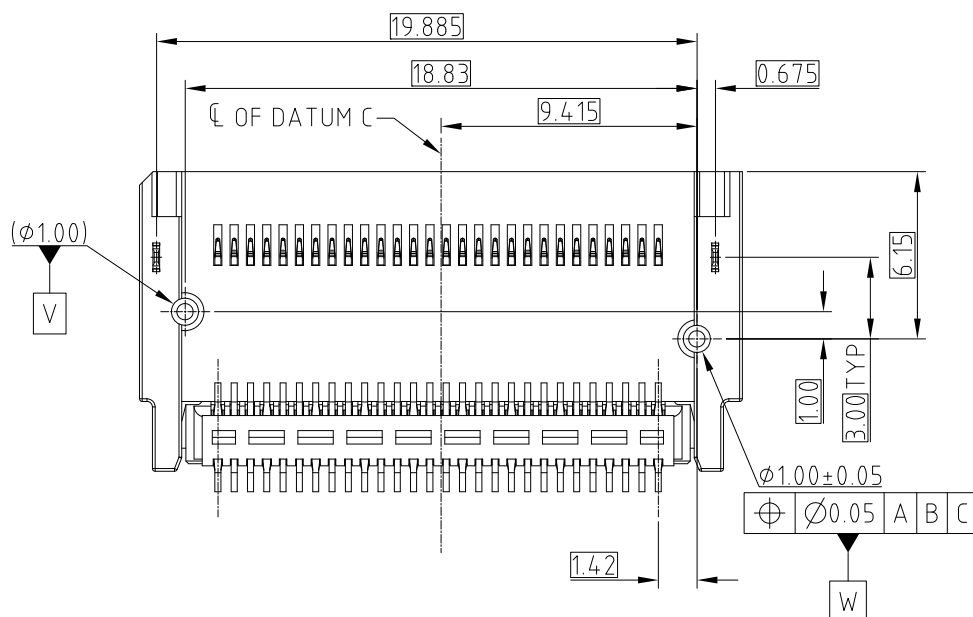


NOTE:

- MATERIAL:**
HOUSING: HIGH TEMPERATURE THERMOPLASTIC BLACK UL94-V0
CONTACT: COPPER ALLOY
BOARD LOCK: COPPER ALLOY
- PLATING:**
CONTACT: Au PLATING AT MATING AREA DETAILS REFER TO BELOW PART NUMBER
2.54µm MIN TIN AT SOLDER AREA 1.27-2.54 µm NICKEL PLATED ALL OVER
BOARD LOCK: 2.54 MIN TIN OVER 1.27-2.54UM NICKEL UNDERPLATED
- ELECTRICAL PERFORMANCE:**
RATED CURRENT: 1.1A/PIN UP TO 12PINS
LLCR:30mΩ MAX, DELTA 15 mΩ.
INSULATION RESISTANCE: 1000MΩ MIN
- MATERIAL SHOULD BE FULFILLED AMPHENOL SPEC# S-SN-002 AND S-SN-004**
- ORDERING PART NUMBER REFER TO BELOW PART NUMBER LIST TABLE**

PART NUMBER	PLATING	CARRIER TAPE PITCH	PACKAGE QUANTITY
ME1005610202014	G/F+PdNi	24	350/REEL 1750/CARTON
ME1005610202013	GOLD FLASH		
ME1005610202012	0.38um Au		
ME1005610202011	0.76um Au	20	450/REEL 2250/CARTON
ME1005610201014	G/F+PdNi		
ME1005610201013	GOLD FLASH		
ME1005610201012	0.38um Au		
ME1005610201011	0.76um Au		

PART NUMBER LIST TABLE



UNLESS OTHERWISE SPECIFIED TOLERANCES	
U.S.	METRIC
.X +/-	0.25
.XX +/-	0.20
.XXX +/-	0.15
FRACTIONS +/-	5°
ANGLES +/-	

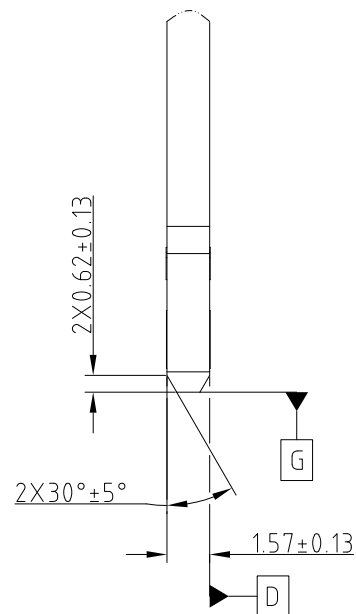
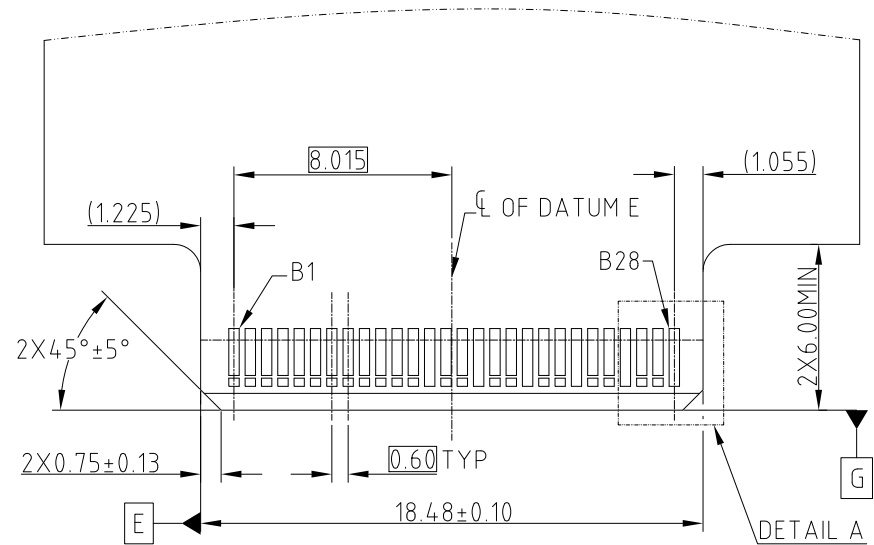
APPROVAL		DATE	
DRAWN	Rocky	Jul.02,2019	
CHECKED	Ly.Yi	Jul.02,2019	
APPROVED			
DRAWING FILE :			
INTERNAL\DRAWING\ME\C ME100561020X01X			
REMOVE SHARP EDGES			
DIMENSIONS			
—U.S.—	INCHES		
(METRIC)	(mm)		
ANGLE OF PROJECTION			

Amphenol		
TITLE MINI COOL EDGE CONNECTOR 56P R/A 0.6MM PITCH 3.05		
SIZE	DRAWING NO.	REV.
A3	C ME100561020X01X	9
SCALE	NONE	SHEET 1 OF 3

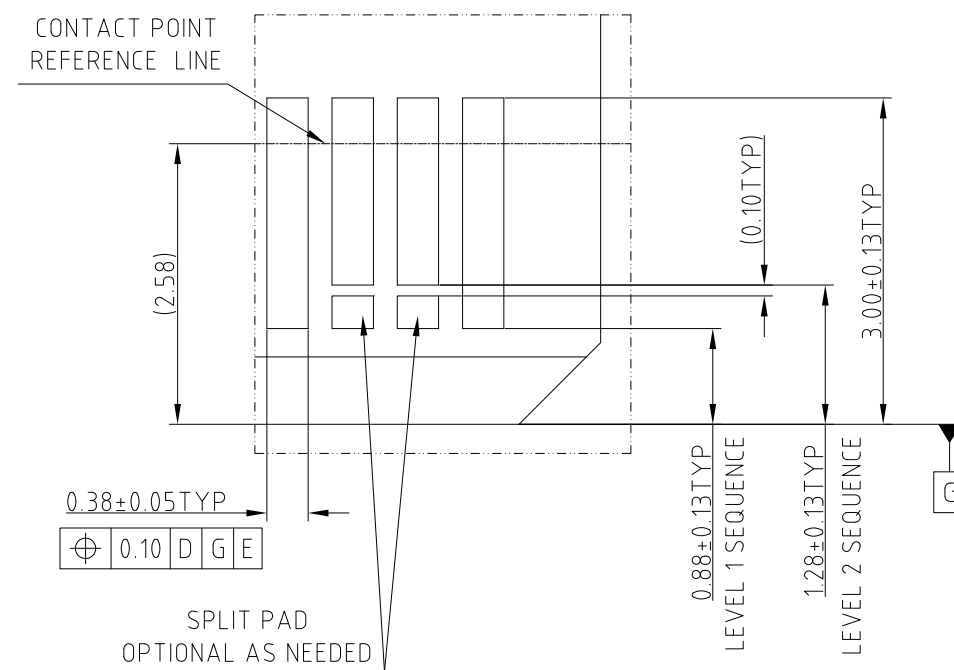
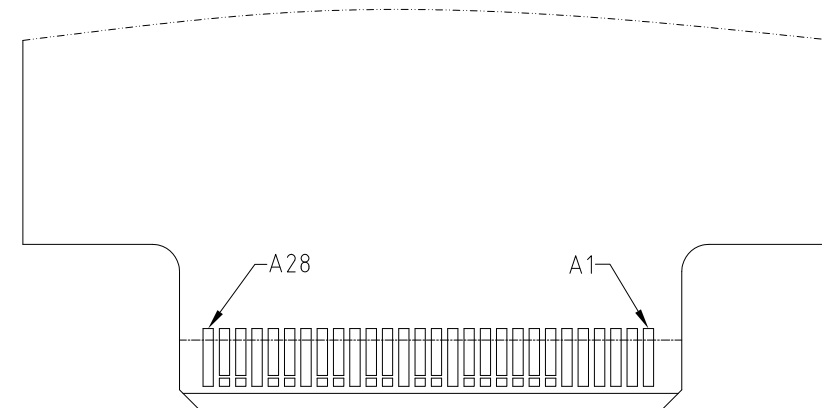
This document is the property of Amphenol Corporation and is delivered on the express condition that it is not to be disclosed, reproduced or used, in whole or in part, for manufacture or sale by anyone other than Amphenol Corporation without its prior consent, & that no right is granted to disclose or to use any information in this document.

CUSTOMER DRAWING

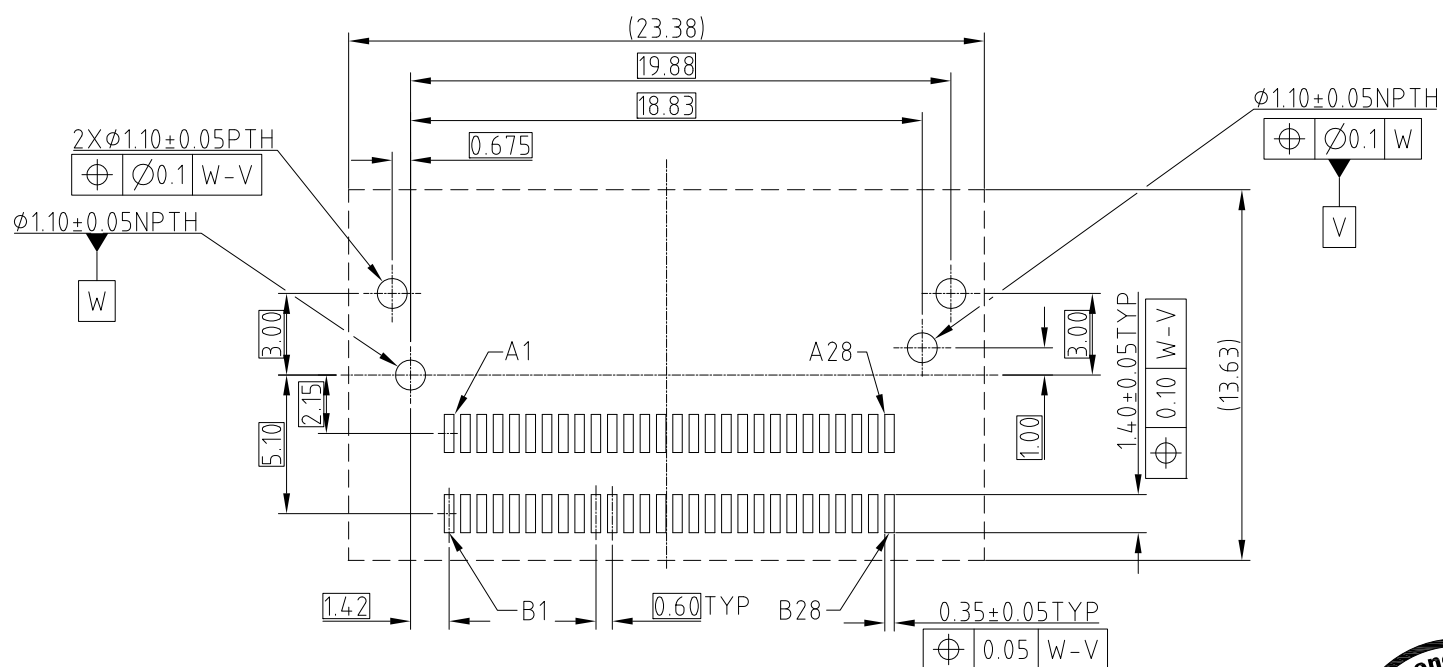
REVISIONS				
SYM	ECN	DESCRIPTION	DATE	APPROVED
		SEE SHEET 1		



RECOMMENDED AIC MATING CARD



DETAIL A
SCALE 4:1



RECOMMENDED FOOTPRINT



UNLESS OTHERWISE SPECIFIED TOLERANCES	
U.S.	METRIC
.X +/-	0.25
.XX +/-	0.20
.XXX +/-	0.15
FRACTIONS +/-	5°
ANGLES +/-	
FOR MATERIALS AND FINISHES SEE NOTES	
REMOVE SHARP EDGES	
DIMENSIONS	
—U.S.—	INCHES
(METRIC)	(mm)

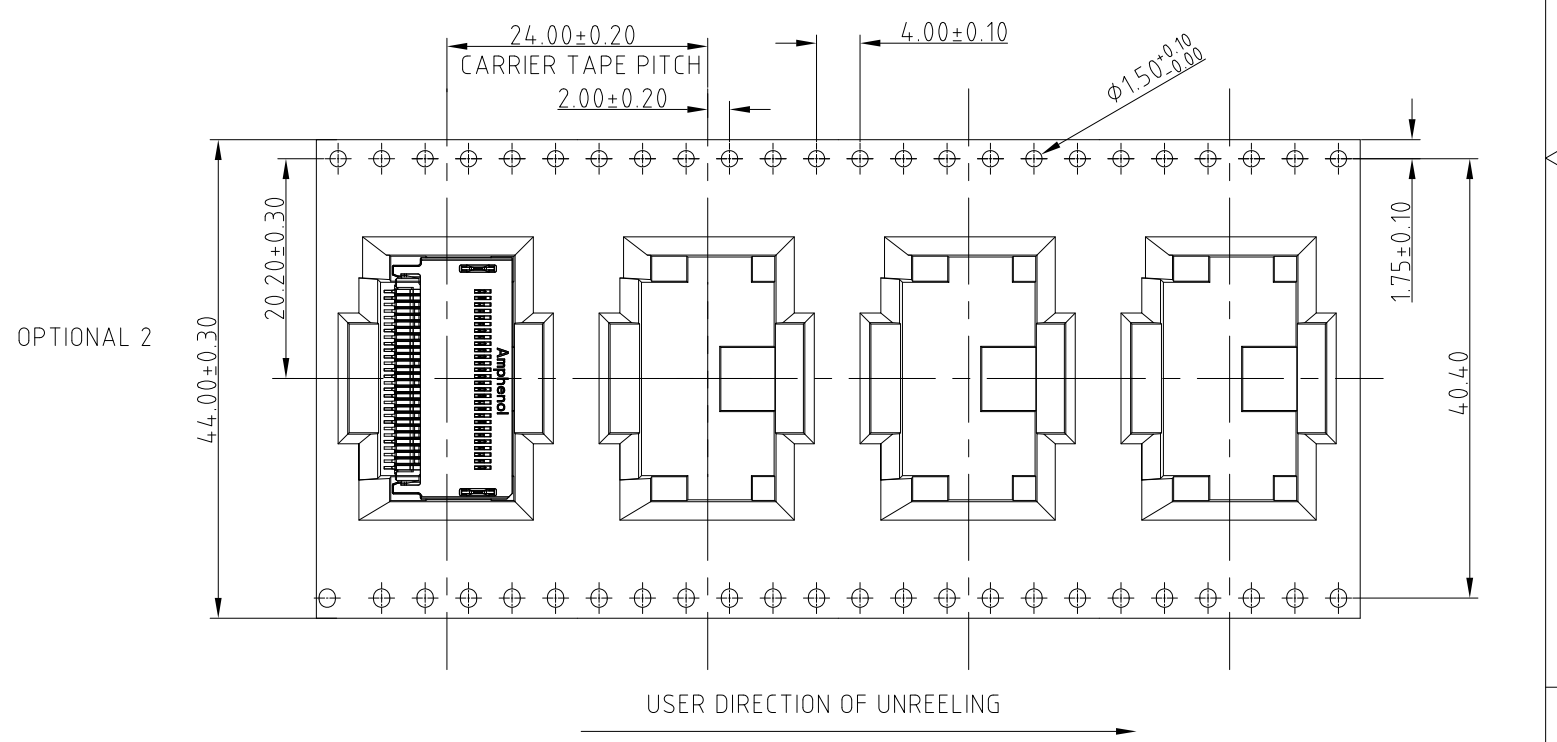
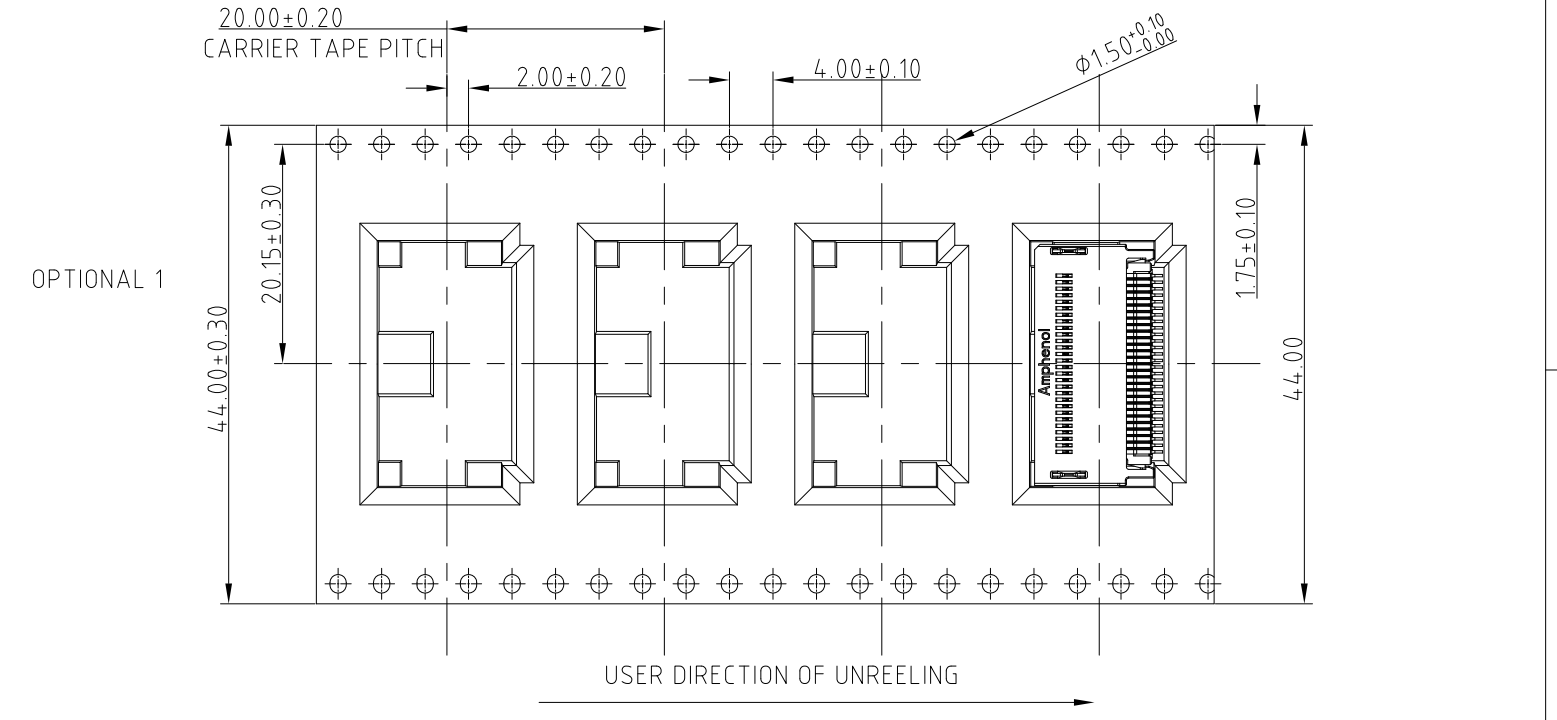
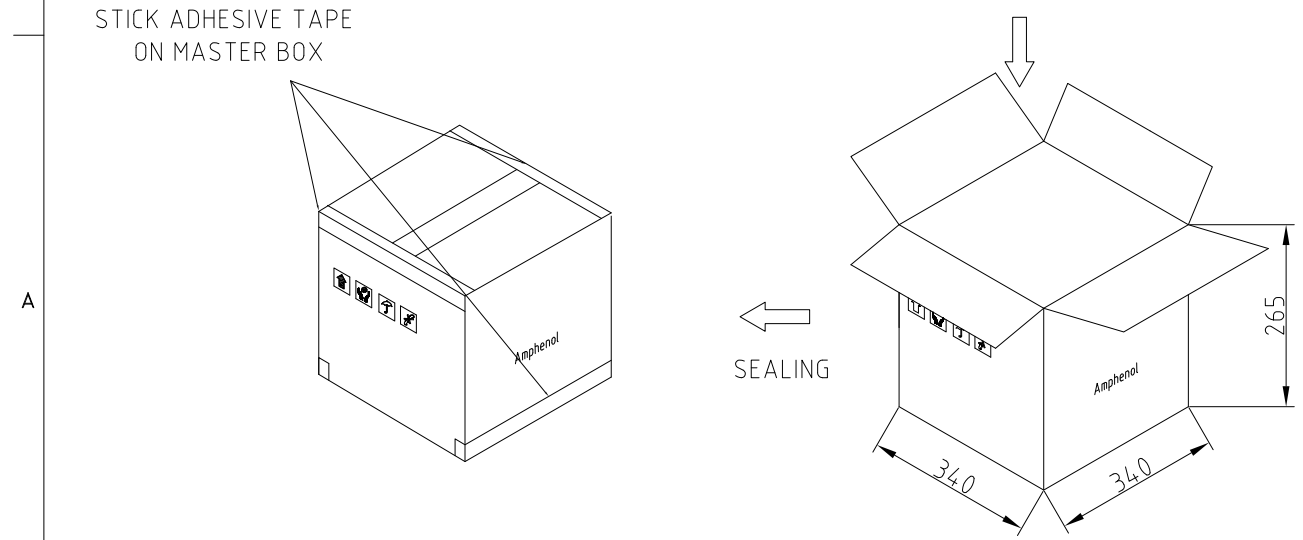
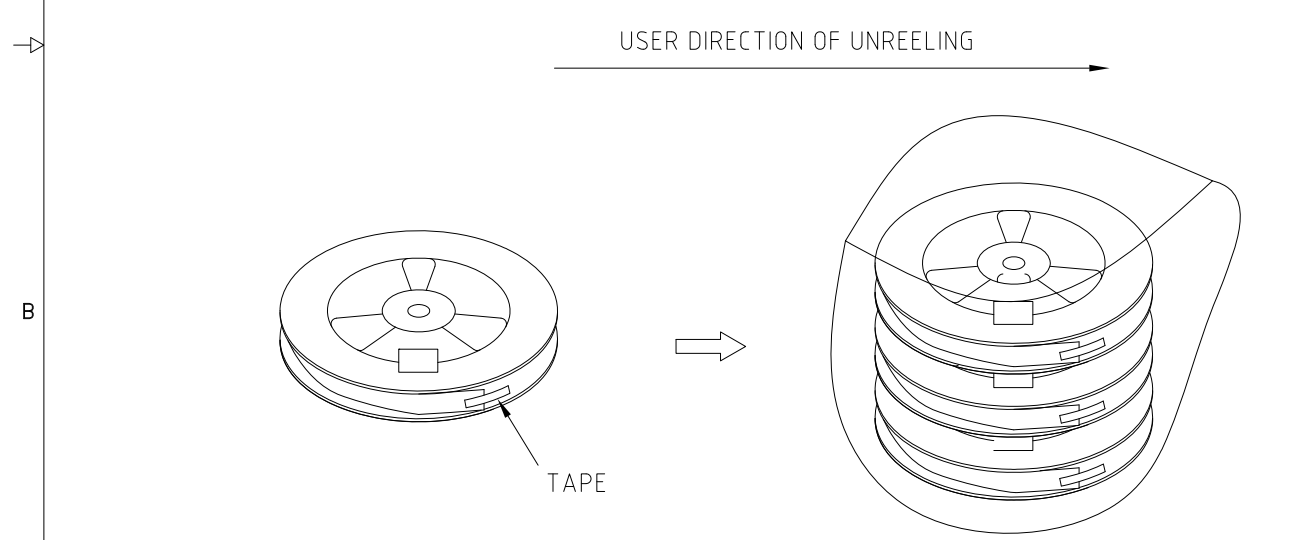
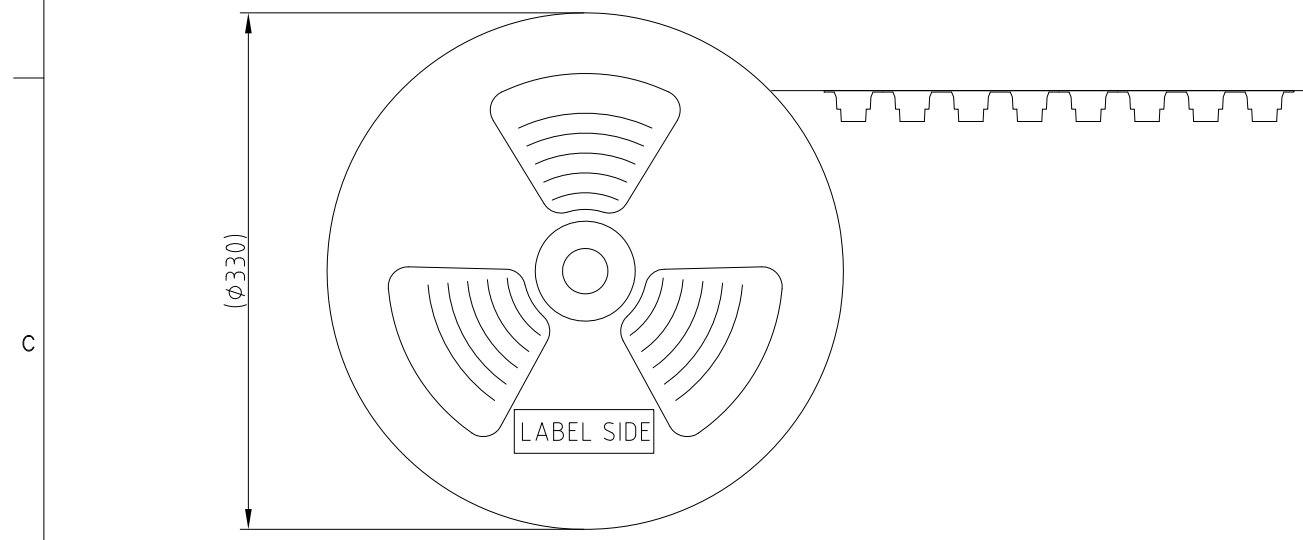
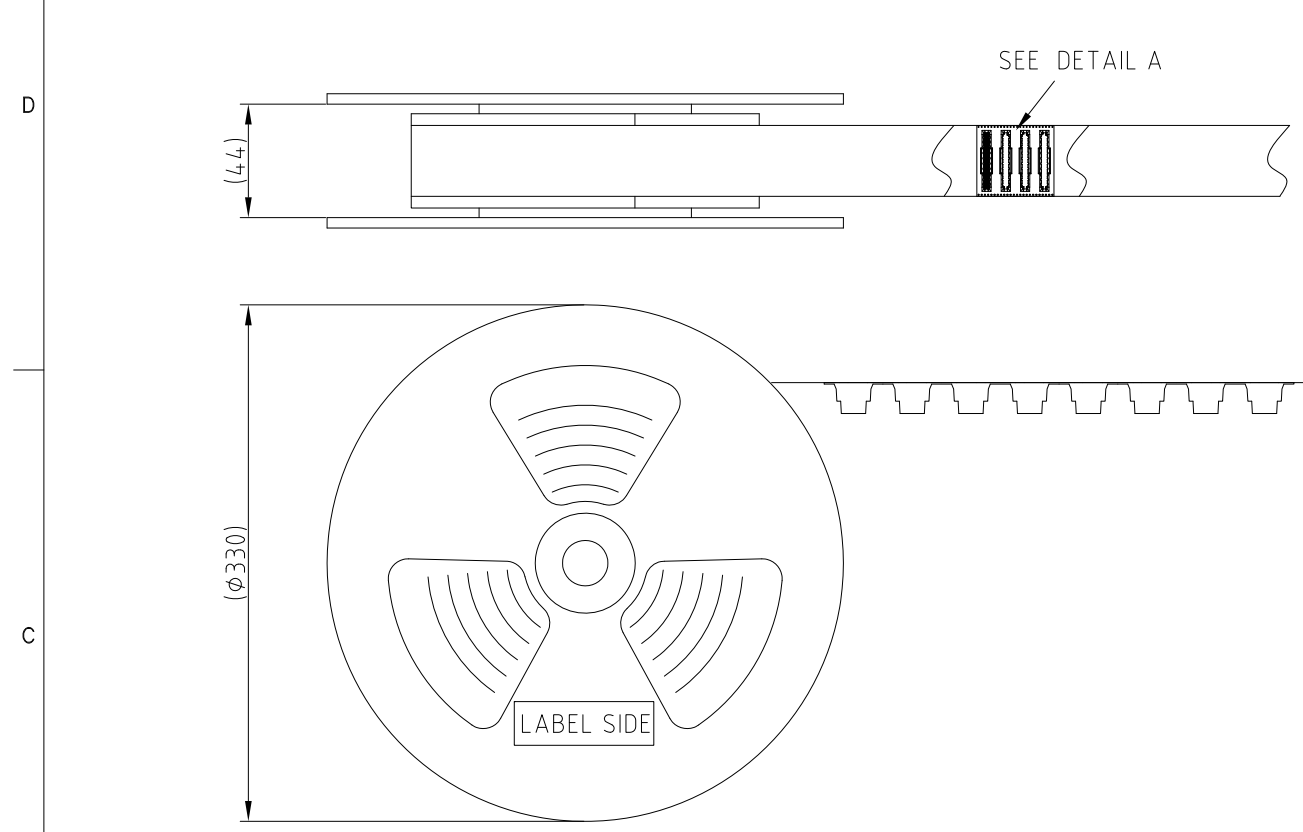
APPROVAL	DATE
DRAWN Rocky	Jul.02,2019
CHECKED Ly.Yi	Jul.02,2019
APPROVED	
DRAWING FILE :	
INTERNAL\DRAWING\ME\C ME100561020X01X	
ANGLE OF PROJECTION	

Amphenol		
TITLE		
MINI COOL EDGE CONNECTOR		
56P R/A 0.6MM PITCH 3.05		
SIZE	DRAWING NO.	REV.
A3	C ME100561020X01X	9
SCALE	NONE	SHEET 2 OF 3

This document is the property of Amphenol Corporation and is delivered on the express condition that it is not to be disclosed, reproduced or used, in whole or in part, for manufacture or sale by anyone other than Amphenol Corporation without its prior consent, & that no right is granted to disclose or to use any information in this document.

CUSTOMER DRAWING

REVISIONS				
SYM	ECN	DESCRIPTION	DATE	APPROVED
		SEE SHEET 1		



DETAIL A
SCALE 1:2.5



UNLESS OTHERWISE SPECIFIED TOLERANCES	
U.S.	METRIC
.X +/-	0.25
.XX +/-	0.20
.XXX +/-	0.15
FRACTIONS +/-	5°
ANGLES +/-	
FOR MATERIALS AND FINISHES SEE NOTES	
REMOVE SHARP EDGES	
DIMENSIONS	
—U.S.—	INCHES
(METRIC)	(mm)

APPROVAL		DATE	
DRAWN	Rocky	Jul.02,2019	
CHECKED	Ly.Yi	Jul.02,2019	
APPROVED			
DRAWING FILE :			
INTERNAL\DRAWING\ME\C ME100561020X01X			
ANGLE OF PROJECTION			

Amphenol		
TITLE		
MINI COOL EDGE CONNECTOR		
56P R/A 0.6MM PITCH 3.05		
SIZE	DRAWING NO.	REV.
A3	C ME100561020X01X	9
SCALE	NONE	SHEET 3 OF 3