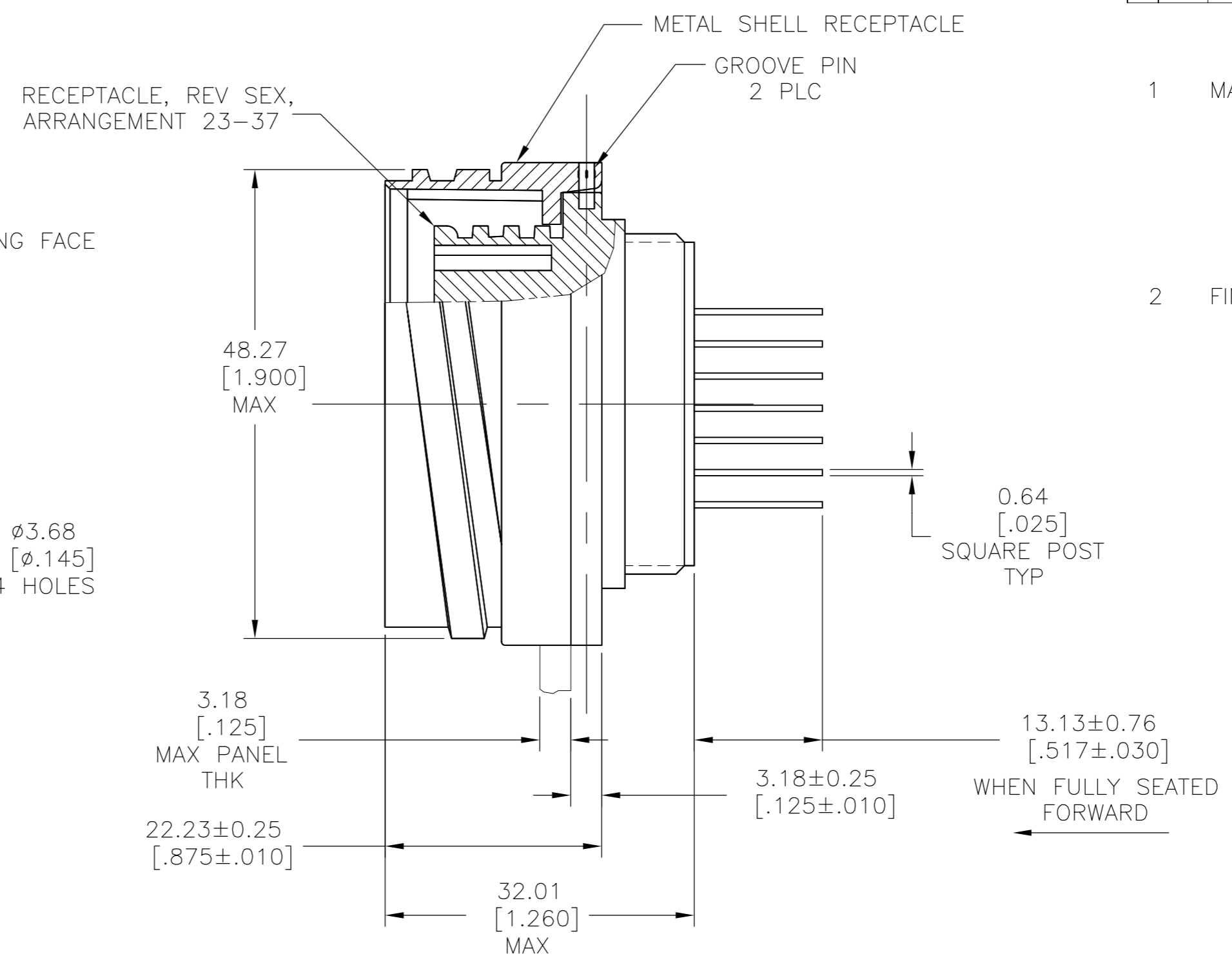
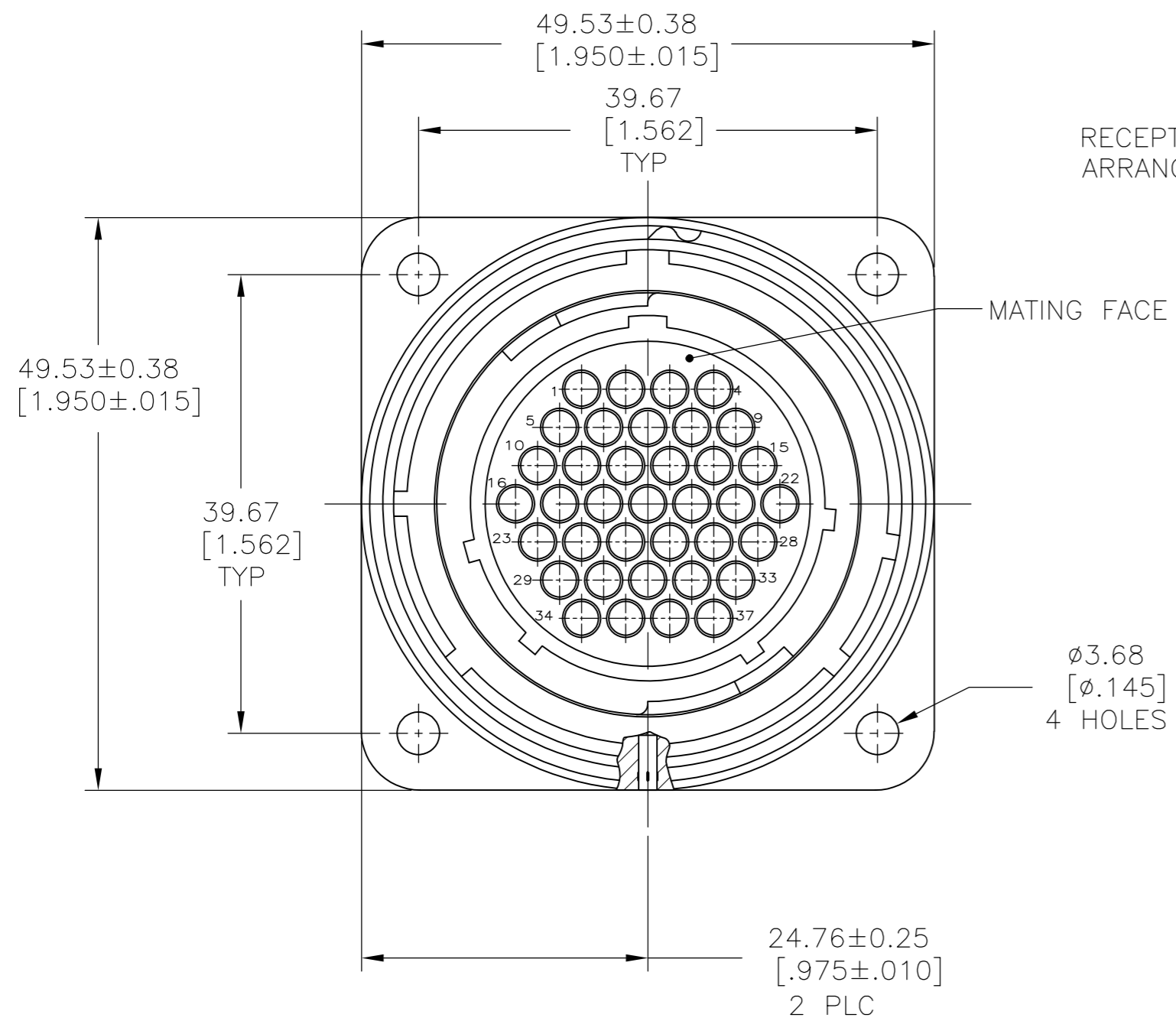
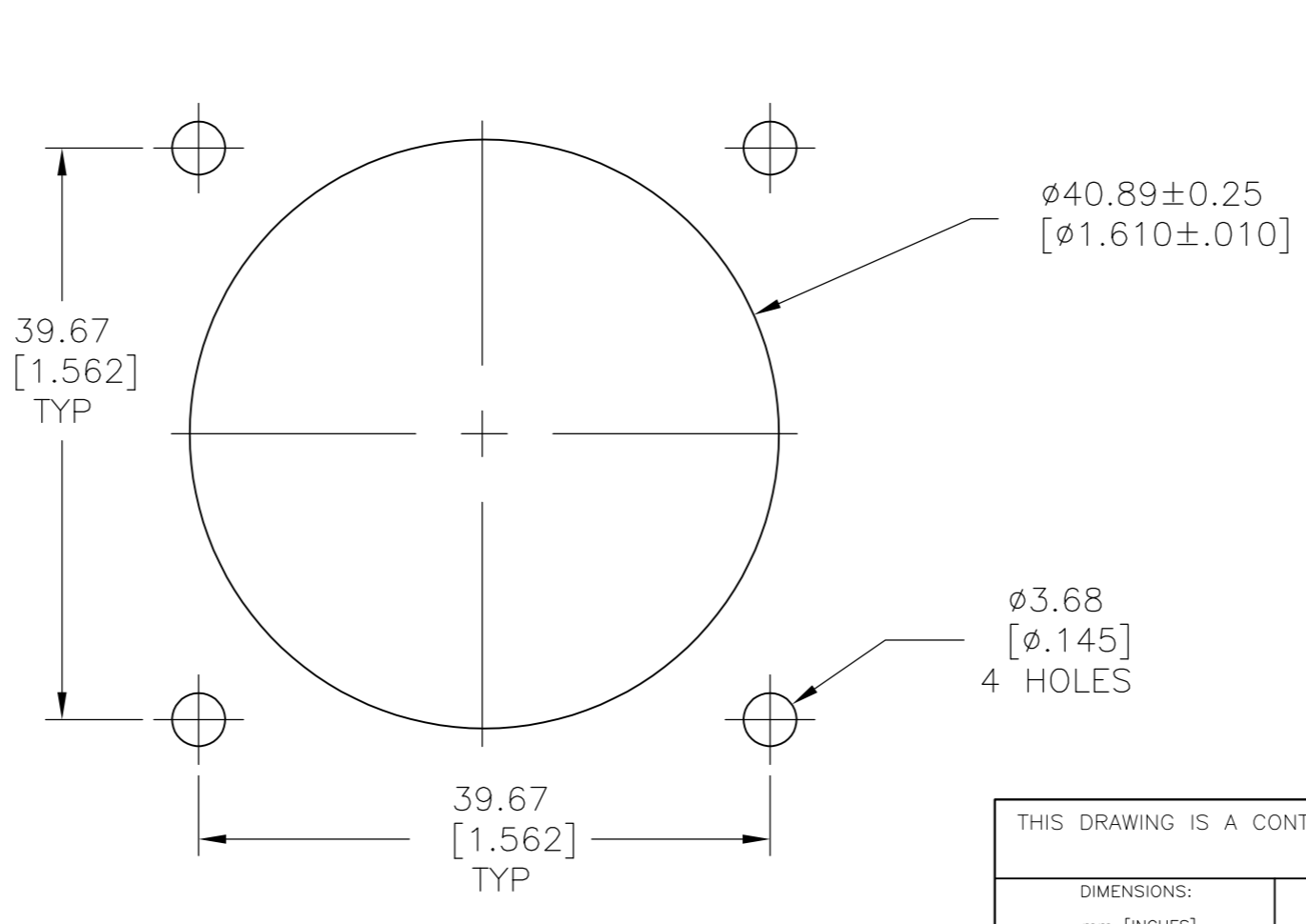
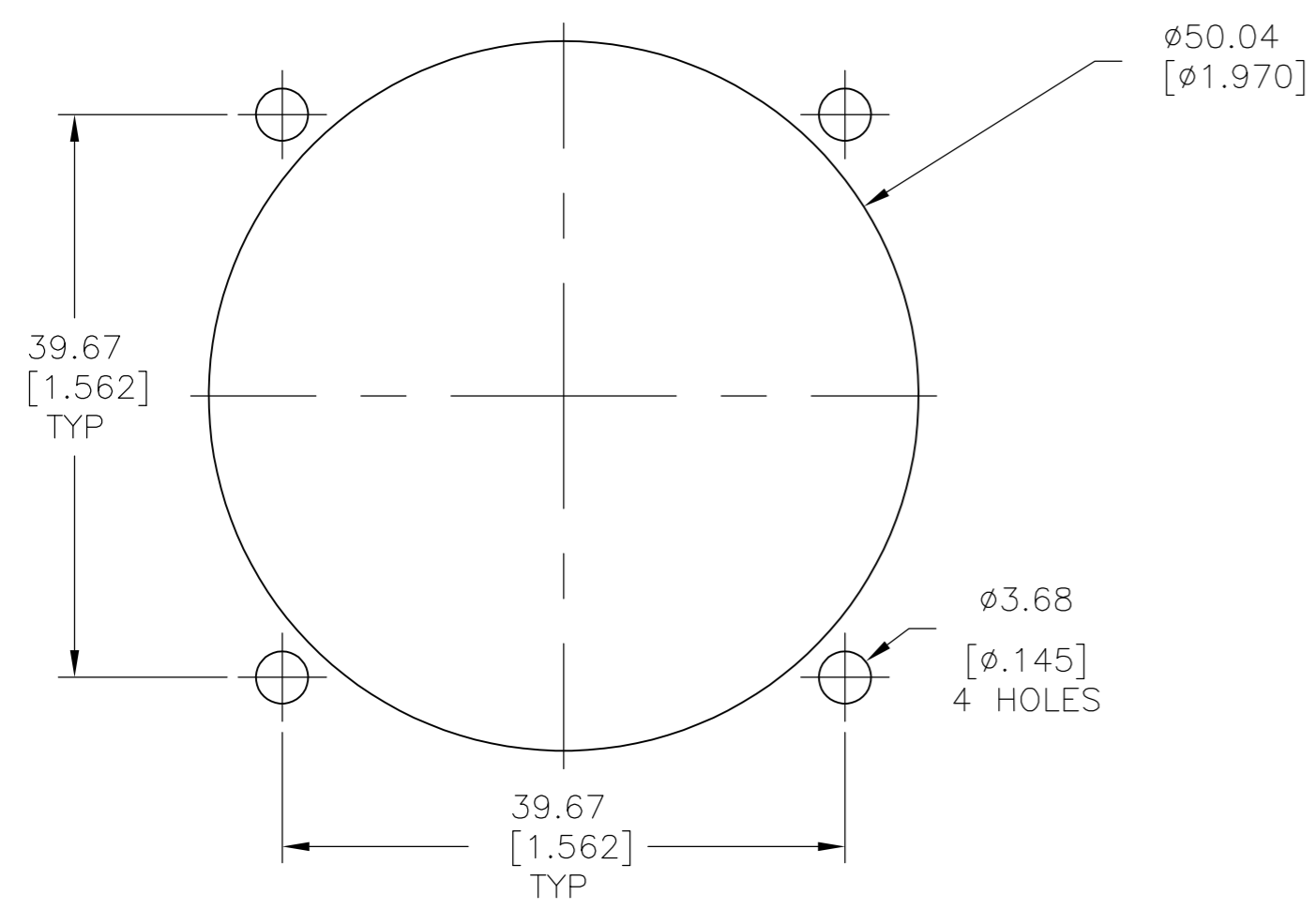


THIS DRAWING IS UNPUBLISHED. RELEASED FOR PUBLICATION
 © COPYRIGHT - By - ALL RIGHTS RESERVED.

LOC	DIST	REVISIONS			
P	LTR	DESCRIPTION	DATE	DWN	APVD
BD	35				
	A	REVISED PER ECO-14-014457	24SEP2014	NK	MZ



- MATERIALS:
 METAL SHELL RECEPTACLE: ZINC ALLOY
 GROOVE PIN: STEEL
 RECEPTACLE: NYLON, BLACK
 CONTACT BODY: BRASS
 CONTACT SPRING: STAINLESS STEEL
 CONTACT POST: BRASS
- FINISHES:
 METAL SHELL RECEPTACLE: NICKEL PLATED
 GROOVE PIN: NICKEL PLATED
 CONTACT BODY: SELECT GOLD OVER NICKEL
 CONTACT POST: TIN OVER NICKEL



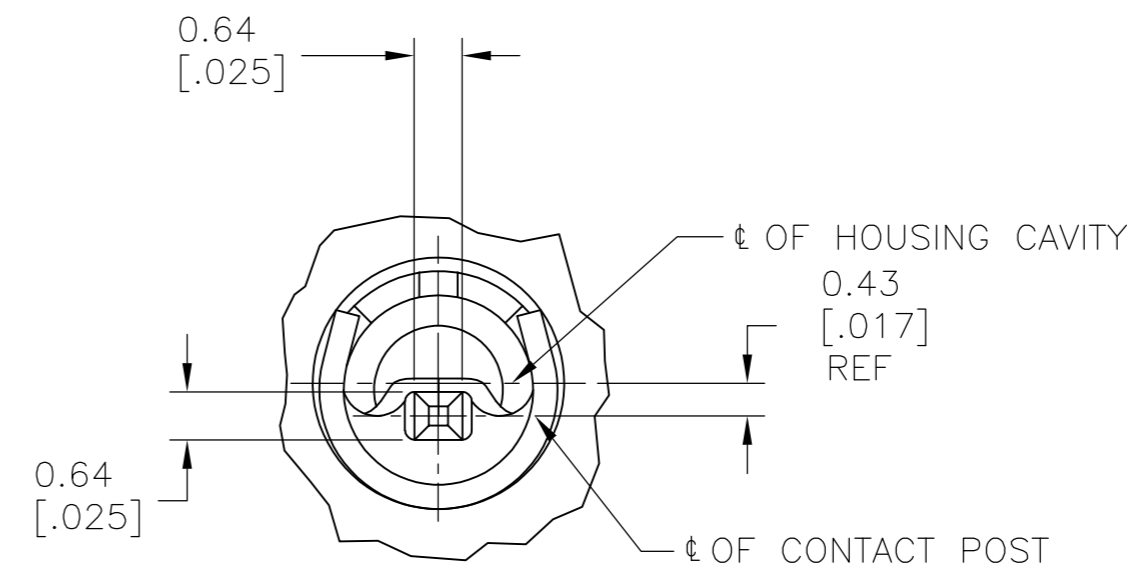
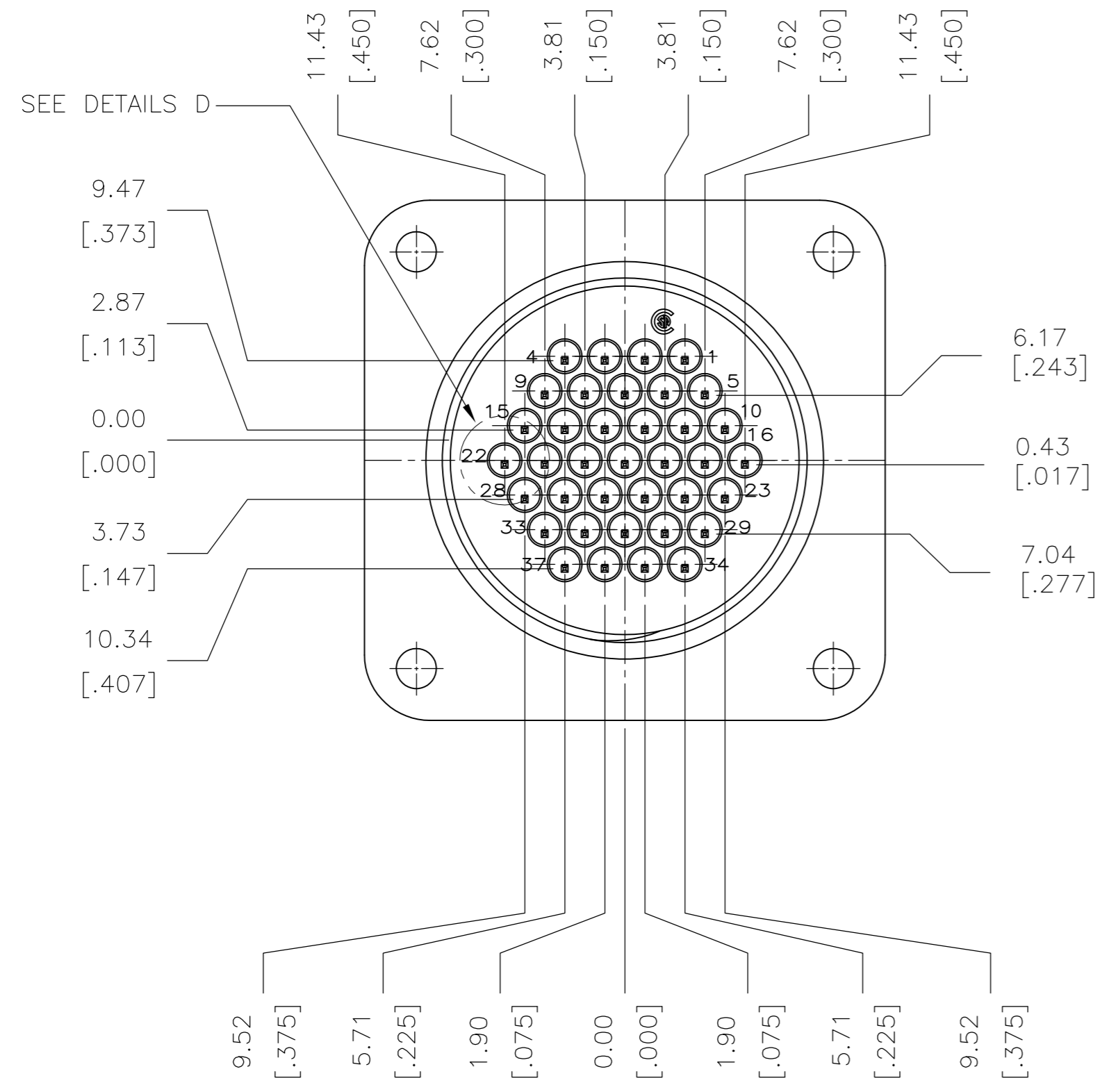
2267124-1
 PART NUMBER

THIS DRAWING IS A CONTROLLED DOCUMENT.		DWN	07JUN2014	 TE Connectivity	NAME	
DIMENSIONS:		CHK	07JUN2014		POSTED RECEPTACLE ASSEMBLY, REV SEX,	
mm [INCHES]		APVD	07JUN2014		SERIES 1, 28-37, CMC	
TOLERANCES UNLESS OTHERWISE SPECIFIED:		PRODUCT SPEC			SIZE	CAGE CODE
0 PLC	± -	APPLICATION SPEC	108-10040	A2	00779	
1 PLC	± -			DRAWING NO		
2 PLC	± 0.13[.005]			C=2267124		
3 PLC	± -			RESTRICTED TO		
4 PLC	± -					
ANGLES	± -					
MATERIAL	FINISH	WEIGHT	-			
-	-	CUSTOMER DRAWING		SCALE	2:1	
			SHEET	1	OF 2	
			REV	A		

2267124

THIS DRAWING IS UNPUBLISHED. RELEASED FOR PUBLICATION
 © COPYRIGHT - By - ALL RIGHTS RESERVED.

LOC		DIST		REVISIONS			
P	LTR	DESCRIPTION	DATE	DWN	APVD		
BD	35	SEE SHEET 1	-	-	-		



THIS DRAWING IS A CONTROLLED DOCUMENT.		DWN 07JUN2014 NAGALAKSHMI K	STE TE Connectivity		
DIMENSIONS: mm [INCHES]		CHK 07JUN2014 ZITTO, MARK			
TOLERANCES UNLESS OTHERWISE SPECIFIED:		APVD 07JUN2014 ZITTO, MARK	NAME POSTED RECEPTACLE ASSEMBLY, REV SEX, SERIES 1, 28-37, CMC		
0 PLC ± - 1 PLC ± - 2 PLC ± 0.13[.005] 3 PLC ± - 4 PLC ± - ANGLES ± -		PRODUCT SPEC 108-10040	SIZE A2	CAGE CODE 00779	DRAWING NO C=2267124
MATERIAL -		FINISH -	WEIGHT -	SCALE 2:1	SHEET 2 OF 2
CUSTOMER DRAWING			RESTRICTED TO -	REV A	