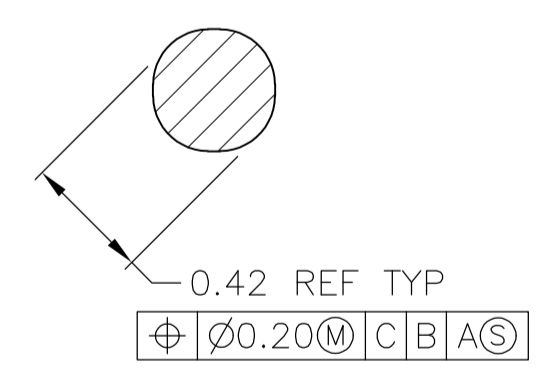
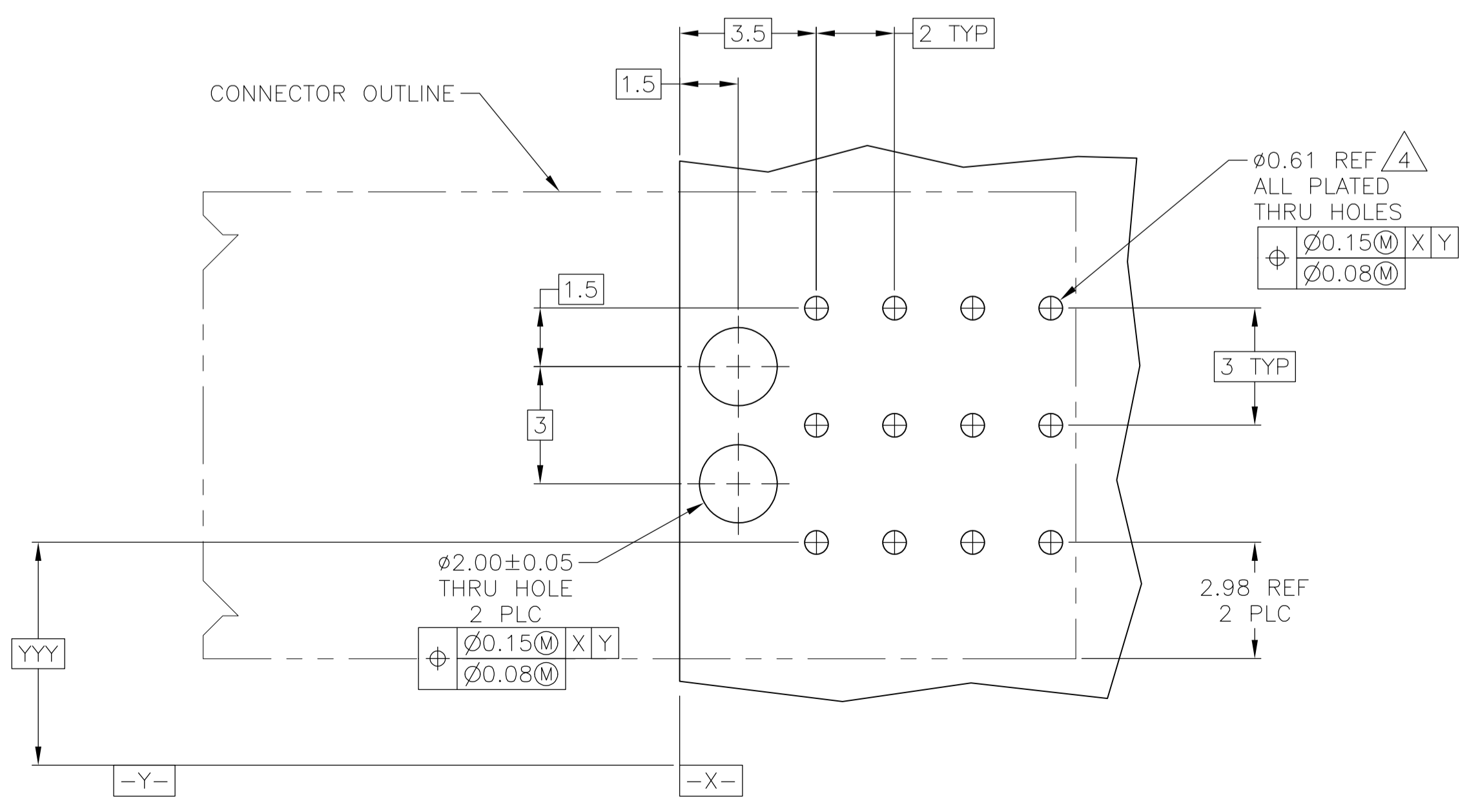
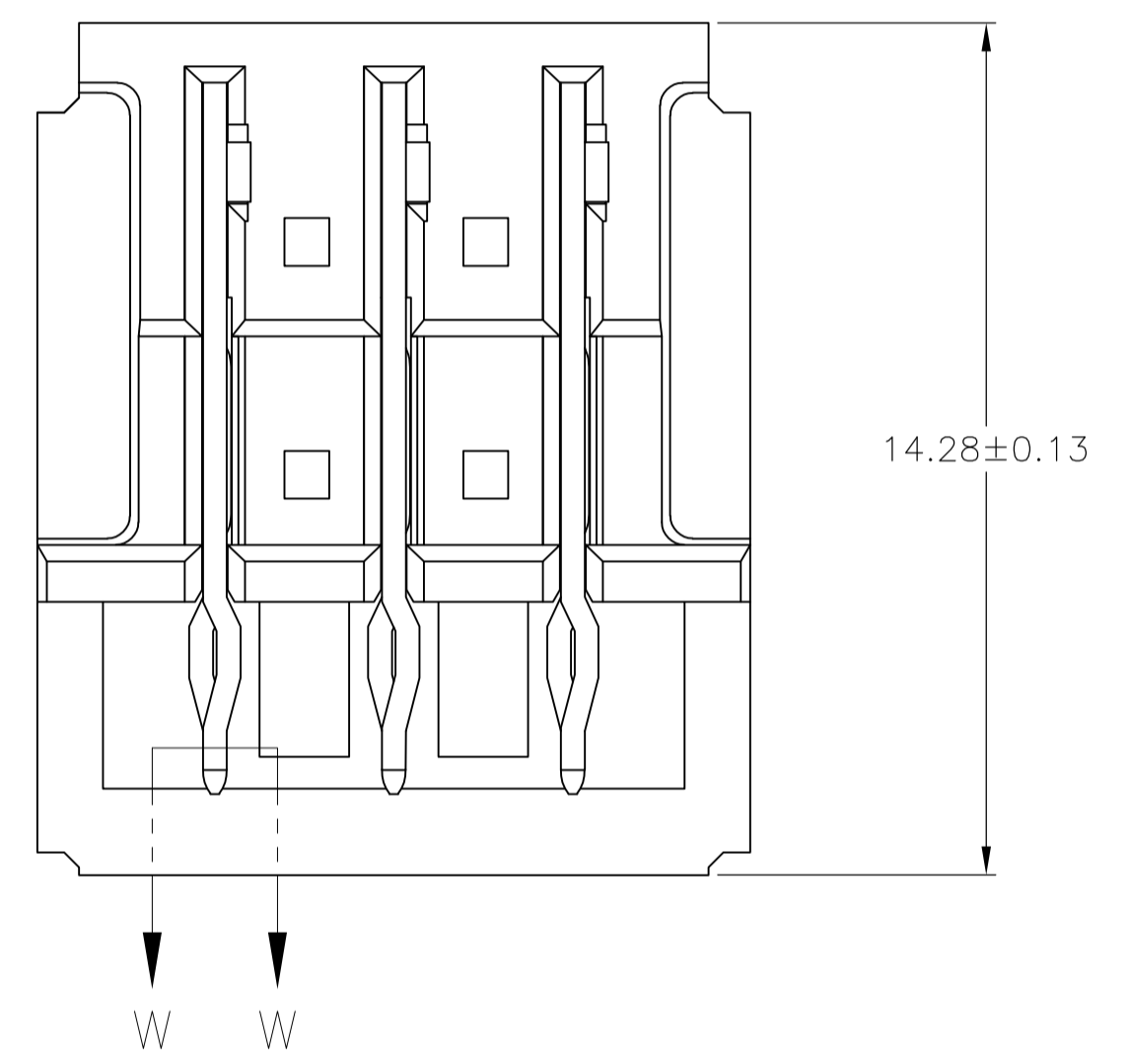
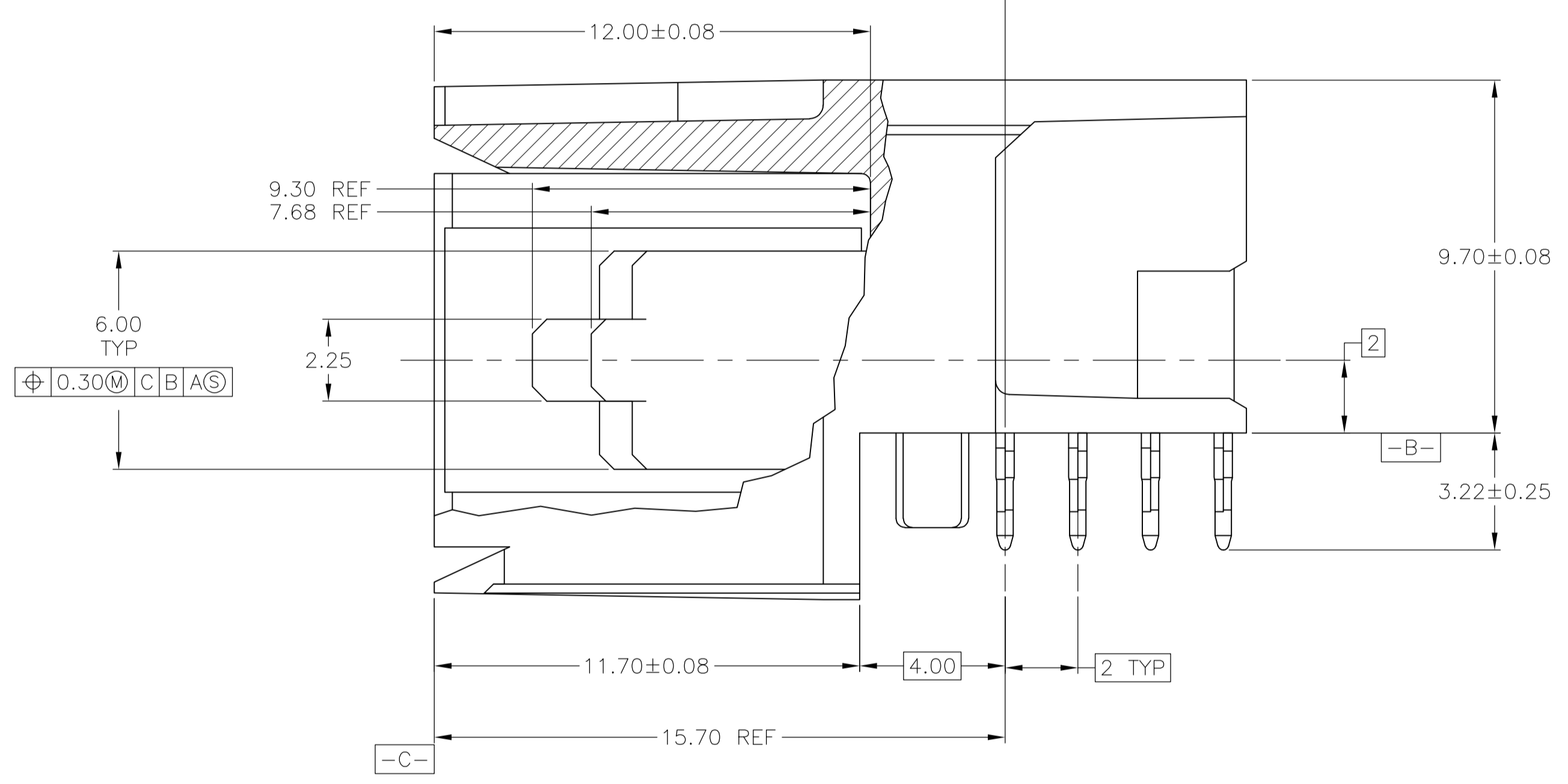
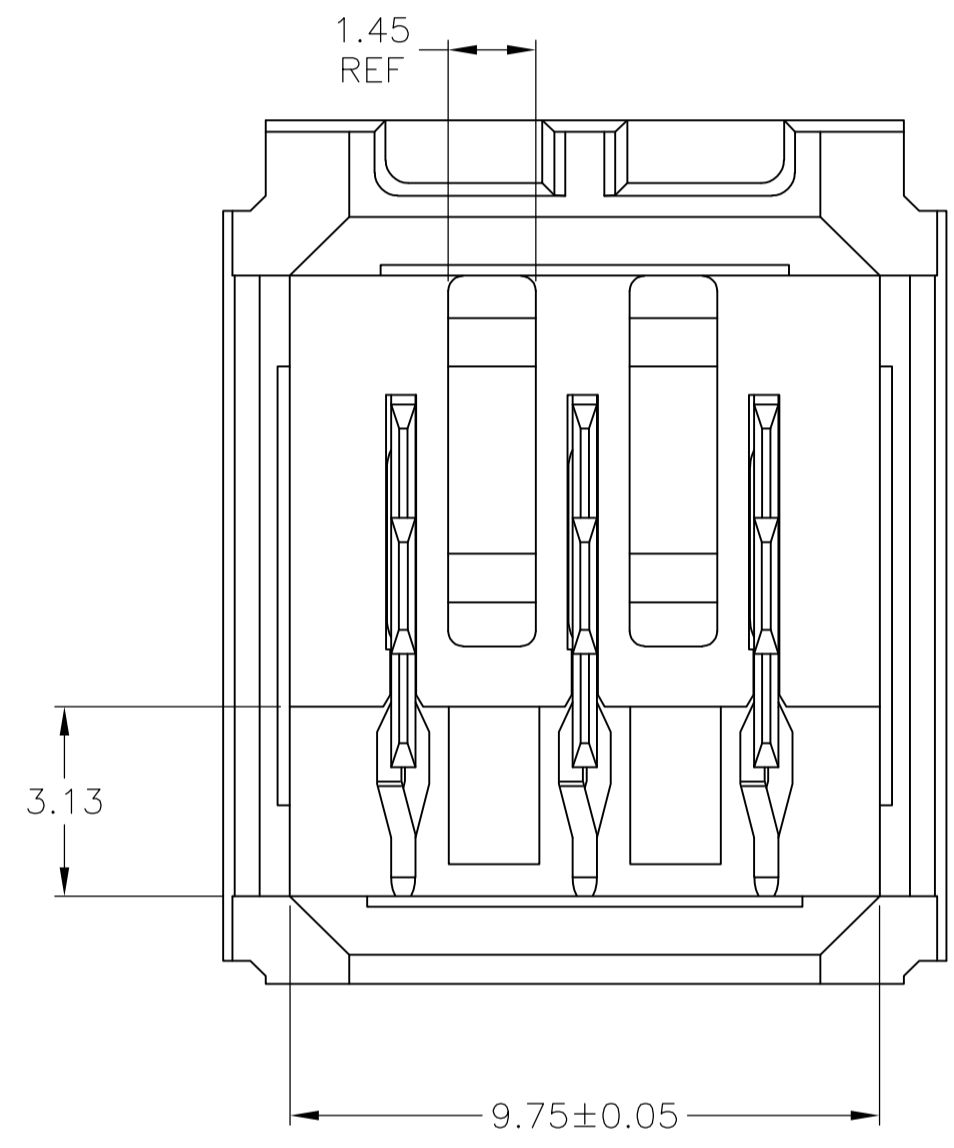


- 1 HOUSING: POLYESTER, GRAY. UL 94V-0.  
CONTACT: PHOSPHOR BRONZE.
- 2 CONTACT: MATING AREA: 1.27µm MIN GOLD OR 0.08µm MIN GOLD OVER  
0.76µm MIN PALLADIUM NICKEL.  
ACTION PIN AREA: 0.5µm MIN TIN LEAD PLATE,  
ALL OVER 1.27µm MIN NICKEL UNDERPLATE.
- 3 CONTACT LUBRICATION WITH BELCORE APPROVED  
LUBRICANT. TECHNICAL REFERENCE: TR-NWT-001217  
ISSUE 1, SEPT 1992.
- 4 REFERENCE APPLICATION SPEC 114-1103 FOR RECOMMENDED PLATED THRU  
HOLE DIAMETER AND PLATING THICKNESSES.
- 5. CURRENT RATING 10A/CONTACT PER PRODUCT SPEC 108-1651.



SECTION W-W  
SCALE 40:1

RECOMMENDED PCB HOLE LAYOUT

223983-1  
PART NUMBER

THIS DRAWING IS A CONTROLLED DOCUMENT.		DIN T. SHUEY 12-11-98	Tyco Electronics Corporation Harrisburg, PA 17105-3608
DIMENSIONS: mm		CHK R. PATTERSON 12-11-98	
TOLERANCES UNLESS OTHERWISE SPECIFIED:		APVD R. PATTERSON 12-11-98	NAME
0 PLC ± -			ASSEMBLY, RIGHT ANGLE HEADER, W/ RETENTION PEGS, UNIVERSAL POWER MODULE
1 PLC ± -			SIZE
2 PLC ± 0.13			CODE
3 PLC ± -			DRAWING NO
4 PLC ± -			RESTRICTED TO
ANGLES ± -			WEIGHT
			A1 00779 C=223983
MATERIAL	FINISH	SCALE	SHEET
1	2 3	8:1	1 OF 1
CUSTOMER DRAWING		REV	H