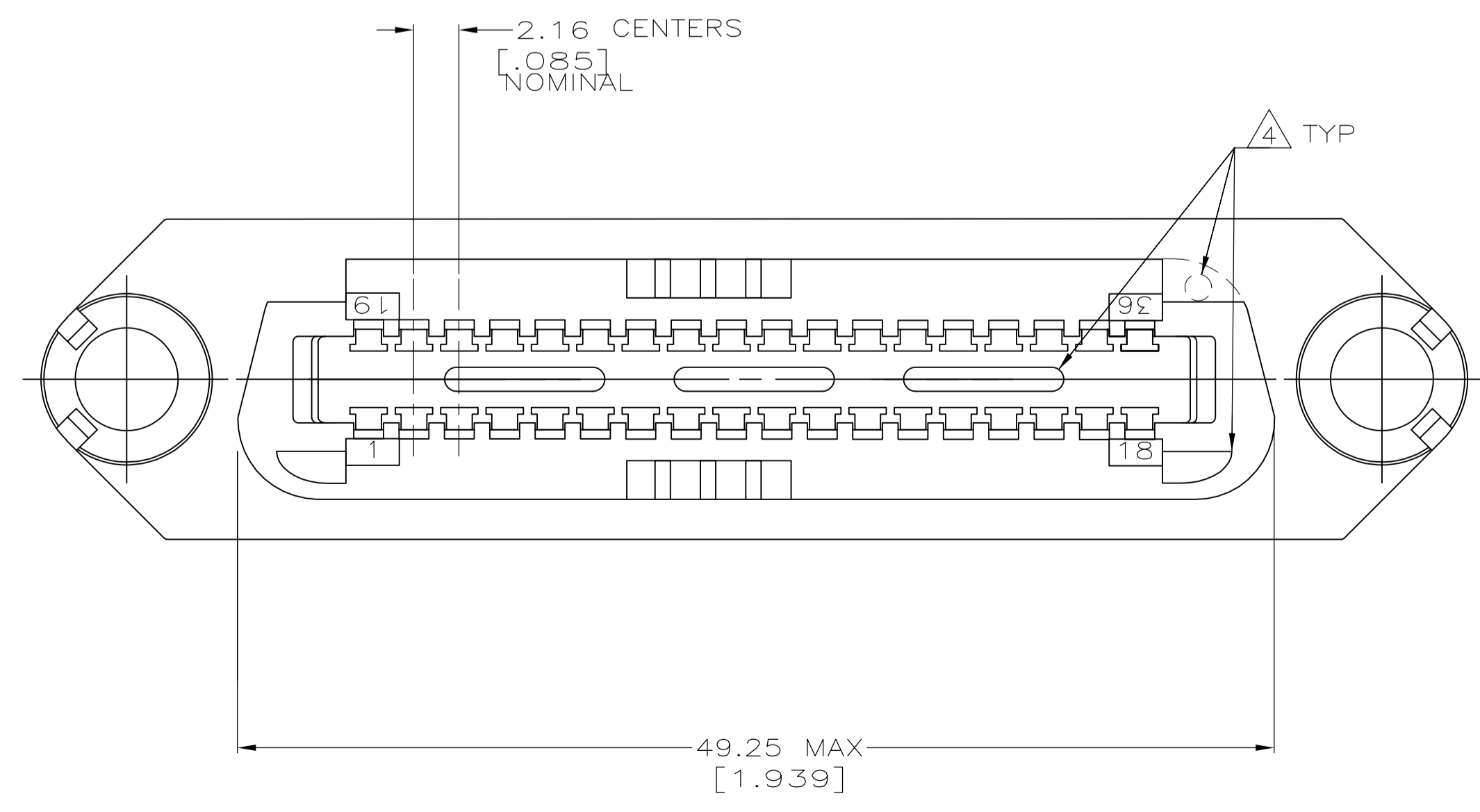
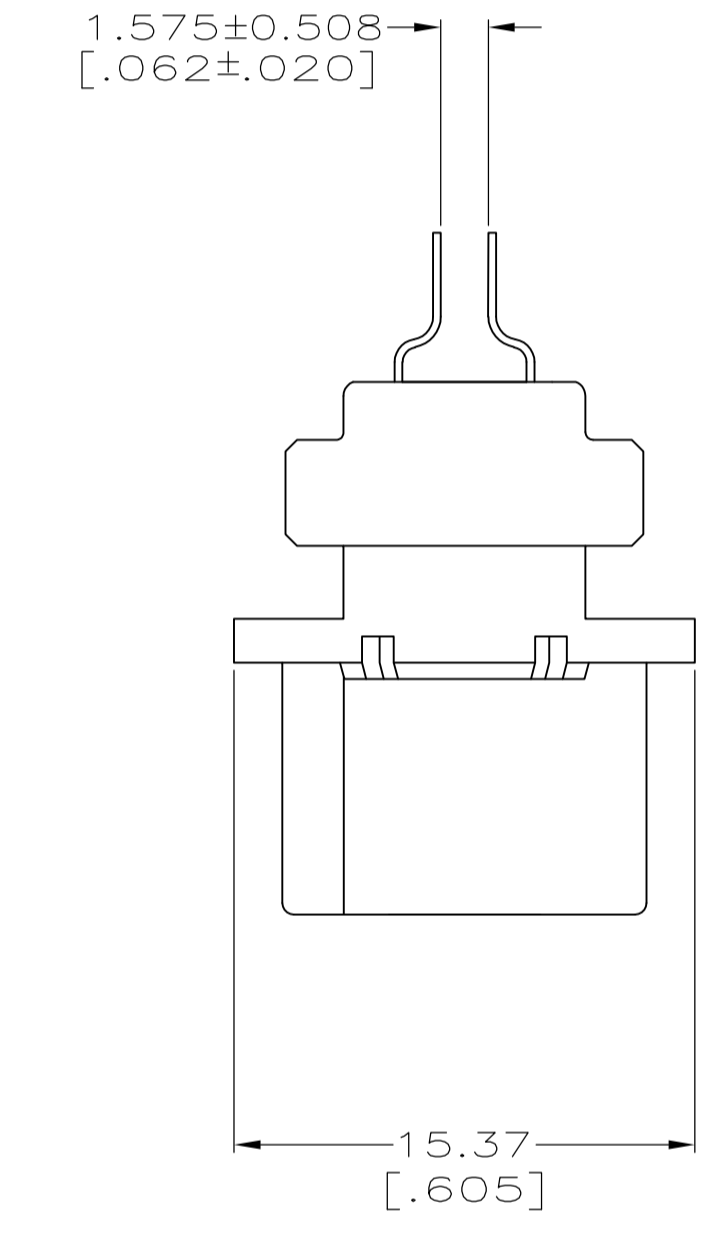
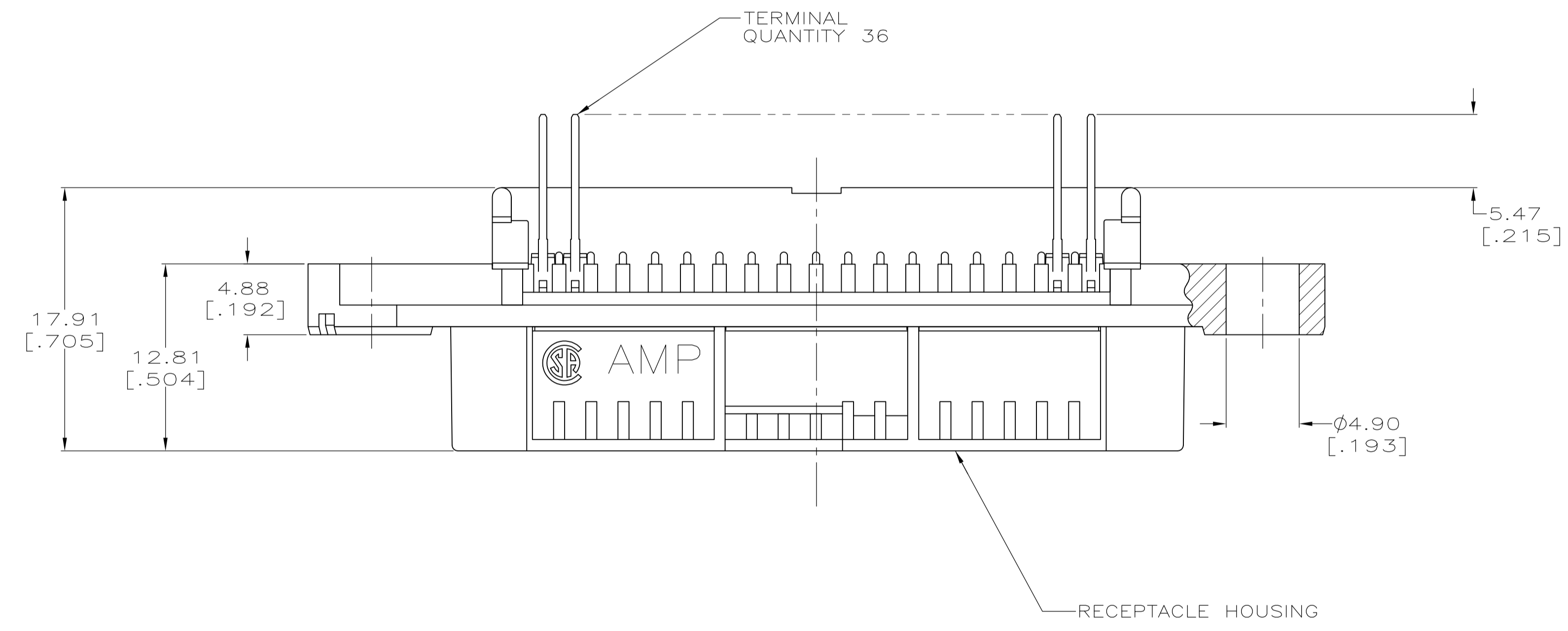


- 1. ALL DIMENSIONS SHOWN ARE MAXIMUM UNLESS OTHERWISE SPECIFIED.
- 2. THE CONTACT SURFACES OF THE TERMINALS ARE COATED WITH LUBRICANT.
- 3. MATERIAL: HOUSING - THERMOPLASTIC, BLACK. TERMINAL - PHOS BRONZE PLATED WITH EITHER 0.76μm [.000030] MINIMUM GOLD PLATE OR GOLD FLASH OVER PALLADIUM NICKEL PLATE, 0.76μm [.000030] MINIMUM TOTAL ON MATING SURFACE. 3.05μm [.000120] MINIMUM TIN PLATE ON TAILS OVER 1.27μm [.000050] MINIMUM NICKEL UNDERPLATE OVER ENTIRE TERMINAL.
- 4. THIS FEATURE IS A CORED AREA AND IS OPTIONAL ON PART.



5552241-1
PART NUMBER

THIS DRAWING IS A CONTROLLED DOCUMENT.		DIN B LATTUCA 12AUG05	Tyco Electronics Tyco Electronics Corporation Harrisburg, PA 17105-3608
DIMENSIONS: mm [INCHES]		CIK W MILLHIMES 12AUG05	
TOLERANCES UNLESS OTHERWISE SPECIFIED:		APVD W WALMSLEY 12AUG05	NAME
0. PLC ± -	1. PLC ± -	2. PLC ± -	3. PLC ± -
4. PLC ± -	ANGLES ± -	PRODUCT SPEC	
MATERIAL		APPLICATION SPEC	
FINISH		SIZE CAGE CODE DRAWING NO	
CUSTOMER DRAWING		WEIGHT	
SCALE 4:1		RESTRICTED TO	
SHEET 1 of 1		REV B	