



PART NAME

MICRO-COMPUTER ENCLOSURE

PART No.

PS-11594

REV. DATE

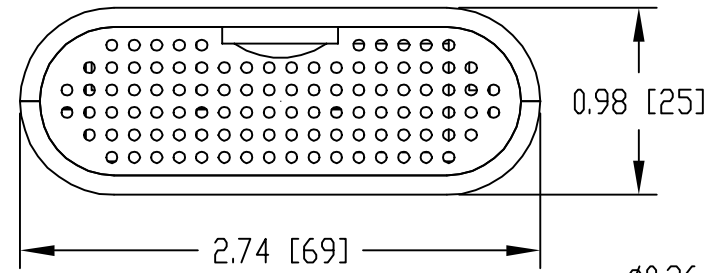
3-12-18

DRAWING FOR REFERENCE  
WE RESERVE THE RIGHT TO MAKE CHANGES TO OUR  
STANDARD PRODUCTS. PLEASE CONSULT WITH BUD INDUSTRIES  
PRIOR TO USING THIS DRAWING FOR DESIGN PURPOSE.

DESIGNED TO ACCEPT VERSION 2&3 OF  
RASPBERRY PI MICRO-COMPUTER

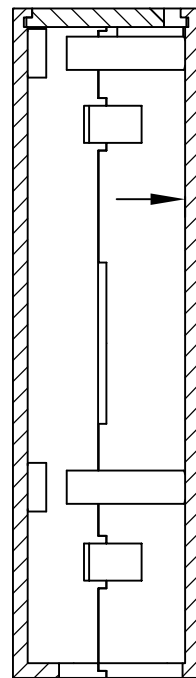
MATERIAL:  
BASE, COVER & BACK PANEL -  
ABS UL94-HB  
WHITE (PART NO. SUFFIX -W)  
BLACK (PART NO. SUFFIX -B)  
CLEAR (PART NO. SUFFIX -C)

SUPPLIED WITH FOUR M2x0.4 x 8mm LG.  
PAN HD. SCREWS FOR ASSEMBLING  
THE COVER TO THE BASE



Ø0.26 [Ø6] BOSS (4X)

Ø0.10 [Ø3] HOLE (4X)

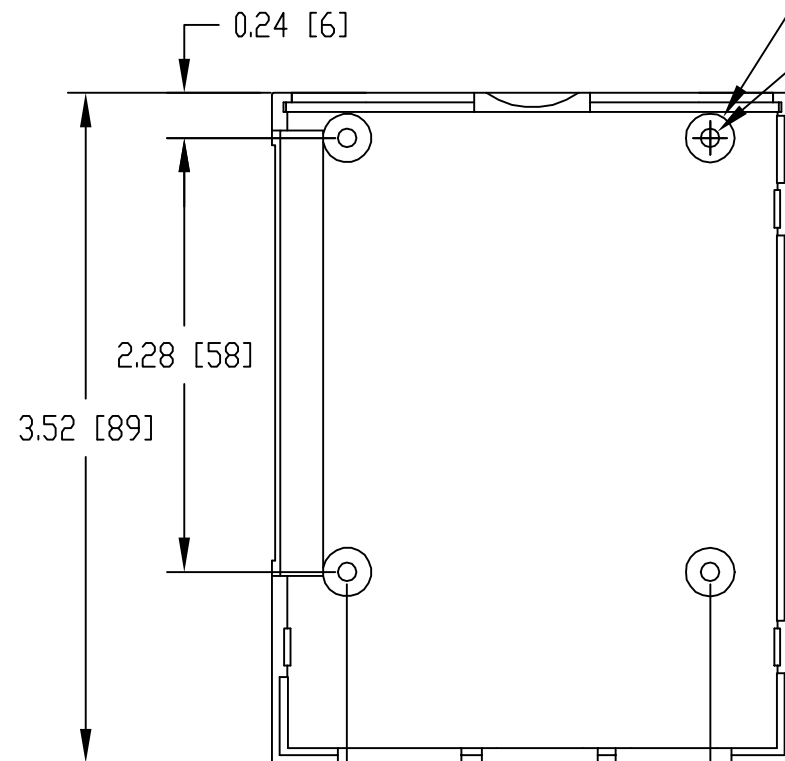


0.08 [2]

Ø0.26 [Ø6]

0.49 [12]

0.98 [25]

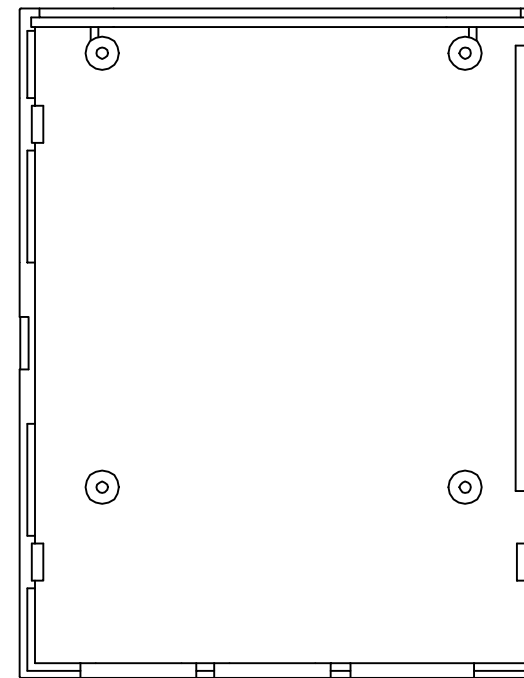


3.52 [89]

2.28 [58]

0.24 [6]

INSIDE BASE



INSIDE COVER

