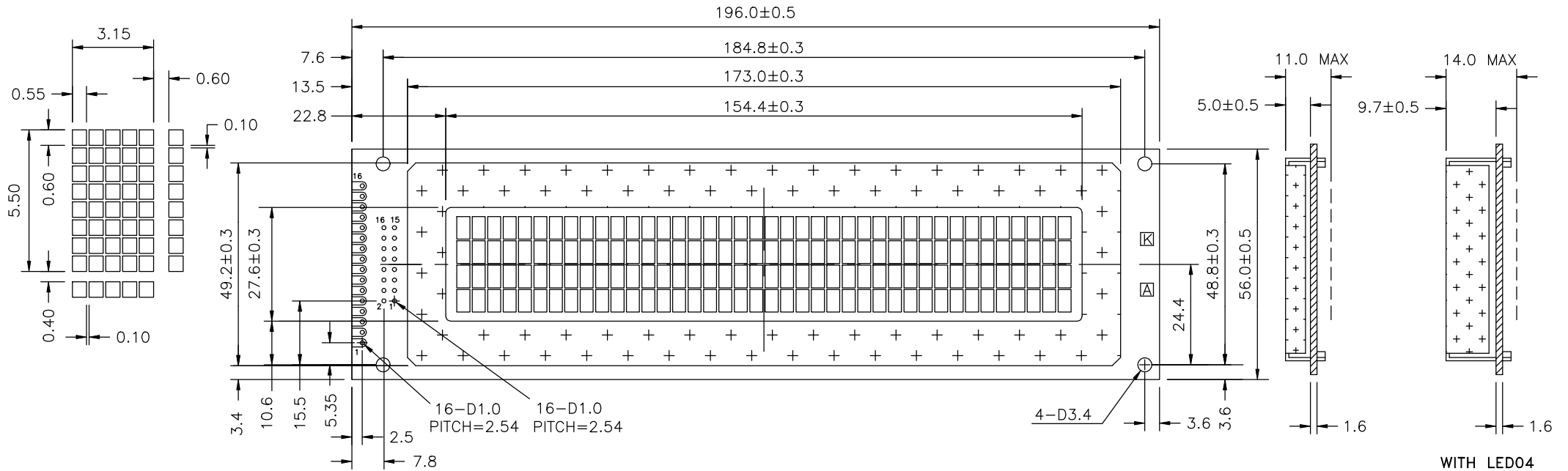


40 CHARACTERS X 4 LINES

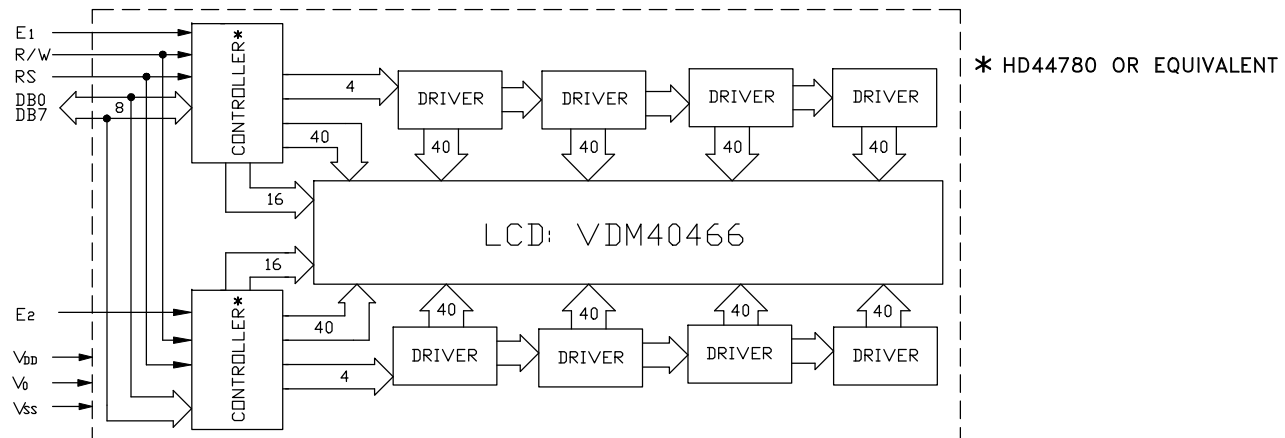
CHARACTER SIZE: 3.15W X 4.80H mm (5 X 7 DOTS)  
3.15W X 5.50H mm (5 X 8 DOTS)

# MDL(S)-40466



WITH LED04

16 PIN CONNECTION	1	2	3	4	5	6	7	8	9	10	11	12	13	14	15	16
	VSS	VDD	V0	RS	R/W	N/C	DB0	DB1	DB2	DB3	DB4	DB5	DB6	DB7	E1	E2



\* HD44780 OR EQUIVALENT