

**MATERIALS & SPECIFICATIONS**

**HOUSING:**  
ALUMINUM 6061-T6, NICKEL PLATE PER  
SAE-AMS-2404

**INSULATOR:**  
LIQUID CRYSTAL POLYMER (LCP) PER  
ASTM D5138

**CONTACT:**  
BERYLLIUM COPPER PER ASTM B194,  
C17200, GOLD PLATED PER ASTM B488,  
(HARD GOLD) TYPE II CODE C, CLASS  
1.27

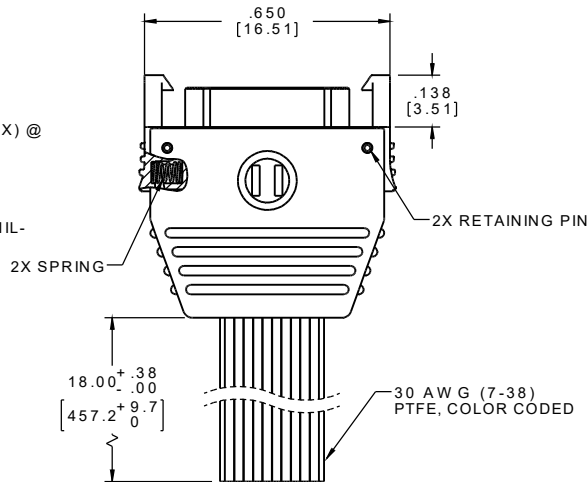
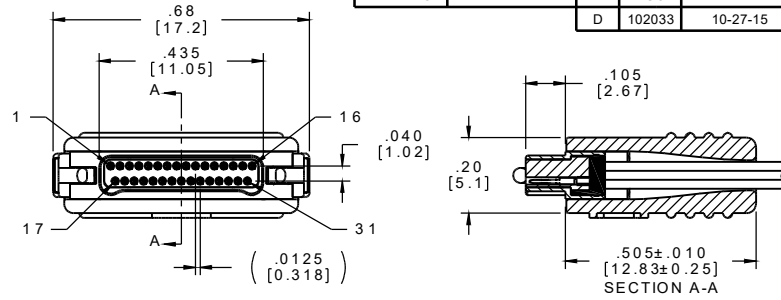
**WIRE:**  
NEMA HP3 TYPE ET, COLOR CODED IAW  
MIL-STD-681, SYSTEM 1, USING TEN  
SOLID REPEATING COLORS

**HARDWARE:**  
17-7 STAINLESS STEEL

**CURRENT RATING:**  
1 AMP MAX PER MIL-DTL-32139

**CONTACT RESISTANCE:**  
71 MILLIOHM MAX (71mV DROP MAX) @  
1.0 AMPS PER MIL-DTL-32139

**PERFORMANCE:**  
PRODUCT FAMILY TESTED TO AND  
PASSED THE PERFORMANCE  
SPECIFICATIONS OF TABLE VIII OF MIL-  
DTL-32139



| PIN #         | COLOR  |
|---------------|--------|
| 1, 11, 21, 31 | BLACK  |
| 2, 12, 22     | BROWN  |
| 3, 13, 23     | RED    |
| 4, 14, 24     | ORANGE |
| 5, 15, 25     | YELLOW |
| 6, 16, 26     | GREEN  |
| 7, 17, 27     | BLUE   |
| 8, 18, 28     | VIOLET |
| 9, 19, 29     | GRAY   |
| 10, 20, 30    | WHITE  |

**INTERNAL USE ONLY**  
**USE MFG LOADING**  
**PROCEDURE A28000-031**

NOTE:

DIMENSIONS IN [ ] ARE IN  
MILLIMETERS UNLESS  
OTHERWISE NOTED AND ARE  
FOR REFERENCE ONLY

|                      |   |
|----------------------|---|
| THIRD ANGLE          | THIS DRAWING CONTAINS CONFIDENTIAL AND PROPRIETARY INFORMATION WHICH IS THE PROPERTY OF OMNETICS CONNECTOR CORP. THIS DOCUMENT MAY NOT IN WHOLE OR IN PART BE DUPLICATED OR DISCLOSED FOR ANY PURPOSE, WITHOUT WRITTEN PERMISSION FROM OMNETICS CONNECTOR CORP. |
| -TOLERANCES-         |   |
| DIMENSIONS IN INCHES | DATE  |
| 2 P L D E C ± .01    | DFTM, JPF 01-28-08  |
| 3 P L D E C ± .005   | CHK'D   |
| 4 P L D E C ± .0005  | APP'D   |
| ANGLES ± 1°          |   |

**OMNETICS**  
CONNECTOR CORPORATION  
7260 COMMERCE CIRCLE EAST  
MINNEAPOLIS, MN 55432  
WWW.OMNETICS.COM

|                    |     |
|--------------------|-----|
| CAGE CODE 61873    | REV |
| DWG NO. A28050-031 | D   |
| SHEET 1 OF 1       |     |
| SCALE: 3:1         |     |

TITLE:  
(31) PIN MALE  
LATCHING Bi-Lobe®  
CONNECTOR